



1,200-lb Electromagnetic Locks

- E-941SA-1200** *UL Listed*
- E-941SA-1K2PQ** *With bond sensor, status LED, UL listed*
- E-941SA-1K2PD** *With bond sensor, status LED*

Features:

- 1,200-lb Holding force
- Anodized aluminum housing (US 28)
- Selectable 12/24 VDC operation
- No residual magnetism
- MOV surge protection
- Adjustable mounting bracket
- Complete mounting hardware for typical installations
- "L" and "Z" brackets available for easy mounting
- Detachable faceplate

E-941SA-1K2PQ Only:

- Built-in dual-colored status LED and bond sensor to indicate locking status
- Bond sensor relay rated 3A@12VDC

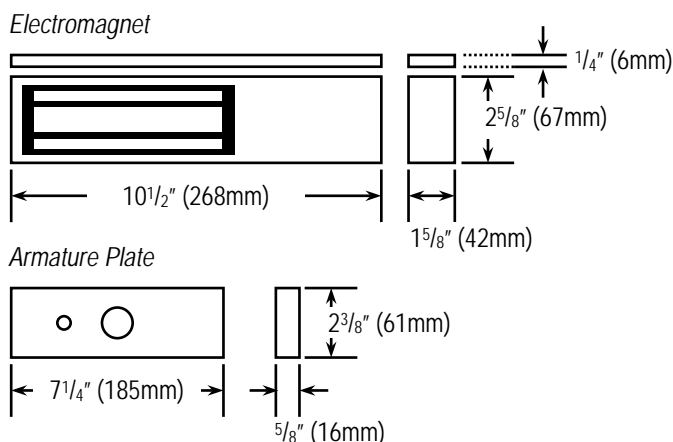
E-941SA-1K2PD Only:

- Built-in dual-colored status LED and bond sensor to indicate locking status
- Built-in timer, 1~78 seconds



E-941SA-1200 shown

Dimensions:



Specifications:

Model	SA-1200	SA-1K2PQ	SA-1K2PD
Holding force	1,200-lb (545kg)		
Operating voltage	12/24 VDC ± 10%		
Current draw	12VDC	500mA@12VDC	
	24VDC	250mA@24VDC	
Bond sensor relay	3A@12VDC		
Operating temperature	14°~131° F (-10°~55° C)		
Weight	11-lb (5kg)		
Bond sensor relay		✓	✓
Status LEDs		✓	✓
Built-in timer			✓

	80-lb Mini Electromagnetic Locks
	• E-941SA-80Q <i>80-lb Holding force</i>
	300-lb Electromagnetic Locks
	• E-941SA-300 <i>Weatherproof</i>
	• E-941SA-300RQ <i>Reversible</i>
	600-lb Electromagnetic Locks
	• E-941SA-600 <i>600-lb Holding force</i>
	• E-941SA-600PQ <i>Bond sensor, LED</i>

SECO-LARM® U.S.A., Inc.

16842 Millikan Avenue, Irvine, CA, 92606
 Tel (CA & Int'l): (949) 261-2999 | (800) 662-0800
 Website: www.seco-larm.com | Email: sales@seco-larm.com