

50ft Reflective Photoelectric Beam Sensor

E-931-S50RRGQ Range: Up to 50ft (15m)



Features:

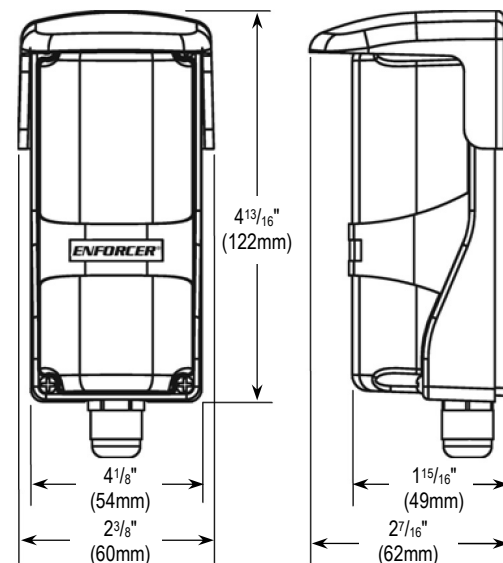
- Up to 50ft (15m) range
- For outdoor gates, garage doors, etc.
- Weatherproof (IP55) construction for indoor/outdoor use
- Anti-condensation housing
- Dual-color LED alignment system
- Form C relay: 500mA@30VAC/VDC
- Tamper switch: N.C. 500mA@30VAC/VDC
- 3 1/4" (82mm) Round reflector with hood included
- Compact size
- Monitored output:
 - N.C.
 - 10k Ω Resistor



Specifications:

Model	E-931-S50RRGQ	
Type	Reflective Photoelectric Beam Sensor	
Sensing Range	50ft (15m)	
Operating Voltage	12-30V DC/AC 60Hz, 100mA	
Current draw	Standby	55mA@12VDC
	Active	40mA@12VDC
Response time	10ms	
Light source	IR LED	
LED	Solid green	Good beam signal, properly aligned
	Alternating flash	Poor beam signal
	Solid red	No beam signal, triggered
Trigger Output	SPDT Relay output (NO/NC/COM, with built-in 10kΩ resistor on NO output)	
Switching capacity	500mA@30VAC/VDC	
Tamper switch	500mA@30VAC/VDC	
IP Rating	IP55	
Operating temperature	-13°~140°F (-25°~60°C)	

Dimensions:



SECO-LARM® U.S.A., Inc.

16842 Millikan Avenue, Irvine, CA 92606

Phone: (949) 261-2999 | (800) 662-0800 Fax: (949) 261-7326

Website: www.seco-larm.com Email: sales@seco-larm.com



Copyright © 2019 SECO-LARM U.S.A., Inc. All rights reserved.
 All trademarks are the property of SECO-LARM U.S.A., Inc. or their respective owners.
 The SECO-LARM policy is one of continual development. For that reason, SECO-LARM reserves the right to change prices and specifications without notice. SECO-LARM is not responsible for misprints.
SECO-LARM® ENFORCER® CRIMEBUSTER® CBA® SLI®