

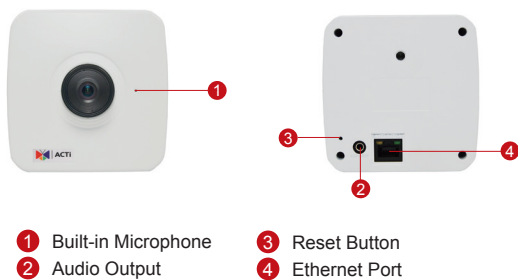
E11

1MP Cube with Basic WDR, Fixed Lens



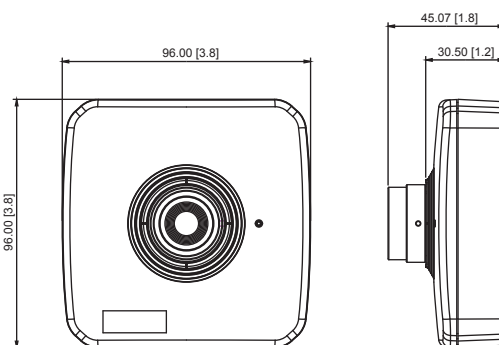
- 1 Megapixel with 720p
- Fixed Lens with f4.2mm/ F1.8
- Basic WDR (69 dB)
- 30 fps at 1280 x 720

PHOTO INDICATION





- 1 Built-in Microphone
- 2 Audio Output
- 3 Reset Button
- 4 Ethernet Port

DIMENSION DIAGRAM



Unit: mm [inch]

ACCESSORY OPTIONS

Lens		
PLEN-0119		IR Compatible, Fixed Iris, F2.0, 2.8 mm, 72°
PLEN-0131		IR Compatible, Fixed Iris, F1.4, 3.3~9 mm, 62°~24.7°

PRODUCT SPECIFICATION**E11****• Device**

Device Type	Cube Camera
Image Sensor	Progressive Scan CMOS
Sensor Size	1/4"
Day / Night	No
Superior Low Light Sensitivity	No
Minimum Illumination	Color: 0.1 lux at F1.8 (30 IRE, 2400 °K)
Mechanical IR Cut Filter	No
IR Sensitivity Range	No
Electronic Shutter	1/5 ~ 1/2,000 sec (manual mode); 1/5 ~ 1/10,000 sec (auto mode)

• Lens

Focal Length / Aperture	Fixed focal, f4.2 mm / F1.8
Iris	Fixed iris
Focus	Manual focus
Lens Mount	CS mount (interchangeable lens)
Horizontal Viewing Angle	53.8°

• Video

Compression	H.264 HP, MJPEG
Max. Frame Rate vs. Resolution	30 fps at 1280 x 720; 30 fps at 640 x 480; 15 fps 320 x 240
Multi-Streaming	Simultaneous dual streams based on two configurations
Bit Rate	28 Kbps - 6 Mbps (per stream)
Bit Rate Mode	Constant, Variable
Image Enhancement	Basic WDR (69 dB) ; White balance: automatic, hold, and manual; Brightness; Contrast; Sharpness (auto); Auto gain control; Digital noise reduction; Flickerless
Privacy Mask	4 configurable regions
Text Overlay	User defined text on video
Image Orientation	Image flip and mirror

• Audio

Compression	8kHz, Mono, PCM, 16 bit encoding; G.711
Audio-In	Built-in microphone
Audio-Out	3.5mm phone jack

• Network

Protocol & Service	TCP, UDP, HTTP, HTTPS, DHCP, PPPoE, RTP, RTSP, IPv6, DNS, DDNS, NTP, ICMP, ARP, IGMP, SMTP, FTP, UPnP, SNMP, Bonjour
Ethernet Port	1, Ethernet (10/100 Base-T), RJ-45 connector
Security	IP address filtering; HTTPs encryption; Password protected user levels; Anonymous login; IEEE802.1X network access control

• Alarm

Alarm Trigger	Video motion detection (3 regions)
Alarm Response	Notify control center; Change camera settings; Command other devices; E-mail notification with snapshots; Upload video, Snapshot to FTP server

• General

Power Source / Consumption	PoE Class 2 (IEEE802.3af) / 3.15 W
Weight	205 g (0.45 lb)
Dimensions (W x H x D)	96 mm x 96 mm x 45.07 mm (3.8" x 3.8" x 1.8")
Bundled Accessories	Bracket
Mount Type	Wall, Ceiling
Starting Temperature	-10°C ~ 45°C (14°F ~ 113°F)
Operating Temperature	-10°C ~ 45°C (14°F ~ 113°F)
Operating Humidity	10% ~ 85% RH
Approvals	CE (EN 55022 Class B, EN 55024), FCC (Part15 Subpart B Class B)

• Integration

Unified Solution	Fully compatible with ACTi software
ISV Integration	Software Development Kit (SDK) available; ONVIF compliant
Firmware Access Browser	Microsoft Internet Explorer 8.0 or newer (full functionality) Safari with QuickTime installed, and other browsers with VLC installed (partial functionality)