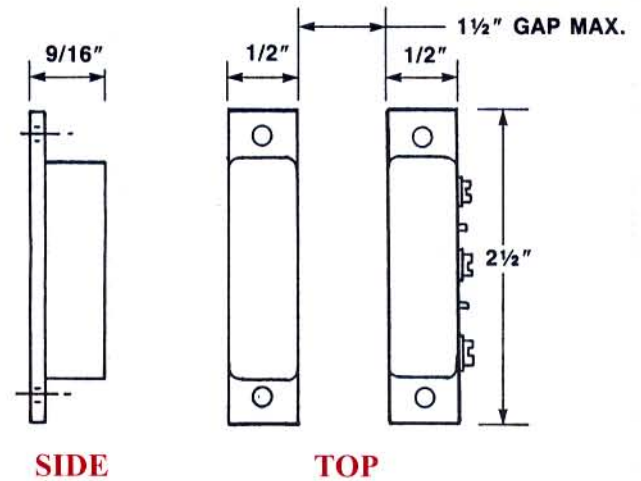




9200 SERIES DOOR STATUS SWITCHES



**#9200
SURFACE MOUNT**



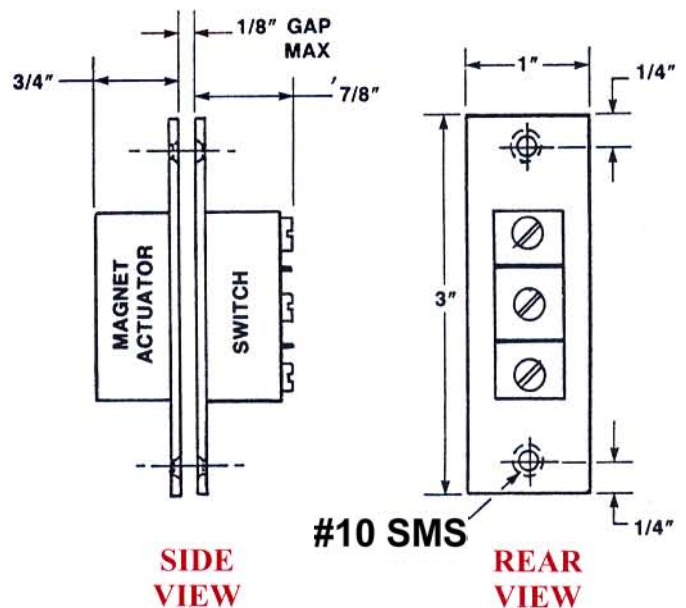
DESCRIPTION:

The #9200 Surface Mounted Door Status Switch Assembly provides a means of low cost door position reporting when concealment isn't possible or not important. Most frequently used for door interlocks and local/remote door monitoring.

Clearly marked SPDT contacts rated at .5A @ 30V. Color Brown.



**#9250
MORTISE MOUNT**



DESCRIPTION:

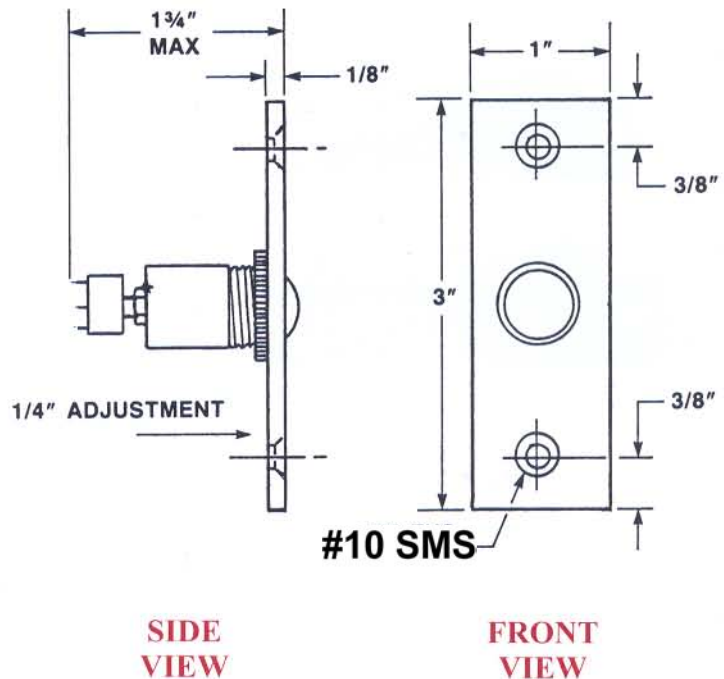
The #9250 Mortise Mounted Door Status Switch Assembly provides a means of concealed door position reporting. Most frequently used for door interlocks and local/remote door monitoring.

Clearly marked SPDT contacts rated at .5A @ 30V. Finish US28D Satin Aluminum

9200 SERIES DOOR STATUS SWITCHES



**#9275 SPDT-9280 DPDT
BALL TYPE
MORTISE MOUNTED**



DESCRIPTION:

#9275 and #9280 Mortise Mount Ball type door status switch assembly is recommended when mortise mounting, but not necessarily total concealment is required, with a switch contact rating higher than the Series #9200 and #9250. The switch body is adjustable in the mounting plate to accommodate 1/16" thru 1/4" door gaps. An overtravel feature is built-in to the assembly preventing damage to the switch itself should the ball be activated flush to the exposed threaded end. SPDT Switch contact ratings for the #9275 and #9280 are 1A. at 120 VAC. The #9280 is frequently used when the primary set of SPDT contacts are used for isolated door position monitoring and the second set of SPDT contacts are used for interlocks or interfacing with auto door equipment.

FOR ADDITIONAL
INFORMATION CONTACT

 **DynaLock Corp.**

705 Emmett Street • P.O. Box 2728 • Bristol, CT 06011-2728

TEL: (860) 582-4761 • FAX: (860) 585-0338

TOLL FREE: 1-877-DYNALOCK

e-mail: info@dynalock.com