

6000 Series

Exit Controls & Monitor Stations

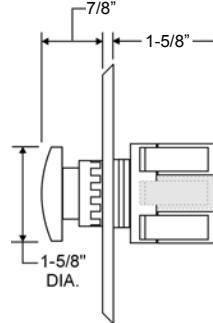
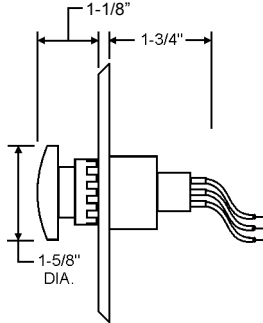
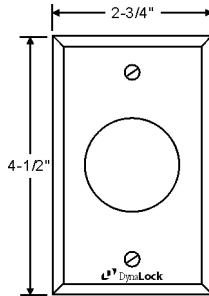


LIFE SAFETY PRODUCTS

FULLY INTEGRATED SECURITY SYSTEMS
Electromagnetic Locks | Controls | Power Supplies

Exit Controls

1-5/8" Diameter Red Plastic Mushroom Button



Specifications

Contact rating: 6 Amps @ 125VAC / UL
Terminations: 6210, 6220: 7" Color-Coded 18AWG Leads
 6230: Screw Terminals
Faceplate: Single-Gang (Narrow & Double Available)
Finish: US32D Brushed Stainless Steel
 (Others Available)

6210

SPDT A-A Contacts

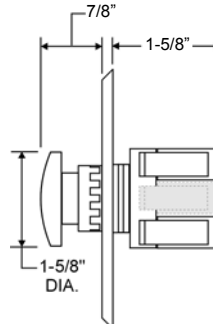
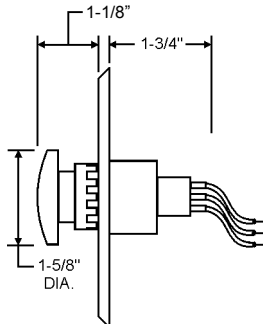
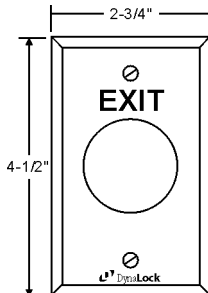
6220

DPDT A-A Contacts

6230

FORM Z MOM Contacts
 (SPDT-Double Break)

1-5/8" Diameter Red Plastic Mushroom Button, Marked "EXIT"



Specifications

Contact rating: 6 Amps @ 125VAC / UL
Terminations: 6211, 6221: 7" Color-Coded 18AWG Leads
 6231: Screw Terminals
Faceplate: Single-Gang (Narrow & Double Available)
Finish: US32D Brushed Stainless Steel
 (Others Available)
Signage: Silkscreened "EXIT" In Red Letters

6211

SPDT A-A Contacts

6221

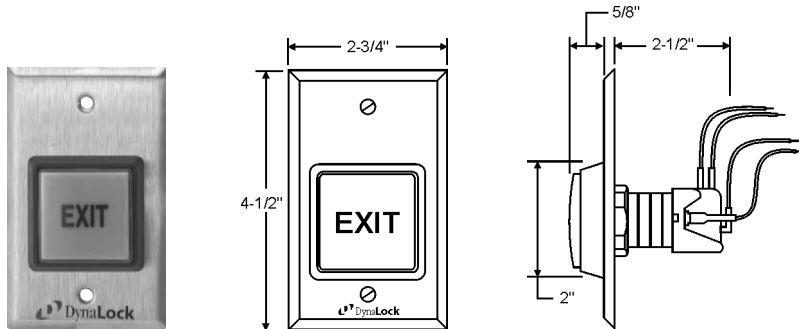
DPDT A-A Contacts

6231

FORM Z MOM Contacts
 (SPDT-Double Break)

See back page for options, available special finishes & switch terminology

2" Square Plastic Illuminated Button



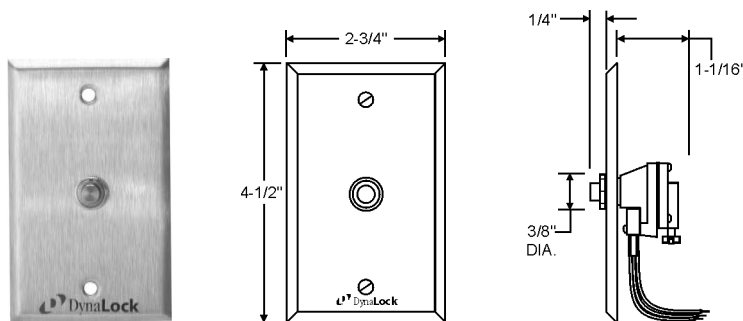
6270

SPDT MOM Contacts with
Illuminated Green Button

Specifications

Contact Rating: 10 Amps @ 125VAC / UL
Illumination: 12/24 VDC
Terminations: 7" Color-Coded 18AWG Leads
Faceplate: Single-Gang (Double Available)
Finish: US32D Brushed Stainless Steel (Others Available)
Signage: "EXIT" in Black Letters

3/8" Diameter Stainless Steel Time Delay Button



6275

FORM Z Contacts
(SPDT-Double Break)
with 0-60 Second Pneumatic Delay

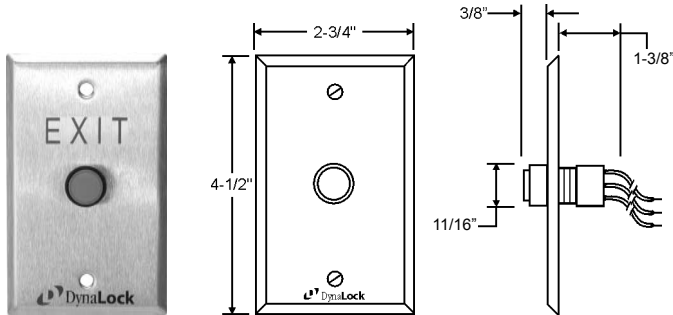
Specifications

Contact Rating: 10 Amps @ 125VAC / UL
Terminations: 7" Color-Coded 18AWG Leads
Faceplate: Single-Gang (Narrow & Double Available)
Finish: US32D Brushed Stainless Steel (Others Available)

See back page for options, available special finishes & switch terminology

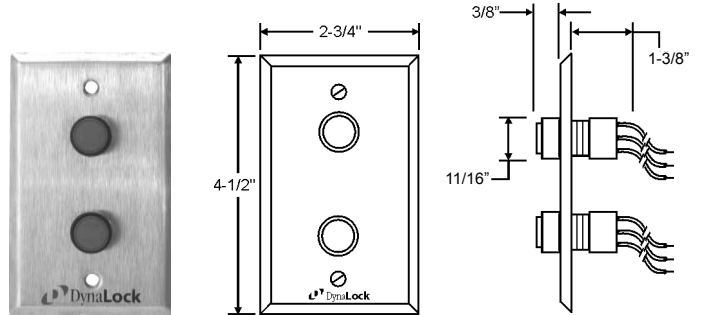
Exit Controls

6100 Series 5/8" Diameter Green Plastic Button



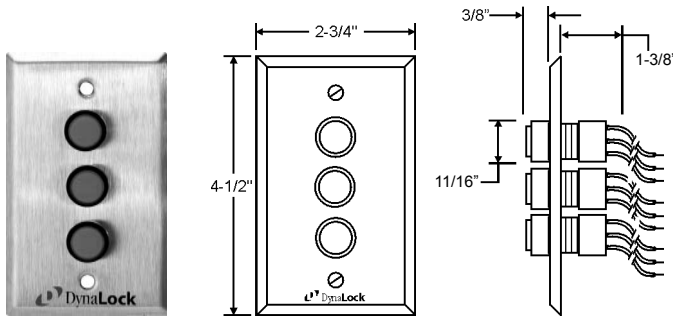
6115M
SPDT MOM Contacts

6115A
SPDT A-A Contacts



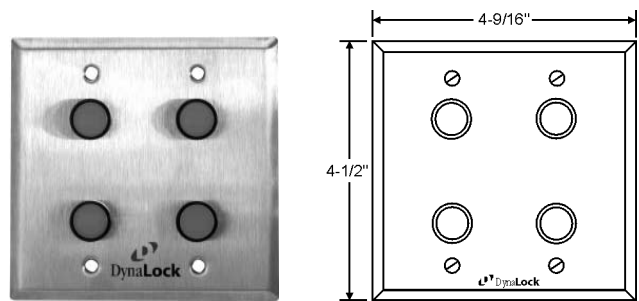
6125M
SPDT MOM Contacts x 2

6125A
SPDT A-A Contacts x 2



6135M
SPDT MOM Contacts x 3

6135A
SPDT A-A Contacts x 3



6145M
SPDT MOM Contacts x 4

6145A
SPDT A-A Contacts x 4

Specifications

- Contact Rating:** 5 Amps @ 125VAC / UL
- Terminations:** 7" Color-Coded 18AWG Leads
- Faceplate:** 6115, 6125 & 6135 Single-Gang
(Narrow & Double Available)
6145 Double-Gang
- Illumination:** Optional. Current Draw 15mA @ 24VDC /
10mA @12VDC.
- Finish:** US32D Brushed Stainless Steel
(Other Finishes Available)

See back page for options, available special finishes & switch terminology

5/8" Diameter Green Plastic Surface Mount Button

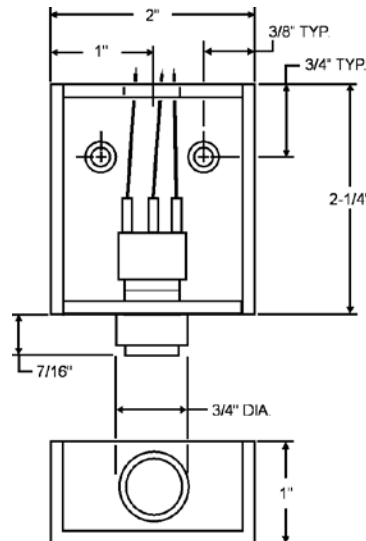


6335

SPDT A-A
Contacts

6336

SPDT MOM
Contacts

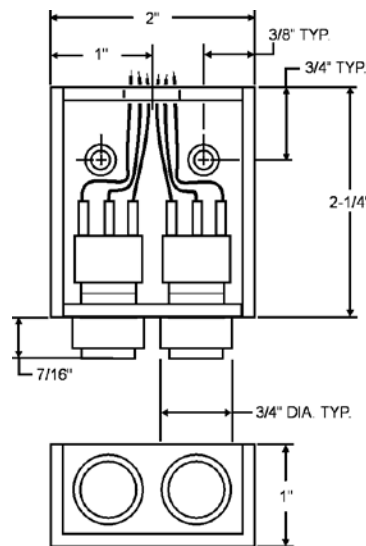


6337

SPDT A-A
Contacts x 2

6338

SPDT MOM
Contacts x 2



Specifications

Contact Rating: 5 Amps @ 125VAC / UL
Terminations: 7" Color-Coded 18AWG Leads
Illumination: (optional) Current Draw 15mA @ 24VDC, 10mA @ 12VDC
Finish: US28 Satin Aluminum Anodized (Other Finishes Available)

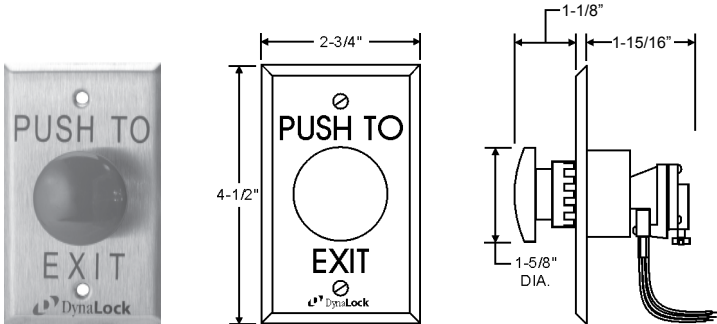
Description

Ideal for under the desk or counter, for control of electronic locks.

See back page for options, available special finishes & switch terminology

Code Compliant Exit Controls

1-5/8" Diameter Red Plastic Time Delay Mushroom Button - NFPA 101



6290

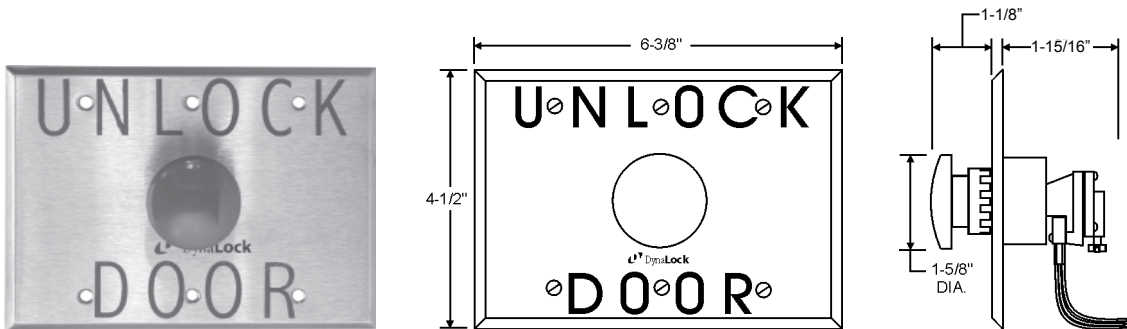
FORM Z Contacts (SPDT-Double Break)
with 0-60 second Pneumatic Delay, factory
preset to 30 seconds.

Specifications

Contact rating: 10 Amps @ 125VAC / UL
Terminations: 7" Color-Coded 18AWG Leads
Faceplate: Single-Gang (Narrow & Double Available)
Finish: US32D Brushed Stainless Steel (Others Available)
Signage: Silkscreened "PUSH TO EXIT" in Red

**Complies With Life Safety Code
NFPA 101, 2003
Access Controlled Egress Doors
Sec. 7.2.1.6.2**

1-5/8" Diameter Red Plastic Time Delay Mushroom Button - City of Denver



6291

FORM Z Contacts (SPDT-Double Break)
with 0-60 Second Pneumatic Delay

Specifications

Contact Rating: 10 Amps @ 125VAC / UL
Terminations: 7" Color-Coded 18AWG Leads
Faceplate: Three-Gang
Finish: US32D Brushed Stainless Steel (Others Available)
Signage: Silkscreened "UNLOCK DOOR" in Red

**Complies With City of Denver
Access Control Policy Statement
1994, Paragraph 4**

See back page for options, available special finishes & switch terminology

Weatherproof Pushbutton



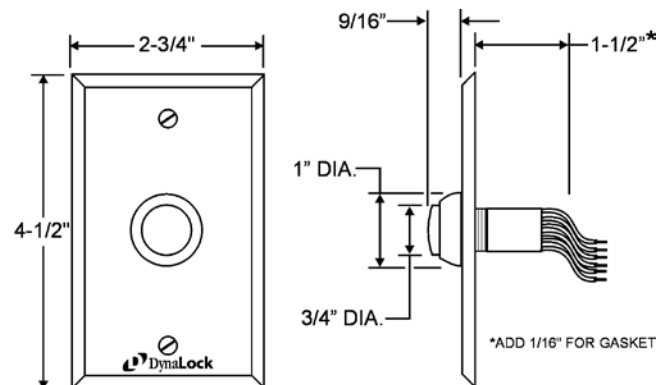
All models are momentary-action and include green LED backlit button (shown illuminated).

Description

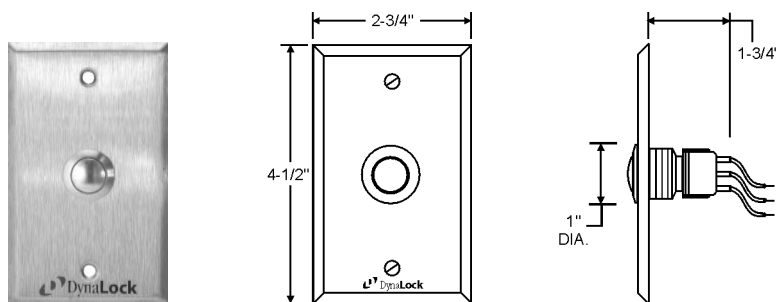
The 6170 Series is specifically designed to withstand outdoor exposure to the elements and other harsh environments, with commercial-grade switch assembly, completely sealed against moisture and dust intrusion.

Specifications

- Contacts:** Form Z (SPDT-Double Break)
3A @ 115VAC / UL
- LED Backlight:** Green
10mA @ 12/24VDC (Selectable)
- Ratings:** Water-tight to IP68
Moisture-proof to IP64
Dust-tight to IP64
- Operating Temp:** -67°F to +185°F
- Terminations:** 7" color coded 18 AWG leads



1" Diameter Stainless Steel Vandal/Weather Resistant Button



Specifications

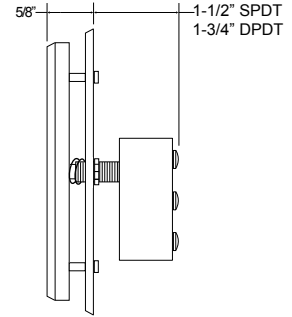
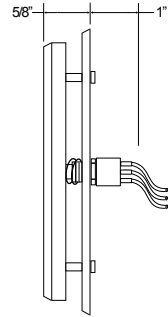
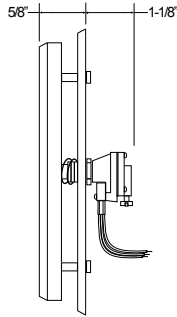
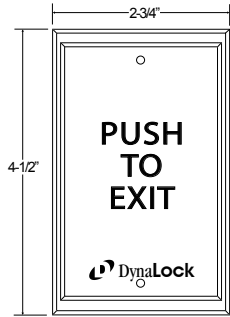
- Contact Rating:** 6280 1 Amp @ 125VAC / UL
6282 3 Amps @ 125VAC / UL
- Terminations:** 7" Color-Coded 18AWG Leads
- Faceplate:** Single-Gang (Narrow & Double Available)
- Finish:** US32D Brushed Stainless Steel (Others Available)

- 6280**
SPDT MOM Contacts
- 6282**
SPDT A-A Contacts

See back page for options, available special finishes & switch terminology

Heavy Duty Vandal Resistant Pushplates

Single Gang - PUSH TO EXIT



Specifications

Contact rating: 6700: 10 Amps @ 125VAC / UL
All Others: 6 Amps @ 125VAC / UL

Terminations: 7" Color-Coded 18AWG leads or screw terminals

Signage: Engraved "PUSH TO EXIT" in black letters

Finish: US28 Satin Aluminum (others available)

6700

FORM Z Contacts (SPDT-Double Break) with 0-60 Second Pneumatic Delay

6710

SPDT A-A Contacts

6720

DPDT A-A Contacts

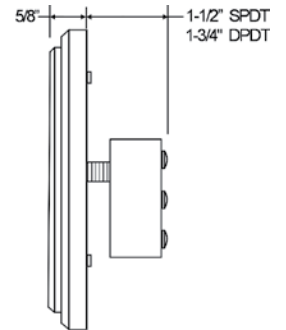
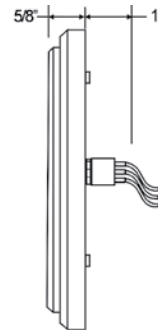
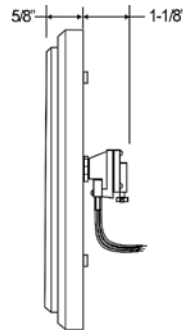
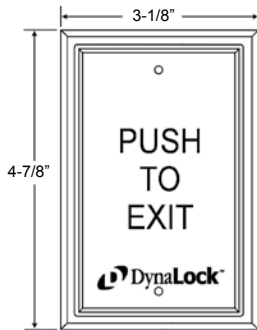
6730

SPDT MOM Contacts All Active Operation

6740

DPDT MOM Contacts All Active Operation

Single Gang - PUSH TO EXIT - Recessed Style



Specifications

Contact rating: 6750: 10 Amps @ 125VAC / UL
All Others: 6 Amps @ 125VAC / UL

Terminations: 7" Color-Coded 18AWG leads or screw terminals

Signage: Engraved "PUSH TO EXIT" in black letters

Finish: US28 Satin Aluminum (others available)

6750

FORM Z Contacts (SPDT-Double Break) with 0-60 Second Pneumatic Delay

6751

SPDT A-A Contacts

6752

DPDT A-A Contacts

6753

SPDT MOM Contacts All Active Operation

6754

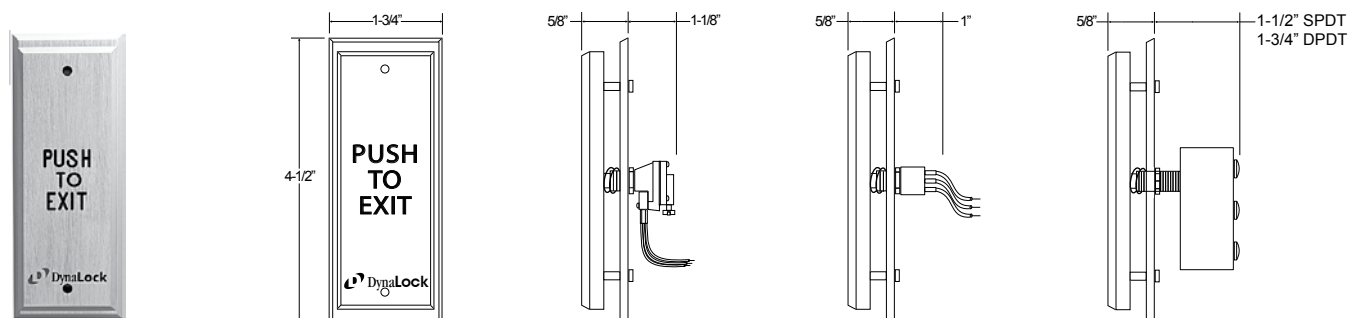
DPDT MOM Contacts All Active Operation

See back page for options, available special finishes & switch terminology

Heavy Duty Vandal Resistant Pushplates



Mullion/Narrow - PUSH TO EXIT



Specifications

Contact rating: 6800: 10 Amps @ 125VAC / UL
All Others: 6 Amps @ 125VAC / UL

Terminations: 7" Color-Coded 18AWG leads or screw terminals

Signage: Engraved "PUSH TO EXIT" in black letters

Finish: US28 Satin Aluminum (others available)

6800
FORM Z Contacts (SPDT-Double Break) with 0-60 Second Pneumatic Delay

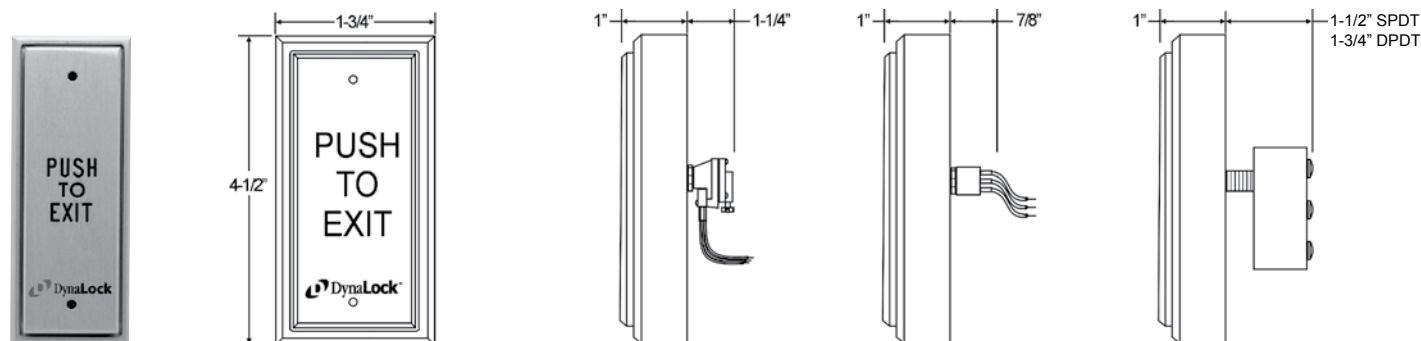
6810
SPDT A-A Contacts

6820
DPDT A-A Contacts

6830
SPDT MOM Contacts All Active Operation

6840
DPDT MOM Contacts All Active Operation

Mullion/Narrow - PUSH TO EXIT - Recessed "Semi-Flush" Style



Specifications

Contact rating: 6850: 10 Amps @ 125VAC / UL
All Others: 6 Amps @ 125VAC / UL

Terminations: 7" Color-Coded 18AWG leads or screw terminals

Signage: Engraved "PUSH TO EXIT" in black letters

Finish: US28 Satin Aluminum (others available)

6850
FORM Z Contacts (SPDT-Double Break) with 0-60 Second Pneumatic Delay

6851
SPDT A-A Contacts

6852
DPDT A-A Contacts

6853
SPDT MOM Contacts All Active Operation

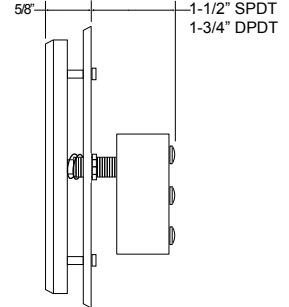
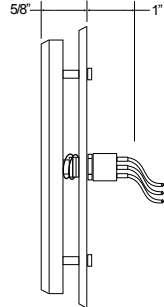
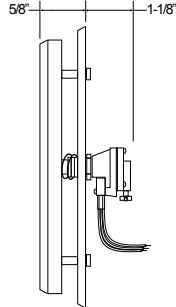
6854
DPDT MOM Contacts All Active Operation

Specifically designed for installation in aluminum store front frame, requiring minimal cut-out/preparation.

See back page for options, available special finishes & switch terminology

Heavy Duty Vandal Resistant Pushplates

Single Gang - Handicapped Symbol



Specifications

Contact rating: 6705: 10 Amps @ 125VAC / UL
All Others: 6 Amps @ 125VAC / UL

Terminations: 7" Color-Coded 18AWG leads or screw terminals

Signage: Engraved Blue Handicapped Symbol

Finish: US28 Satin Aluminum (others available)

6705

FORM Z Contacts (SPDT-Double Break) with 0-60 Second Pneumatic Delay

6715

SPDT A-A Contacts

6725

DPDT A-A Contacts

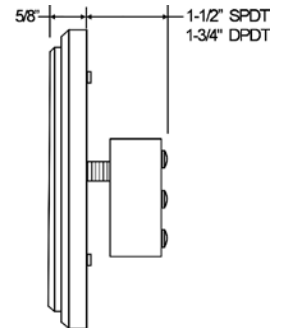
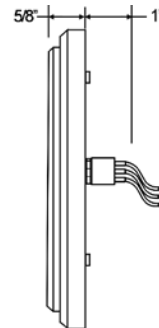
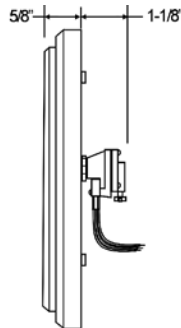
6735

SPDT MOM Contacts All Active Operation

6745

DPDT MOM Contacts All Active Operation

Single Gang - Handicapped Symbol - Recessed Style



Specifications

Contact rating: 6755: 10 Amps @ 125VAC / UL
All Others: 6 Amps @ 125VAC / UL

Terminations: 7" Color-Coded 18AWG leads or screw terminals

Signage: Engraved Blue Handicapped Symbol

Finish: US28 Satin Aluminum (others available)

6755

FORM Z Contacts (SPDT-Double Break) with 0-60 Second Pneumatic Delay

6765

SPDT A-A Contacts

6775

DPDT A-A Contacts

6785

SPDT MOM Contacts All Active Operation

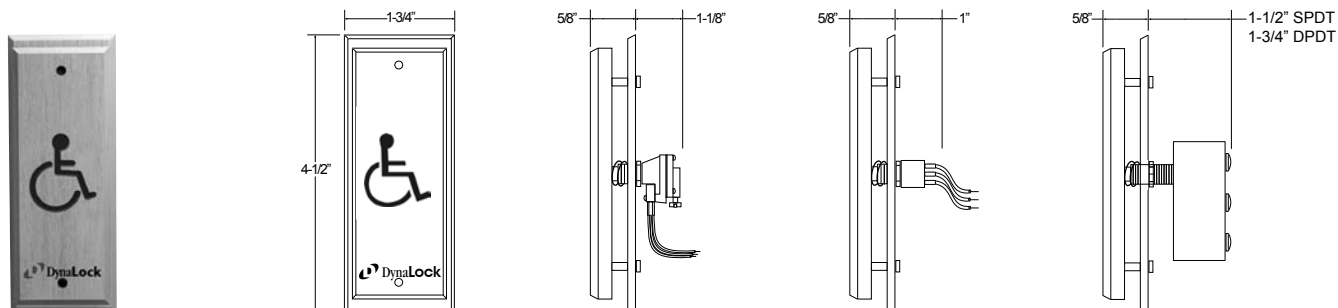
6795

DPDT MOM Contacts All Active Operation

See back page for options, available special finishes & switch terminology

Heavy Duty Vandal Resistant Pushplates

Mullion/Narrow - Handicapped Symbol



Specifications

Contact rating: 6805: 10 Amps @ 125VAC / UL
All Others: 6 Amps @ 125VAC / UL

Terminations: 7" Color-Coded 18AWG leads or screw terminals

Signage: Engraved Blue Handicapped Symbol

Finish: US28 Satin Aluminum (others available)

6805

FORM Z Contacts (SPDT-Double Break) with 0-60 Second Pneumatic Delay

6815

SPDT A-A Contacts

6825

DPDT A-A Contacts

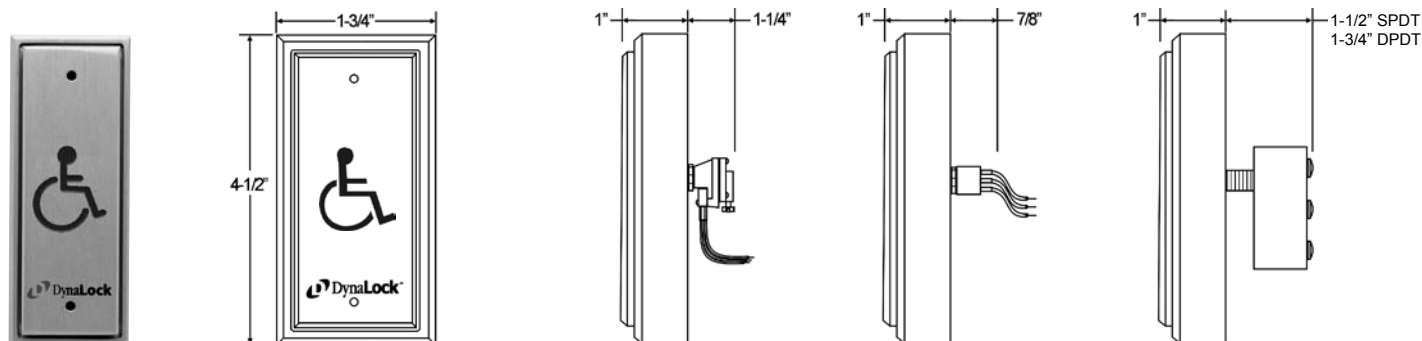
6835

SPDT MOM Contacts All Active Operation

6845

DPDT MOM Contacts All Active Operation

Mullion/Narrow - Handicapped Symbol - Recessed "Semi-Flush" Style



Specifications

Contact rating: 6855: 10 Amps @ 125VAC / UL
All Others: 6 Amps @ 125VAC / UL

Terminations: 7" Color-Coded 18AWG leads or screw terminals

Signage: Engraved Blue Handicapped Symbol

Finish: US28 Satin Aluminum (others available)

6855

FORM Z Contacts (SPDT-Double Break) with 0-60 Second Pneumatic Delay

6865

SPDT A-A Contacts

6875

DPDT A-A Contacts

6885

SPDT MOM Contacts All Active Operation

6895

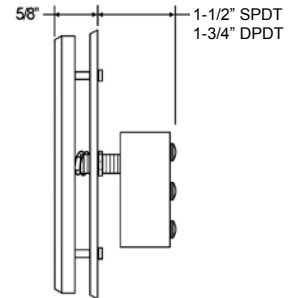
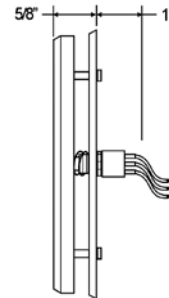
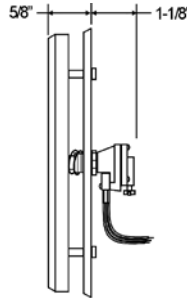
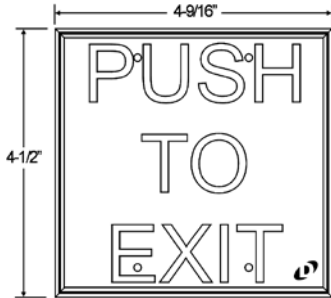
DPDT MOM Contacts All Active Operation

Specifically designed for installation in aluminum store front frame, requiring minimal cut-out/preparation.

See back page for options, available special finishes & switch terminology

Specialty Exit Controls

Double Gang Red Pushplate with Engraved White "PUSH TO EXIT"



Specifications

Contact rating: 6901: 10 Amps @ 125VAC / UL
All Others: 6 Amps @ 125VAC / UL

Terminations: 7" Color-Coded 18AWG leads or screw terminals

Signage: Engraved "PUSH TO EXIT", White, 1/8" Stroke, 1" Height

Finish: Anodized Red

Heavy Duty & Vandal Resistant

6901

FORM Z Contacts (SPDT-Double Break) with 0-60 Second Pneumatic Delay

6911

SPDT A-A Contacts

6931

SPDT MOM Contacts All Active Operation

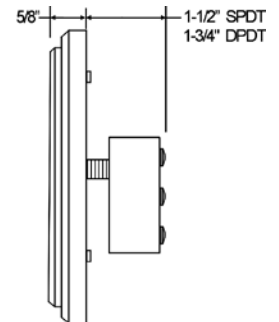
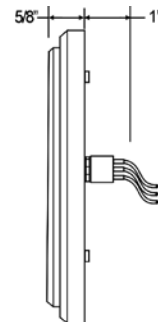
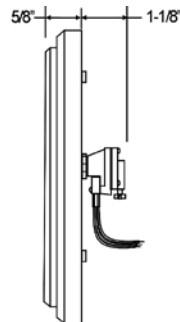
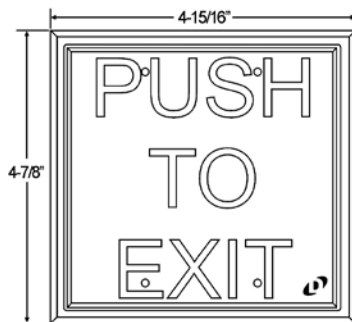
6921

DPDT A-A Contacts

6941

DPDT MOM Contacts All Active Operation

Double Gang Red Recessed-Style Pushplate with Engraved White "PUSH TO EXIT"



Specifications

Contact rating: 6951: 10 Amps @ 125VAC / UL
All Others: 6 Amps @ 125VAC / UL

Terminations: 7" Color-Coded 18AWG leads or screw terminals

Signage: Engraved "PUSH TO EXIT", White, 1/8" Stroke, 1" Height

Finish: Anodized Red

Heavy Duty & Vandal Resistant

6951

FORM Z Contacts (SPDT-Double Break) with 0-60 Second Pneumatic Delay

6961

SPDT A-A Contacts

6981

SPDT MOM Contacts All Active Operation

6971

DPDT A-A Contacts

6991

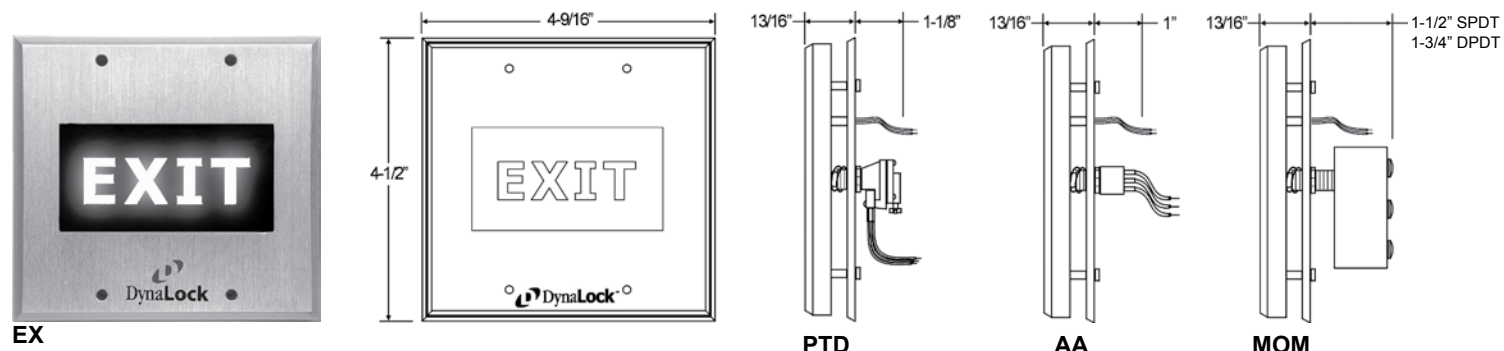
DPDT MOM Contacts All Active Operation

See back page for options, available special finishes & switch terminology

Specialty Exit Controls

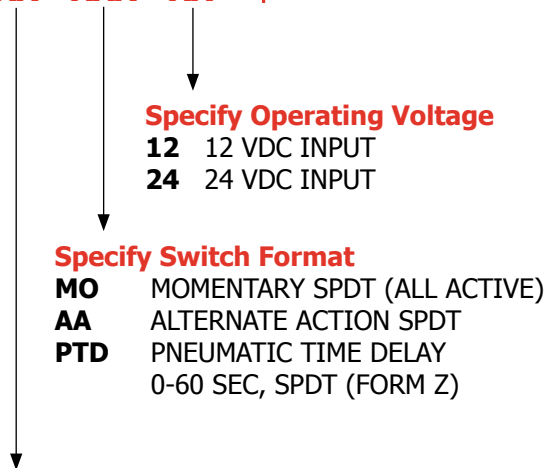


Double Gang Pushplate with "EL" Electroluminescent Illuminated Signage



Model Selection:

65 - XX - XXX - XX - *



Specify Operating Voltage

- 12** 12 VDC INPUT
- 24** 24 VDC INPUT

Specify Switch Format

- MO** MOMENTARY SPDT (ALL ACTIVE)
- AA** ALTERNATE ACTION SPDT
- PTD** PNEUMATIC TIME DELAY
0-60 SEC, SPDT (FORM Z)

Specify Signage

- EX** "EXIT"
- PE** "PUSH TO EXIT"
- OP** "OPEN"
- PO** "PUSH TO OPEN"
- SA** "SALIDA" SPANISH (EXIT)
- SO** "SORTIE" FRENCH (EXIT)
- ES** "EXIT/SALIDA" ENGLISH & SPANISH
- EF** "EXIT/SORTIE" ENGLISH & FRENCH
- AB** "ABRA" SPANISH (OPEN)
- OU** "OUVREZ" FRENCH (OPEN)
- OA** "OPEN/ABRA" ENGLISH & SPANISH
- OZ** "OPEN/OUVREZ" ENGLISH & FRENCH

Specifications

- Contact rating:** PTD: 10 Amps @ 125VAC / UL
All Others: 6 Amps @ 125VAC / UL
- Terminations:** 7" Color-Coded 18AWG Leads
- Current Draw:** 30mA @ 12 or 24 VDC

Lamp illuminates indefinitely. Optimal brightness up to 10,000 hours (continuous usage). Consult factory for field replacement.

Description

Double gang pushplates utilize electroluminescent "EL" flat light illuminated signage, providing enhanced visibility in smoke and/or darkness. Electroluminescent light is a true field-source emitter, having greater perceived brightness at considerable distances, helping occupants safely find the 6500 exit control, and the adjacent exit door in an emergency.

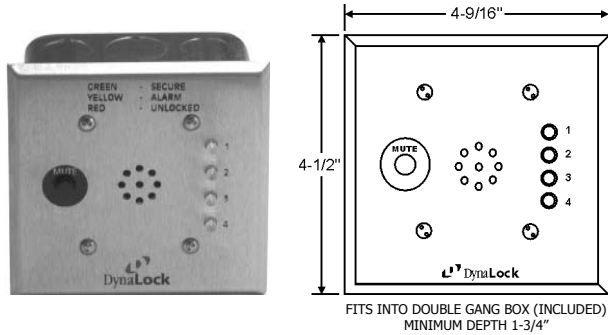
* Options

- DP** DPDT Switch (Not available with PTD option).
- SF** SPECIAL FINISH - US28 standard. US3, US4, US10, US13, US10B, US19, US26 available.
- CS** CUSTOM SIGNAGE - Special order. Consult factory for price and availability.

Example: 65 - PE - MO - 12 - US3 - DP

Monitor & Control Stations

Four-Zone Delay Egress Monitor & Control Station



6350

Four-Zone Delay Egress Monitor Station

Description

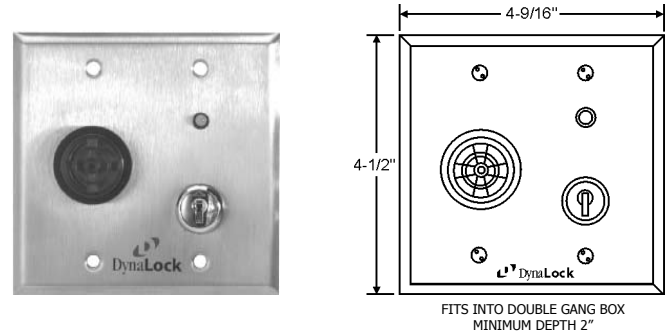
Four zone monitor station designed exclusively for use with DynaLock Series 3101B Delay Egress Locks equipped with the Dynastat Force Sensor Option (DYN). The 6350 is mounted on a standard two-gang plate and includes four bi-color LED indicators and one audible sounder, with mute switch, to visually and audibly signal delay egress status at a remote location.

The 6350 includes a two-gang masonry backbox and a Model 5312 12VAC plug-in transformer power supply. A three-conductor wire run is required between each Delay Egress Lock and the 6350, for full functioning.

Specifications

Input Voltage: 12 VDC/VAC / .042A
(12VAC plug-in transformer included)
Faceplate: Double-Gang
Finish: US32D Brushed Stainless Steel
(Others Available)

Single-Zone Delay Egress Monitor & Control Station



6370

Single-Zone Delay Egress Monitor & Control Station

Description

Single zone monitor & control station designed exclusively for use with DynaLock Series 3101B Delay Egress Locks equipped with the Dynastat Force Sensor Option (DYN). The 6370 is mounted on a standard two-gang plate and includes one bi-color LED indicator, audible sounder, and a reset/bypass keyswitch for status indication and control of delay egress lock at a remote station. An eight-conductor wire run is required between the 6350 and the lock for full functioning.

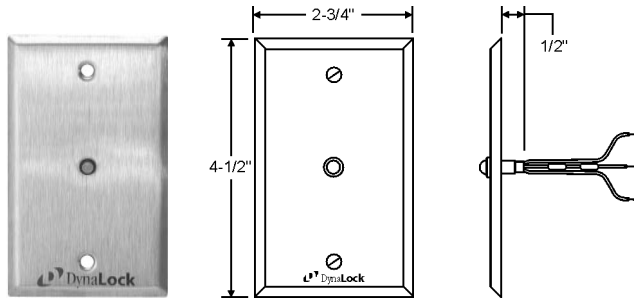
Specifications

Audible Input Voltage: 1-28V DC / .015 A
Audible Output: 90dB at 30 cm
LED Input Voltage: 12 or 24V DC (Field Selectable)
Keyswitch: 3101B Style - momentary reset/
maintained bypass
Faceplate: Double-Gang
Finish: US32D Brushed Stainless Steel
(Others Available)

Keyswitch, Audible, and LED have individual connections, and can be connected to the 3101B in a variety of ways. Please visit DynaLock.com for suggested wiring instructions.

See back page for options, available special finishes & switch terminology

Bi-Color LED Status Indicator



6010

Single Bi-Color LED

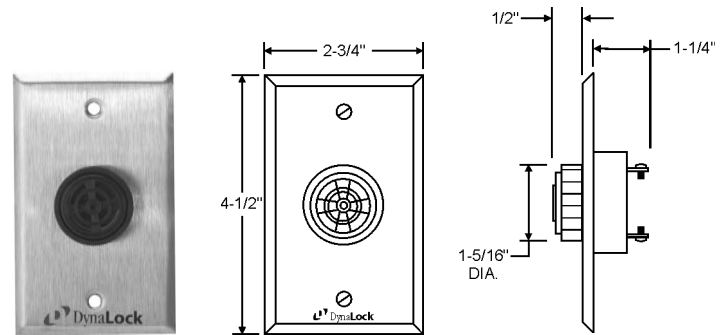
6020

Two Bi-Color LED's
(not pictured)

Specifications

Input Voltage: 12 or 24V DC (Field Selectable)
Terminations: 7" Color-Coded 22AWG Leads
LED Colors: Red or Green (Field Selectable)
Faceplate: Single-Gang (Narrow & Double Available)
Finish: US32D Brushed Stainless Steel (Others Available)

Audible Status Indicator



6300

Audible Station

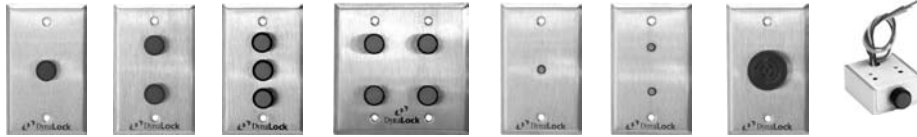
Specifications

Input Voltage: 1-28V DC / .015 A
Terminations: Screw Terminals
Output: 90dB at 30 cm
Faceplate: Single-Gang (Double Available)
Finish: US32D Brushed Stainless Steel (Others Available)

See back page for options, available special finishes & switch terminology

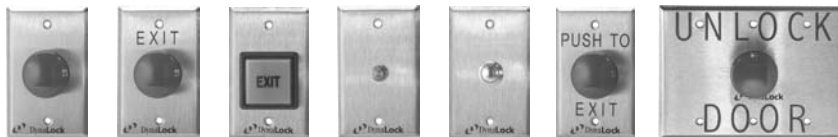
Options

6115-6145, 6010, 6020, 6300, 6335-6338 Models



- ATS** ANTI TAMPER SWITCH - signals removal of faceplate (not available on 6335-6338)
- AUD** AUDIBLE INDICATOR - 1-28VDC, 90dB, must also specify **DBL** option (not available on 6145)
- DBL** TWO GANG FACEPLATE - 4-9/16" wide, provides space for options
- ILM** ILLUMINATED PUSHBUTTON - specify 12 or 24VDC
- LED** BI-COLOR LED INDICATOR - 12 or 24VDC field-selectable, red/green indication
- NR** NARROW FACEPLATE - 1-3/4" wide (not available on 6145 or 6300)
- P2** DPDT CONTACTS - upgrade to DPDT contacts
- WPC** WEATHER PROOF COVER - single gang, flip cover (6115 only)
- SF** SPECIAL FINISHES - see below
- CSF** CUSTOM SILKSCREENED FACEPLATE - consult factory

6200 Series



- ATS** ANTI TAMPER SWITCH - signals removal of faceplate
- AUD** AUDIBLE INDICATOR - 1-28VDC, 90dB, must also specify **DBL** option (not available on 6291)
- DBL** TWO GANG FACEPLATE - 4-9/16" wide, provides space for options (not available on 6291)
- LED** BI-COLOR LED INDICATOR - 12 or 24VDC field-selectable, red/green indication
- NR** NARROW FACEPLATE - 1-3/4" wide (not available on 6270 or 6291)
- CB** CONTACT BLOCK - add one additional SPST contact to 6230/6231 (specify NO or NC)
- GRN** GREEN BUTTON - green plastic mushroom button (on any 1-5/8" diameter button models)
- SF** SPECIAL FINISHES - see below
- CSF** CUSTOM SILKSCREENED FACEPLATE - consult factory

Accessories

- BBX** WEATHERPROOF SURFACE BACK BOX - 2 5/8" deep, single gang

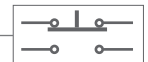
Special Finishes

- US3** BRIGHT BRASS
- US4** SATIN BRASS
- US10B** DARK BRONZE
- US26** BRIGHT CHROME
- US10** LIGHT BRONZE *
- US13** MEDIUM BRONZE *
- US19** BLACK SATIN *

* only available on pushplates

Switch Terminology

- A-A** ALTERNATE ACTION/MAINTAINED
- MOM** MOMENTARY ACTION
- NO** NORMALLY OPEN
- NC** NORMALLY CLOSED
- FORM Z** SINGLE POLE DOUBLE THROW, DOUBLE BREAK
- SPST** SINGLE POLE SINGLE THROW
- SPDT** SINGLE POLE DOUBLE THROW
- DPST** DOUBLE POLE SINGLE THROW
- DPDT** DOUBLE POLE DOUBLE THROW
- PTD** PNEUMATIC TIME DELAY (NON-ELECTRONIC, ADJUSTABLE RELOCK TIME)



DYNALOCK CORPORATION
 705 EMMETT STREET / PO BOX 2728
 BRISTOL, CT 06011-2728
 PHONE: 877-DYNALOCK / FAX: 860-585-0338
 E-MAIL: INFO@DYNALOCK.COM
 WEBSITE: WWW.DYNALOCK.COM

Featuring

DynaLife[®]
 Lifetime Warranty