

1400 Series

Dual Voltage Cabinet Lock



MODEL# 1410



MODEL# 1420

Description

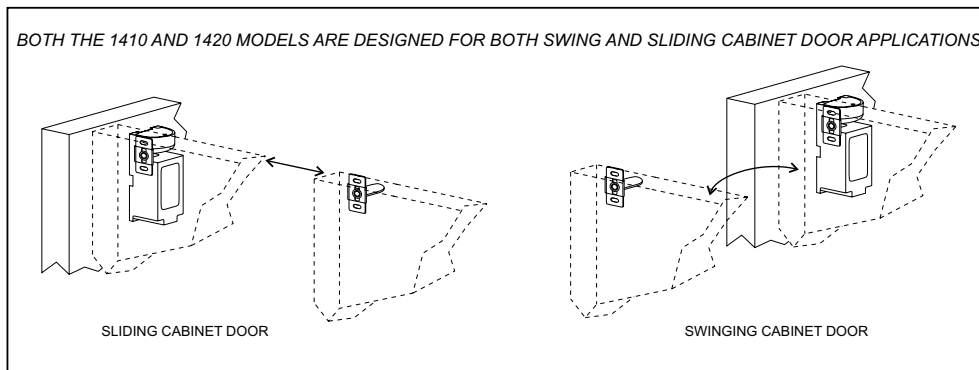
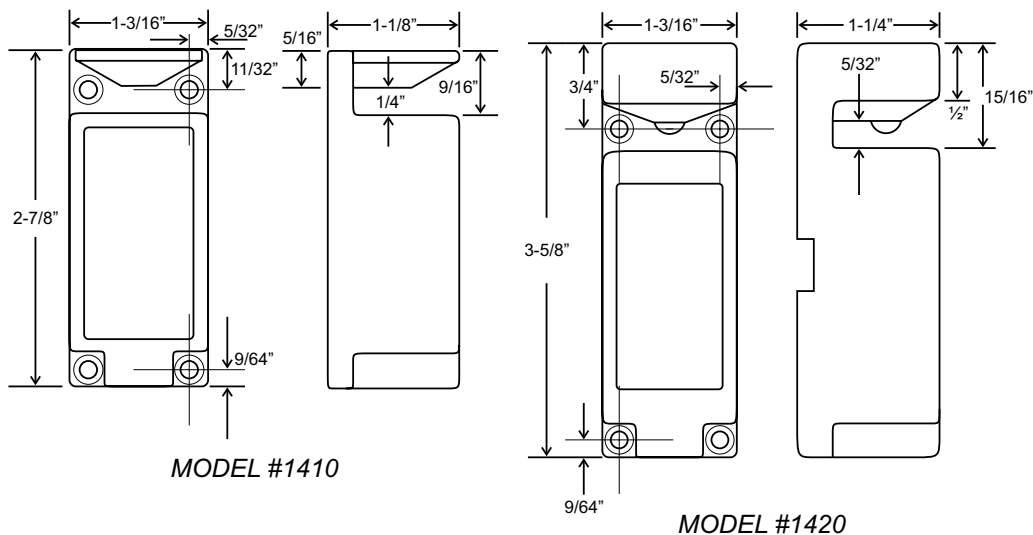
DynaLock 1400 Series Heavy Duty, Dual-Voltage Cabinet Locks are the ideal choice for securing any cabinet or drawer application. The 1400 Series offers an easy installation with self-adjusting alignment tabs as well as four counter-sunk mounting holes to ensure a secure top or side mount installation. Both the 1410 and 1420 models are equipped with fail-safe or fail-secure modes of operation as well as a 12V or 24V dual voltage field selectivity. The 1420 model offers dual outputs, to monitor the catch and locking pin.

Standard Features

- Surface-Mounted Compact Design
- Selectable Fail-Safe or Fail-Secure Operation
- 12/24V Field-Selectable Dual Voltage
- 440Lbs Holding Force
- Top or Side Mount
- Stainless Steel Locking Pin Assembly
- Low Energy Consumption
- Heavy Duty Metal Construction
- Dual SPDT Monitoring Outputs (1420 ONLY)
- 3 Year Limited Warranty

1400 Series Cabinet Lock Specifications

1400 SERIES SPECIFICATION		
	MODEL #1410	MODEL #1420
LOCK HOUSING	1-1/8"Dx1-3/16"Wx2-7/8"L	1-1/4"x1-3/16"Wx3-11/16"L
LOCKING PIN ASSEMBLY	3/16"	3/16"
OPERATING VOLTAGE	12VDC/24VDC	12VDC/24VDC
MODE OF OPERATION	FAIL LOCKED/UNLOCKED	FAIL LOCKED/UNLOCKED
CYCLE RATING	500,000 CYCLES	500,000 CYCLES
CURRENT CONSUMPTION	12VDC@200mA 24VDC@100mA	12VDC@200mA 24VDC@100mA
HOLDING FORCE	440lbs	440lbs
OPERATING TEMPERATURE	14° TO 104°F	14° TO 104°F
POWER REQUIREMENTS	REGULATED POWER SUPPLY OR 12VDC PLUG IN TRANSFORMER	
MONITOR SWITCHES	N/A	0.5A @ 12/24VDC



DYNALOCK CORPORATION
 705 EMMETT STREET / PO BOX 2728
 BRISTOL, CT 06011-2728
 PHONE: 877-DYNALOCK / FAX: 860-585-0338
 E-MAIL: INFO@DYNALOCK.COM
 WEBSITE: WWW.DYNALOCK.COM

Featuring

DynaLife[®]
 Lifetime Warranty