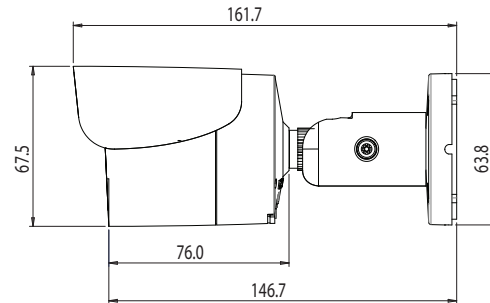




Dimensions (unit : mm)



Specifications

IMAGE	
Image Sensor	1/2.8" Sony CMOS Sensor
Effective Pixels	1920 (H) x 1080 (V)
Minimum Scene Illumination	F2.5 (30IRE): 0.5 Lux [Color] F2.5 (30IRE): 0.00 Lux [B&W]
LENS	
Focal Length	4.0mm , F1.8
Lens Type	Fixed Lens
IR Distance	50ft Range IR
Angle of View	Horizontal: 86°
Digital Zoom	x12
OPERATIONAL	
Brightness	0~20
Shutter Mode	Auto, Manual
Digital Slow Shutter	Off, up to 8x
DNR (Digital Noise Reduction)	Off/ Low/ Middle/ High
Auto Gain Control	Max 41dB
BLC (Back Light Compensation)	Off, On
WDR (Wide Dynamic Range)	Off, Low, Middle, High
Day and Night	Auto, Day (Color), Night (B/W)
Lens Mode	DC/ Manual
Chroma (Hue & Saturation Settings)	0~20
Privacy Zones	Off/ On (16 Privacy Masks)
Sharpness	0~10
Mirror & Flip	Off, On
Record Schedule	Continuous, Motion, Pre- & Post-Alarm
Alarm Notifications	Notifications Via E-mail
NETWORK	
LAN	802.3 Compliance 10/100 LAN
Video Compression Type	H.264, MPEG4, MJPEG (Super Fine-Low)
Resolution	1920X1080 (16:9) ~ 320X240 (4:3)
Frame Rate	Up to 30fps at All Resolutions
Streaming Capability	Dual-Stream at Different Rates and Resolutions
IP	IPv4, IPv6
Protocol	TCP/IP, HTTP, DHCP, PPPoE, ICMP, ARP, RARP, RTSP, NTP, UDP, Multicast
Maximum User Access	5 Users
ONVIF Conformance	Yes
Web Viewer	OS: Windows XP / Vista / 7, MAC OS Browser: Internet Explorer, Chrome, Firefox, Safari
Video Management Software	DW Spectrum
Memory Slot	24 hours recording to Micro SDHC Card (4GB-32GB) Card Not Included*
ENVIRONMENTAL	
Operating Temperature/ Humidity	-10°C ~ 50°C (14°F ~ 122°F)
Operating Humidity	Less than 90% (Non-Condensing)
IP Rating	IP66 (Protects against dust and high pressure water)
Other Certifications	CE, FCC, RoHS
ELECTRICAL	
Power Requirement	DC 12V, PoE (IEEE802.3af Class 2)
Power Consumption	3.5W, 290mA / LED On: 5W, 430mA (Max 500mA)
MECHANICAL	
Material	Aluminum Die-Casting
Dimensions	161.7 x 67.5 mm (6.36 X 2.66 in)
Weight	0.93 lbs

*Specification is subject to change without prior notice.

Summary

The MB721M4TIR MEGAPIX camera is a triple codec Weather Resistant Bullet network camera that provides 1080P megapixel resolution at 30 frames per second. The camera's advanced technologies such as True Day and Night, 3D-DNR, WDR, and Smart IR will deliver the best images in any type of environment. And Power over Ethernet will simplify installation by connecting both power and network through a single cable.

Features

- ONVIF Compliant, Profile S
- 2.1 Megapixels (1080P, 30fps)
- Triple Codecs with Simultaneous Dual-Stream
- 1/2.8" CMOS Sensor
- 4.0mm Fixed Lens
- 12X Digital Zoom
- 50ft IR with Intelligent Camera Sync
- TDN [True Day and Night]
- Power over Ethernet [PoE] & DC12V
- Micro SD/SDHC Class 10 Card for Emergency Backup [Not Included]
- IP66 Certified [Weatherproof]
- Privacy Zones (16) & Motion Detection
- No Fog or Condensation under Any Weather Conditions
- WDR [Wide Dynamic Range]
- 3D-DNR [3D Digital Noise Reduction]