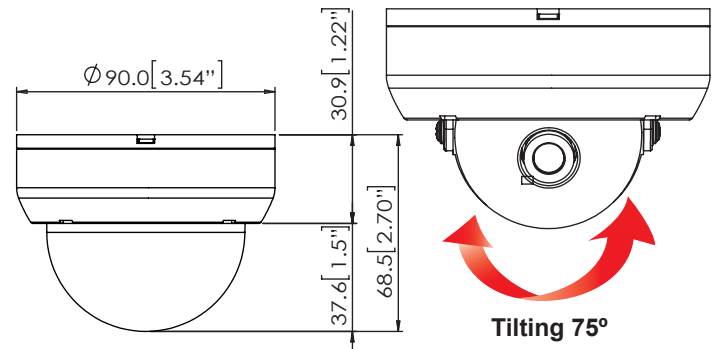


Value Line Compact Indoor Dome Camera DWC-D6351D/D6351DB



Dimensions (unit : mm)



Summary

The new Value CMOS cameras are the latest addition to the Digital Watchdog's powerful yet affordable cameras. The camera has a 3.6mm fixed lens with 520 TV Lines, and it offers auto features such as 2D-Digital Noise Reduction all in a compact and discrete housing.

Features

- 1/3" CMOS Sensor
- 570 TV Lines [B/W], 520 TV Lines [Color]
- 3.6mm Fixed Lens
- Electronic Day & Night
- AWB (Auto White Balance)
- Compact size for Discrete Installations
- Available in Charcoal and Ivory Housing

Specifications

VIDEO	
Image Sensor	1/3" CMOS Sensor
Total Pixels	728 (H) X 488 (V)
Scanning System	2 : 1 Interlace
Frequency	15.734KHz (H), 59.95Hz (V)
Synchronization	Internal
Horizontal Resolution	570 TV Lines [B/W], 520 TV Lines [Color]
Minimum Illumination	F1.2 (30IRE): 0.17 Lux [Color] F1.2 (30IRE): 0.06 Lux [B/W]
S/N Ratio	52dB (AGC off)
Video Output	CVBS: 1.0Vp-p / 75 Ω
LENS	
Focal Length	3.6mm
Lens Type	Fixed Lens
ENVIRONMENTAL	
Operating Temperature	-30°C ~ 70°C (-22°F ~ 158°F)
Operating Humidity	Less than 90% (Non-Condensing)
ELECTRICAL	
Power Requirement	DC12V
Power Consumption	DC12V: 0.8W, 66mA
MECHANICAL	
Housing Material	Plastic
Dimensions	Ø 90 X 68.5 mm (3.54 x 2.7 Inch)
Weight	0.028 lbs

*Specification is subject to change without prior notice.