

DTK-HW Series

Parallel Connected Surge Protective Device



Product Features

- Approved for 20A circuit breakers
- NEMA 4X Weatherproof enclosure allows for use in harsh environments
- Diagnostic LED indicates ground presence, system power and SPD function
- Complies with ANSI/IEEE C62.41 and C62.45 Category B standards

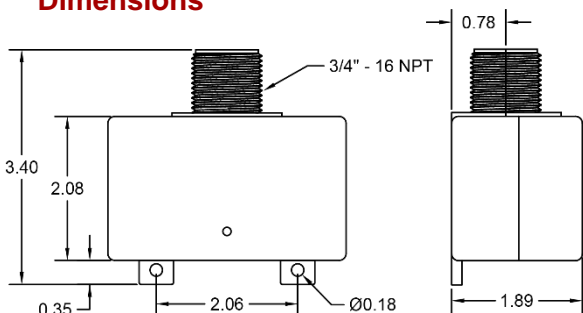
Applications

- Fire Alarm Control Panels
- Equipment Panels
- Dedicated Branch Circuits
- Pumps, Motors and Lift Pump Stations

Accessories

- DIN Rail Mounting Kit – DTK-DRK

Dimensions



Every precaution has been taken to ensure that this literature is accurate and complete. DITEK Corporation assumes no responsibility and disclaims all liability for damages resulting from the use of this information or for any errors or omissions.

DITEK's DTK-HW Series of surge protective devices are designed and manufactured to meet the standards of the life safety industry. These compact, parallel-mount SPD's are available for 120V, 240V and 120/240V systems; and are widely used to protect fire alarm panels and other dedicated branch circuit loads. Their small footprint enables installation in a variety of locations.

Technical Specifications

Part Number:	DTK-120HW	DTK-240HW	DTK-120/240HW
Service Voltage:	Single Φ (2W + G), 120VAC	Single Φ (2W + G), 240VAC	Split Φ (3W + G), 120/240VAC
MCOV:	150V	320V	150/320V
Protection Modes:	L-G, L-N, N-G	L-G, L-N, N-G	L-G, L-L, L-N, N-G
Voltage Protection Rating:	700V L-G 700V L-N 1,500V N-G	1,200V L-G, 1,200V L-N 2,000V N-G	700V L-G, L-N 1,500V L-L, 1,500V N-G
Surge Current Rating:	50,000A	50,000A	100,000A
SCCR:		10kA	
Nominal Discharge Current Rating (I_n):		10kA	

Mechanical Characteristics

Connection Method:	3/4" NPT Parallel Wired
Housing:	NEMA 4X
Temperature Range:	-31°F - 176°F (-35°C - 80°C)
Maximum Humidity:	95% non-condensing
Dimensions:	3.5"L x 1.89"W x 3.4"H (88.9mm x 48.3mm x 86.4mm)
Weight:	0.55 lb. (0.25 kg)

Quality, Standards & Approval

Agency Approvals:	UL 1449 4 th Edition, cUL
SPD Type:	Type 1 SPD
Warranty:	Ten Year Limited