



DPS3

### Overview

DPS3 converts a low voltage AC input into 6VDC, 12VDC or 24VDC @ 2.5 amp continuous supply current. This unit has a wide range of applications for access control, security and CCTV system accessories that require additional power.

### Specifications

#### Input:

- 6VDC or 12VDC output use TP1640 or 24VDC output use T2428100.

#### Output:

- 6VDC, 12VDC or 24VDC selectable output.
- 2.5 amp continuous supply current.
- Filtered and electronically regulated output.
- Short circuit and thermal overload protection.

#### Battery Backup:

- Built-in charger for sealed lead acid or gel type batteries.
- Automatic switch over to stand-by battery when AC fails.
- Maximum charge current 0.3 amp.
- Battery short circuit protection (circuit breaker).

#### Visual Indicators:

- AC input and DC output LED indicators.

#### Electrical:

- Operating temperature:  $-20^{\circ}\text{C}$  to  $49^{\circ}\text{C}$  ambient.
- BTU/Hr.:
  - 6VDC: 6 BTU/Hr.
  - 12VDC: 11 BTU/Hr.
  - 24VDC: 23 BTU/Hr.
- System AC input VA requirement:  
6VDC/12VDC: 276VA. 24VDC: 402.5VA

#### Features:

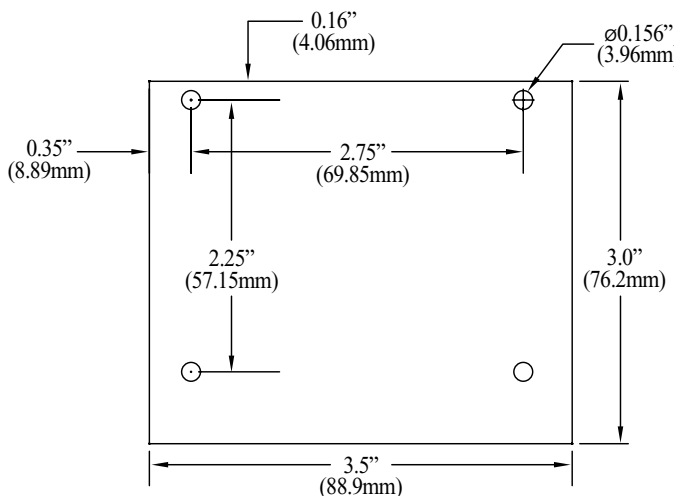
- Extremely compact design.
- Includes battery leads.
- Snap Track compatible (order Altronix model number ST3).

#### Mechanical:

- Board Dimensions (L x W x H approx.):  
3.5" (88.9mm) x 3" (76.2mm) x 2" (50.8mm)
- Product weight (approx.): 1.0 lbs. (0.45 kg).
- Shipping weight (approx.): 1.3 lbs. (0.59 kg).

#### Board Dimensions (L x W x H) (approximate):

3.5" (88.9mm) x 3" (76.2mm) x 2" (50.8mm)



#### ST3 Mechanical Drawing

