

DOOR CLOSERS

PRODUCT CATALOG



COMPANY INTRODUCTION:

Townsteel has been manufacturing high quality commercial and residential grade hardware for over 20 years. We take pride in our ability to maintain a product offering that is second to none. With a talented and dedicated engineering team, Townsteel is continually innovating our product line to assure that we are on the cutting edge of the Door and Hardware Industry. Our trims are made of the finest quality Stainless Steel and Plated materials to assure their longevity.

Townsteel has the goal of offering the most imaginative and exciting design concepts possible limited only by the physical confines of the product and codes. We look forward to working with you to bring your project in ON TIME, ON BUDGET, and to your COMPLETE SATISFACTION.



CATALOG

Index

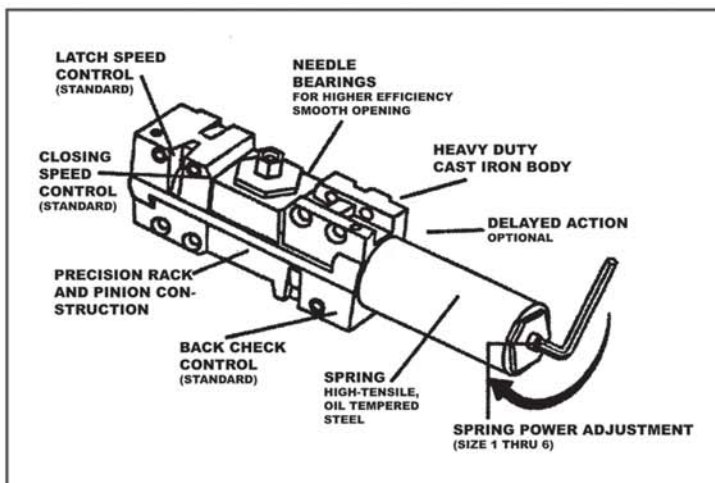
TDC40	03
TDC70	06
TDC85	09
TDC90	11
TDC53/54	13



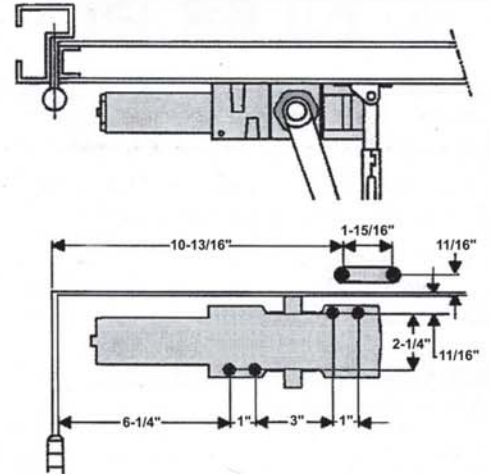
Feature Highlight:

- For heavy traffic areas, exterior or interior
- Heavy duty cast iron body, non handed
- Precision rack and pinion construction
- Regular arm standard, Friction Hold-Open, Cush, Hold-Open and Cush, and EDA arm optional
- Tri-Style installation: includes hardware and brackets to allow for regular, top jamb, and parallel arm installation
- Adjustable spring power from size 1 to size 6, factory preset size 3
- Separate and adjustable Latch, Sweep and Backcheck valves standard
- Adjustable Delayed Action Closing valve optional
- UL listed molded plastic full cover standard, metal cover optional
- All-weather fluid, allowing door closer to perform in temperatures ranging from -31°F to 140°F
- Needle Bearing for higher efficiency
- 1-1/2" (38 mm) diameter piston
- 5/8" (16 mm) diameter pinion
- 2-5/16" (58 mm) projection (standard cover)
- Door Opening: regular arm 120°, parallel arm 180°, and top jamb 120°
- Finish: Aluminum and Duro stock finishes, other finishes upon request

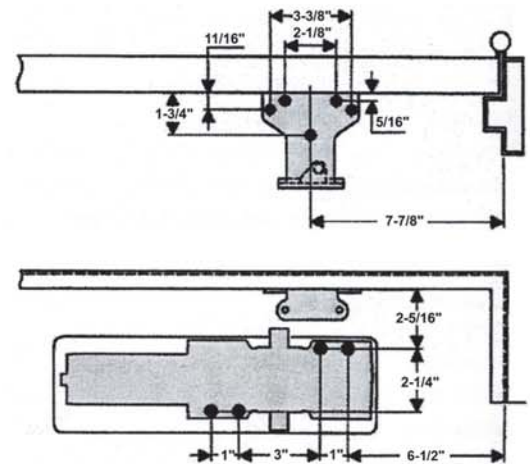
Profile:



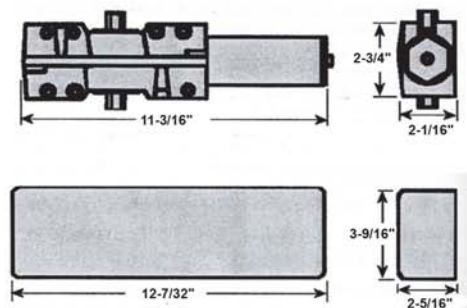
Pull Side Installation



Push Side Installation



Closer Body





Options

- Available arms: Friction Hold-Open, Cush, Cush and Hold-Open, and EDA
- Drop Plate: please refer to drop plate section

Arms



- **Friction Hold Open Arm**
Heavy duty parallel hold-open adjustable arm.
TDC ARM-01-40



- **Cush Arm**
Heavy duty parallel cush arm.
TDC ARM-02-40



- **Hold-Open and Cush Arm**
Heavy duty parallel hold-open and cush arm.
TDC ARM-03-40

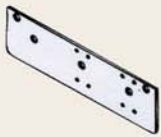


- **EDA Arm**
Extra heavy duty parallel arm.
TDC ARM-04-40

Drop Plates

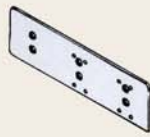
• TPDC-718

Required for hinge side mount where top rail is less than 3 3/4" (95 mm) measured from the top. Plate requires top rail minimum 2" (51 mm) in height.



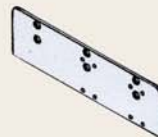
• TPDC-718TJ

Applicable in places where head frame face is less than 3 1/2" (89mm) in height. Plate requires 1 3/4" (44 mm) minimum head frame.



• TPDC-718G

Applicable in places where top of head frame in flush with ceiling condition. Plate requires 1 3/4" (44 mm) minimum head frame.



• TPDC-718PA

Required for parallel arm mounting where top rail is less than 5 1/2" (140 mm), measured from the top. Plate requires 2" (51 mm) minimum top rail.



Code Compliance

- UL & ULC listed
- Meets Grade 1 requirements of ANSI/BHMA A156.4
- BAA door closer meets guidelines of the Buy American Act
- Adjustable to meets requirements of the Americans with Disabilities Act



Important Notes - Door Closers for Low Opening Force Applications:

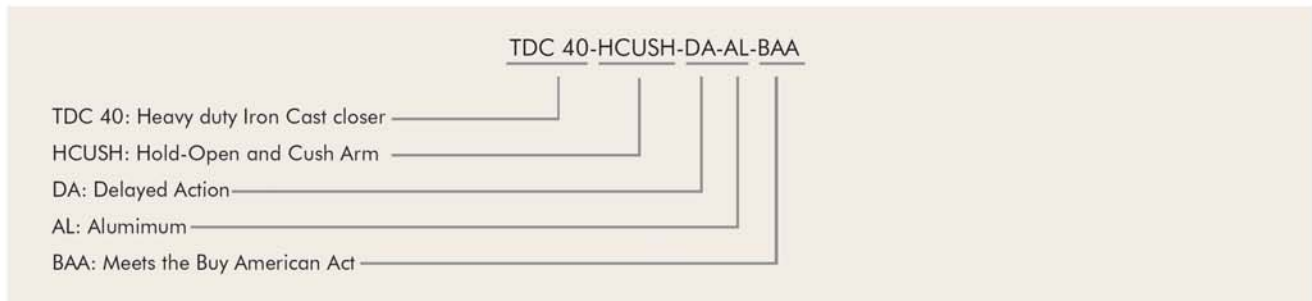
Door closers installed in openings required to meet the requirements of The Americans with Disabilities Act of ANSI Standard A117.1, when adjusted to meet those requirements, may not provide adequate closing power to dependably close and latch the door.

HOW TO ORDER

TDC-40 Door Closer

Series	Arm Type	Delayed Action	Finishes	BAA
TDC 40: Heavy duty Closer	Blank: Regular Arm, Standard HOA: Hold Open Arm CUSH: CUSH Arm HCUSH: Hold-Open and Cush Arm EDA: Extra Heavy Duty Arm	Blank: No Delayed Action DA: Delayed Action	AL: Aluminum DU: Duro	Blank: Non BAA BAA: Meets the Buy American Act

Order Sample



TDC-40 Drop Plate

Series	Finishes	Example:
TPDC 718: for hinge side mount TPDC 718G: for head frame flush with ceiling TPDC 718TJ: Head frame less than 3 1/2" TPDC 718PA: for parallel arm mounting	AL: Aluminum DU: Duro	<u>TPDC 718-AL</u> TPDC 718: for hinge side mount AL: Aluminum

TDC-40 Arm

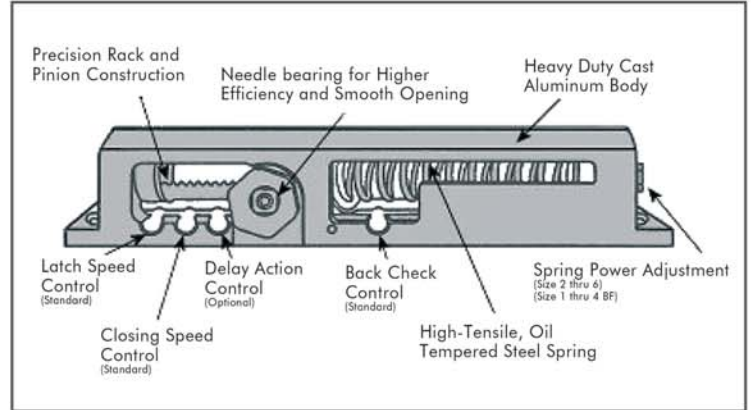
Series	Finishes	Example:
TDC ARM-01-40: Friction Hold-Open Arm TDC ARM-02-40: Cush Arm TDC ARM-03-40: Cush and Hold-Open Arm	AL: Aluminum DU: Duro	<u>TDC ARM-01-40-AL</u> TDC ARM-01-40: Friction Hold-Open Arm AL: Aluminum



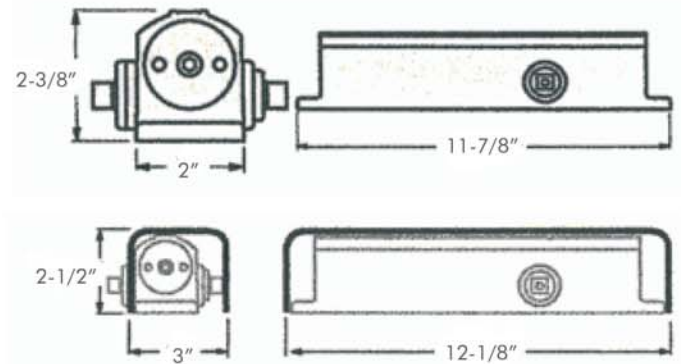
Feature Highlight:

- Designed for high traffic application, exterior or interior
- Heavy duty aluminum body, non-handed
- Precision rack and pinion construction
- Regular arm standard, Friction Hold-Open, Cush, Hold-Open and Cush, and Slide Track arms optional
- Tri-Style installation: includes hardware and brackets to allow for regular, top jam, and parallel arm installation
- Adjustable spring power from size 2 to size 6 (TDC-70), and size 1 to size 4 (TDC-70BF)
- Separate and adjustable Latch, Sweep and Backcheck valves standard
- Delayed Action standard on TDC-70BF
- UL listed molded plastic full cover standard, metal cover optional
- All-weather fluid, allowing door closer to perform in temperatures ranging from -31°F to 140°F
- Needle Bearing application for higher efficiency
- Highly precise closer for high performance
- 1-1/2" (38mm) diameter piston
- 7/16" (11mm) diameter pinion
- 2-1/2" (64mm) projection (standard cover)
- Finish: Aluminum and Duro stock finishes, other finishes upon request

Profile:



Door Closer and Cover



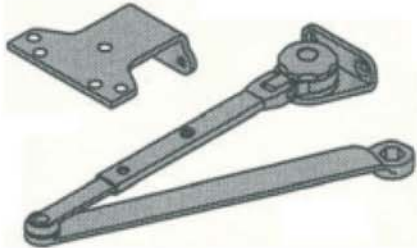
Options

- Available arms: Friction Hold-Open, Cush, Cush and Hold-Open, and Slide Track
- Drop Plate: please refer to drop plate section

Arms

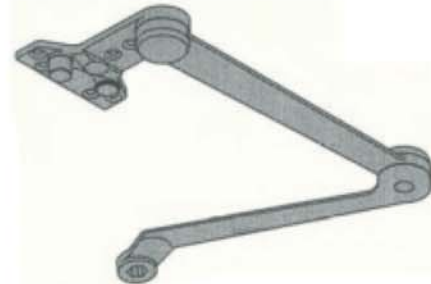
• Friction Hold Open Arm

Heavy duty parallel hold-open adjustable arm.
TDC ARM-01



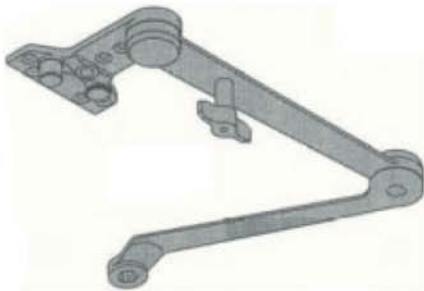
• Cush Arm

Heavy duty parallel cush arm.
TDC ARM-02



• Hold-Open and Cush Arm

Heavy duty parallel hold-open and cush arm.
TDC ARM-03



• Slide Track Arm

Heavy duty parallel slide track arm.
TDC ARM-04



Drop Plates

• TDC-70-DPPA

For Push side parallel arm installation when mounting surface height is less than 4-3/4" (121mm)



• TDC-70-DP

For Pull side mounting when mounting surface height is less than 3-1/2" (89mm)



Code Compliance

- ANSI: Comply with ANSI A156.4 Grade 1
- UL: UL and ULC listed
- ADA: TDC-70BF adjustable to conform to requirements of The Americans with Disabilities Act
- BAA: BAA door closers meet guideline of The Buy American Act





Important Notes - Door Closers for Low Opening Force Applications:

Door closers installed in openings required to meet the requirements of The Americans with Disabilities Act of ANSI Standard A117.1, when adjusted to meet those requirements, may not provide adequate closing power to dependably close and latch the door.

HOW TO ORDER

TDC-70 Door Closer

Series	Arm Type	Delayed Action	Finishes	BAA
TDC 70: Heavy duty Closer	Blank: Regular Arm, Standard HOA: Hold Open Arm CUSH: CUSH Arm HCUSH: Hold-Open and Cush Arm	Blank: No Delayed Action BF: Barrier Free	AL: Aluminum DU: Duro	Blank: Non BAA BAA: Meets the Buy American Act

Order Sample

TDC 70-HCUSH-BF-AL-BAA

TDC 70: Heavy duty Iron Cast closer _____
 HCUSH: Hold-Open and Cush Arm _____
 BF: Barrier Free _____
 AL: Aluminum _____
 BAA: Meets the Buy American Act _____

TDC-70 Drop Plate

Series	Finishes	Example:	<u>TDC-70-DPPA-AL</u>
TDC-70-DPPA: for push side parallel TDC-70-DP: for pull side mounting	AL: Aluminum DU: Duro	TDC-70-DPPA: for push side parallel _____ AL: Aluminum _____	

TDC-70 Arm

Series	Finishes	Example:	<u>TDC ARM-01-AL</u>
TDC ARM-01: Friction Hold-Open Arm TDC ARM-02: Cush Arm TDC ARM-03: Cush and Hold-Open Arm TDC ARM-04: Slide Track Arm	AL: Aluminum DU: Duro	TDC ARM-01: Friction Hold-Open Arm _____ AL: Aluminum _____	



Feature Highlight:

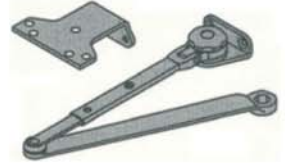
- Designed for high traffic application, exterior or interior
- Heavy duty aluminum cast body, non-handed
- Precision rack and pinion construction
- Regular arm standard, Friction Hold-Open, Cush and Hold-Open and Cush arms optional
- Tri-Style installation: includes hardware and brackets to allow for regular, top jam, and parallel arm installation
- Adjustable spring power from size 1 to size 6, factory preset size 3
- Separate and adjustable Latch, Sweep and Backcheck valves standard
- Delayed Action Optional
- UL listed molded plastic full cover standard, metal cover optional
- All-weather fluid, allowing door closer to perform in temperatures ranging from -31°F to 140°F
- Needle Bearing application for higher efficiency
- Highly precise closer for high performance
- 1-17/64" (32mm) diameter piston
- 29/64" (11.5mm) diameter pinion
- 2-1/2" (64mm) projection (standard cover)
- Finish: Aluminum and Duro stock finishes, other finishes upon request

Options

- Available arms: Friction Hold-Open, Cush, Cush and Hold-Open, and Slide Track
- Drop Plate: please refer to drop plate section

Arms

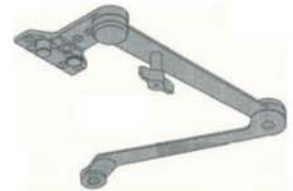
- **Friction Hold Open Arm**
Heavy duty parallel hold-open adjustable arm.
TDC ARM-01-85



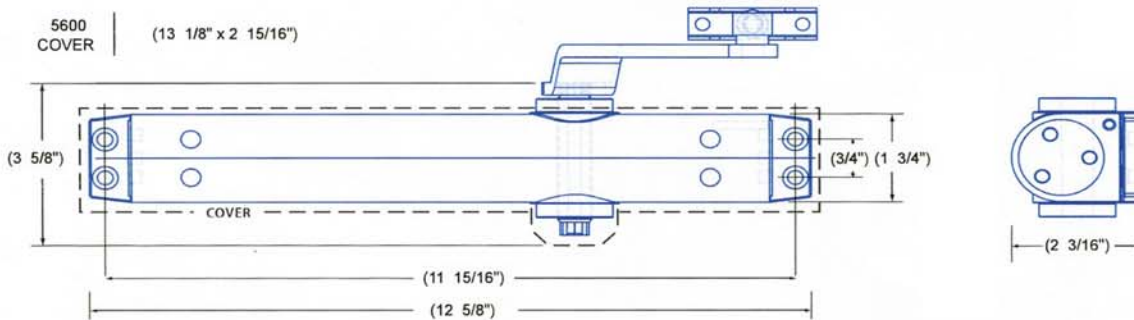
- **Cush Arm**
Heavy duty parallel cush arm.
TDC ARM-02-85



- **Hold-Open and Cush Arm**
Heavy duty parallel hold-open and cush arm.
TDC ARM-03-85



Profile:





Drop Plates

- TDC-85-DPPA

For Push side parallel arm installation where a narrow top rail prevents direct mounting



- TDC-85-DP

Provides a solid mounting surface when clearance or mounting surface dimensions are limited



Code Compliance

- ANSI: Comply with ANSI A156.4 Grade 1
- UL: UL and ULC listed
- ADA: Adjustable to conform to requirements of the Americans with Disabilities Act
- BAA: BAA door closers meet guideline of the Buy American Act



Important Notes - Door Closers for Low Opening Force Applications:

Door closers installed in openings required to meet the requirements of The Americans with Disabilities Act of ANSI Standard A117.1, when adjusted to meet those requirements, may not provide adequate closing power to dependably close and latch the door.

HOW TO ORDER

Door Closer

Series	Arm Type	Delayed Action	Finishes	BAA
TDC 85: Heavy duty Closer	Blank: Regular Arm, Standard HOA: Hold Open Arm CUSH: CUSH Arm HCUSH: Hold-Open and Cush Arm	Blank: No Delayed Action DA: Delayed Action	AL: Aluminum DU: Duro	Blank: Non BAA BAA: Meets the Buy American Act

Order Sample

TDC 85-HCUSH-AL-BAA

TDC 85: Heavy duty Iron Cast closer
 HCUSH: Hold-Open and Cush Arm
 AL: Aluminum
 BAA: Meets the Buy American Act

TDC-85 Drop Plate

Series	Finishes
TDC-85-DPPA	AL: Aluminum
TDC-85-DP	DU: Duro
Example:	TDC-85-DPPA-AL
TDC-85-DPPA	AL: Aluminum

TDC-85 Arm

Series	Finishes
TDC ARM-01: Friction Hold-Open Arm	AL: Aluminum
TDC ARM-02: Cush Arm	DU: Duro
TDC ARM-03: Cush and Hold-Open Arm	
Example:	TDC ARM-01-AL
TDC ARM-01: Friction Hold-Open Arm	AL: Aluminum



Feature Highlight:

- Designed for medium traffic application, exterior or interior
- Aluminum cast body, non-handed
- Precision rack and pinion construction
- Tri-Style installation: includes hardware and brackets to allow for regular, top jam, and parallel arm installation
- Adjustable spring power from size 2 to size 5 (TDC-90), and size 1 to size 4 (TDC-90BF)
- Separate and adjustable Latch, Sweep and Backcheck valves standard
- Delayed Action standard on TDC-90BF
- UL listed molded plastic full cover standard, metal cover optional
- All-weather fluid, allowing door closer to perform in temperatures ranging from -31°F to 140°F
- Needle Bearing application for higher efficiency
- 1-13/32" (35.8mm) diameter piston
- 7/16" (11.2mm) diameter pinion
- 3" (76mm) projection (standard cover)
- Finish: Aluminum and Duro stock finishes, other finishes upon request
- 25-year limited warranty

Profile:

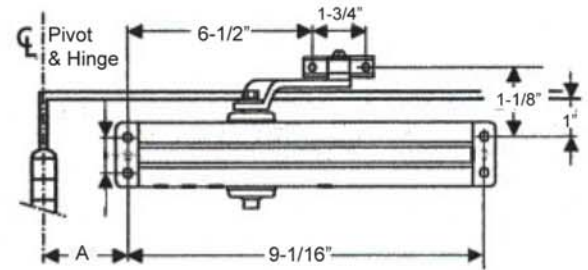
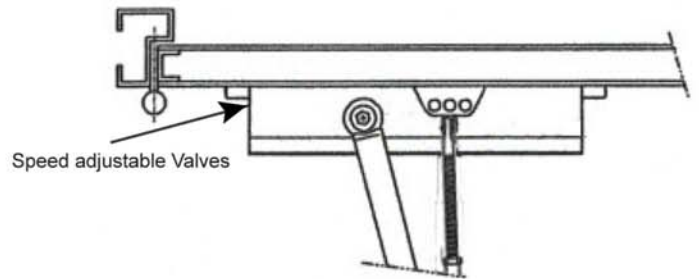
• Closer Body



• PDC-SLM-SLIM Closer Cover

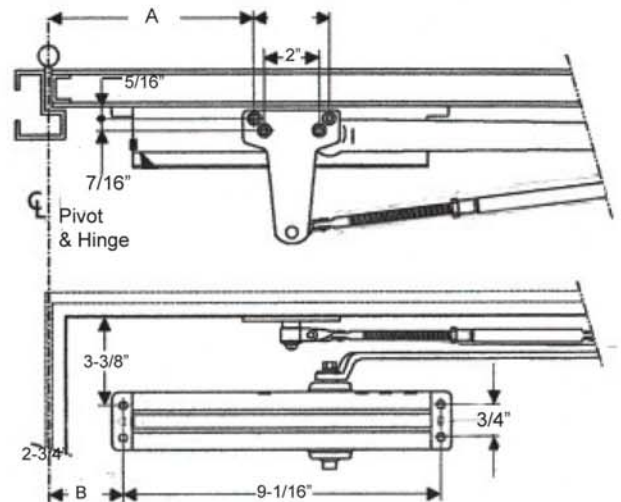


• Pull Side Installation



OPENING	DIM A
120°	6-1/2"
120° — 180°	4"

• Push Side Installation



OPENING	DIM A	DIM B
120°	10-3/4"	6-15/16"
120° — 180°	8-3/4"	4-3/4"



Code Compliance

- ANSI: Comply with ANSI A156.4 Grade 1
- UL: UL and ULC listed
- ADA: TDC-90BF conforms to requirements of the Americans with Disabilities Act



Important Notes - Door Closers for Low Opening Force Applications:

Door closers installed in openings required to meet the requirements of The Americans with Disabilities Act of ANSI Standard A117.1, when adjusted to meet those requirements, may not provide adequate closing power to dependably close and latch the door.

HOW TO ORDER

TDC-90 Door Closer

Series	Function	Finishes
TDC 90: Heavy Duty Grade 1 Closer	Blank: No Delayed Action BF: Barrier Free	AL: Aluminum DU: Duro

Order Sample



Feature Highlight:

- Designed for low traffic application, interior or exterior
- Aluminum cast body, non-handed
- Precision rack and pinion construction
- Spring power size 3 (TDC-53), and size 4 (TDC-54)
- UL listed molded plastic full cover standard
- All-weather fluid, allowing door closer to perform in temperatures ranging from -31°F to 140°F
- Needle Bearing application for higher efficiency
- 1-13/32" (35.8mm) diameter piston
- 7/16" (11.2mm) diameter pinion
- 3" (76mm) projection (standard cover)
- Finish: Aluminum and Duro stock finishes

Profile:

- Closer Body



- PDC-SLM-SLIM Line Cover



- TDC 53



- TDC 54



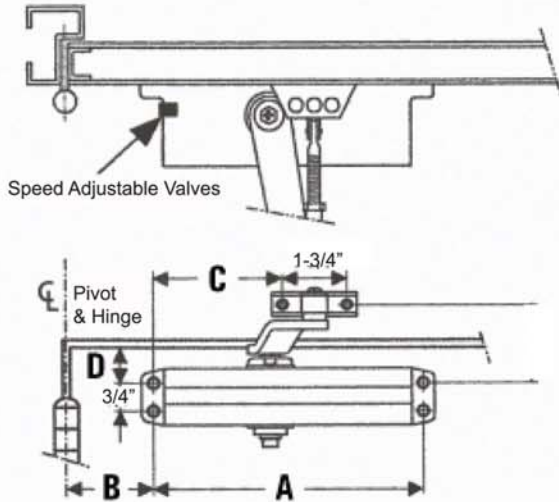


TDC53/54

GRADE 3 DOOR CLOSERS

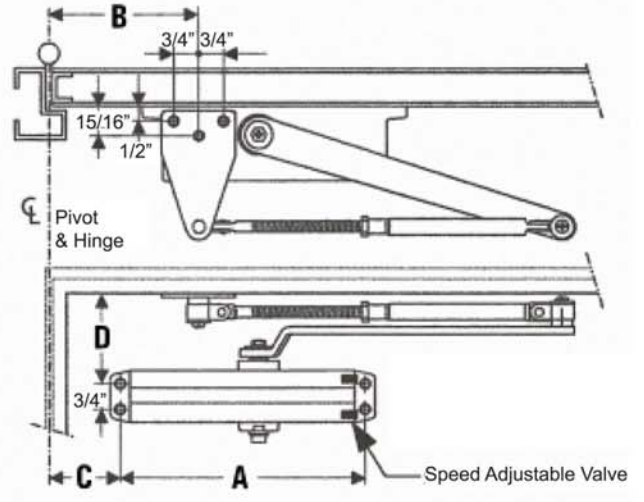
• Pull Side Installation

Model	A	B	C	D
TDC53	8-3/16"	4"	6-1/2"	1-1/8"
TDC54	9-1/16"	4"	6-1/2"	1-1/8"



• Push Side Installation

Model	A	B	C	D
TDC53	8-3/16"	8-3/4"	5-5/8"	3-3/8"
TDC54	9-1/16"	8-3/4"	4-3/4"	3-3/8"



Code Compliance

- ANSI: Comply with ANSI A156.4 Grade 3
- UL: UL and ULC listed



HOW TO ORDER

TDC-53/54 Door Closer

Series	Finishes
TDC 53: Size 3 door closer TDC 54: Size 4 door closer	AL: Aluminum DU: Duro

Order Sample

TDC 53: Size 3 door closer _____

AL: Aluminum _____

TDC 53-AL

ABOUT DOOR CLOSER

•Door Operation Frequency

	Application	Daily	Yearly
HIGH	Large Department Store Entrance	5,000	1,500,000
	Large Office Building Entrance	4,000	1,200,000
	Theater Entrance	1,000	450,000
	School Entrance	1,250	225,000
	School Restroom Door	1,250	225,000
	Store or Bank Entrance	500	150,000
	Office Building Restroom Door	400	118,000
AVERAGE	School Corridor Door	80	15,000
	Office Building Corridor Door	75	22,000
	Store Restroom Door	60	18,000
	Residential Entrance Door	40	15,000

•ANSI/BHMA A156.4 requirements on cycle test

- ANSI Grade 1 Door Closer: 2 million w/o BC, 1.5 million w/BC, Medium to High Traffic
- ANSI Grade 2 Door Closer: 1 million w/o BC, 750,000 w/BC, Low to Medium Traffic
- ANSI Grade 3 Door Closer: 500,000 w/ or w/o BC, Low Traffic

•Requirement of The Americans with Disabilities Act

Five pounds of opening force for interior doors. Labeled openings are exempt. Door closers installed in openings required to meet the requirements of The Americans with Disabilities Act of ANSI Standard A117.1, when adjusted to meet those requirements, may not provide adequate closing power to dependably close and latch the door.

•Closing (Sweep) Valves

Controls the sweep speed of the door from full open to approximately 10° open
TDC-40/70/85/90 offers adjustable closing speed. TDC-53/54 offers size 3 or size 4 spring power.

•Latch Valves

Controls speed of closing or latching of the door in the last 10° before the door hits the latch point.

•Backcheck Valves

Operates when the door is approximately 70° open, slows the momentum of the door when it has been pushed or pulled open. Crucial in areas with strong winds or on closers without deadstops. This function is not to be used as a door stop.

•Optional Delayed Action Valves

operates when the door is approximately 70° open and holds the door in that position for a preset time.

•Efficiency

Ten pounds of opening force will yield about six pounds of closing force. With ADA, five pounds of opening force yields approximately three pounds of closing force.



TownSteel

Townsteel Inc.

17901 Railroad Street | City of Industry, CA 91748
Toll Free: 877-858-0888 | Tel: 626-965-8917 | Fax: 626-965-8919
www.townsteel.com