

DIGIMERGE | Right for Business

DH200+ Series

Digital Video Surveillance
Recorder 4/8/16 Channel
CMS-DH PC/Mac Mobile Apps

TOUCH SERIES DVR



Features

- ❖ H.264 compression, supports D1 resolution video recording
- ❖ Lite Touch operation
- ❖ Smart phone and tablet view, supports BlackBerry, iPhone, iPad and Android
- ❖ Fully compatible with both PC and Mac
- ❖ CMS-DH application supports up to 300 DVRs, 64 channels, live-playback, E-map, full control, up to 8 screen display
- ❖ 480fps 'real-time' viewing, 240fps recording (8/16 channel)*
- ❖ Back-up through USB port to Flash and optical drives
- ❖ Security Certified Hard Disk with up to 2TB of data storage**
- ❖ Free DDNS by Digimerge

C O N N E C T E D



Outstanding mobile Apps for iPhone, iPad, BlackBerry, & Android



GUI



CMS-DH

Coming soon: DH216+R Series with 480fps Recording & HDMI

* 480fps recording is available with DH216+R models

** Up to 3TB data storage is available with DH216+R models

Specifications

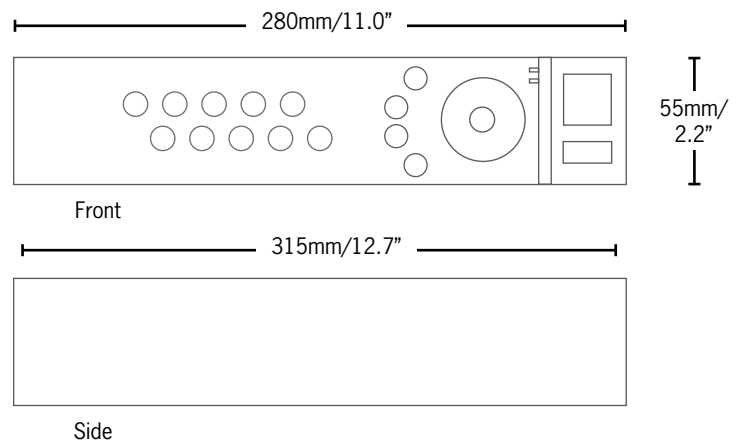
Video inputs	4/8/16 x 1.0Vp-p, CVBS, 75ohms, BNC
Video outputs	1 composite (BNC) 1 spot output, programmable 1 VGA 1 HDMI (on DH216+R only)
Audio inputs	1 x line-in, RCA
Audio output	1 x line-out, RCA
Audio	1-way audio conference (via network)
Video Compression	H.264 hardware codec
Audio compression	G.711
Supply voltage	100VAC - 240VAC, 12VDC , 3A, 50/60Hz
Power consumption:	Approx. 19.2 watts (HDD 250GB)
Operating Temp. Range	32°~104° F / 0° ~ 40° C
Hard disk capacity	1 HDD (Max 2TB), 100% duty cycle, max 3TB for DH216+R
Operating System	Linux (embedded)
OSD Navigation	USB mouse, IR controller or 20 key front panel
Backup	Via USB to Flash & optical drives*
Back-up file formats	Embedded player/Convertible to AV
Recording resolution	360 x 240 : 240fps 720 x 240 : 120fps 720 x 480 : 60fps
Recording Resolution for DH216+R	360 x 240 : 480fps 720 x 240 : 240fps 720 x 480 : 120fps
Record Scheduling	Daily, Weekly adjust specific Hr per channel
Pre/Post alarm recording	5 seconds (Pre); 5 minutes (Post), programmable per camera
Event/Log search	For user login/out, configuration changes, remote access, connects/disconnects
Playback:	Single, Quad, 8, 16 CH Simultaneous
Alarm inputs	4/8/16 x TTL, programmable as NC/NO
Alarm outputs:	1 x Relay with NO/NC contact; 24VDC/2A, 240VAC/2A resistive
Activity detection	4x4 grid (SET)/ 28 x 24grid (CLIENT S/W)/ Sensitivity levels: 20
PTZ Control	RS-485/RS-422 Interface
Mobile Viewing	Smart Phone viewing, supports iPhone, Android & BlackBerry*
Front Key:	Max 20 (Touch Sensor)
Front LED	Power, REC, HDD
Unit Weight	1.91 kg/4.2 Lb
Unit Dimensions	11.0" / 280mm 12.7" / 315mm 2.2" / 55mm (W x D x H)
Carton Weight:	3.16 kg/6.8 lbs
Carton Dimensions	13.4" / 340mm 5.7" / 145mm 16.14" / 410mm (W x D x H)

Networking

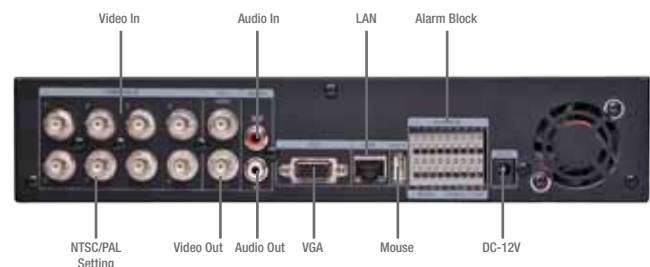
Remote Functions	Live View, Live Recording, Search, Set-up, Back-up
Network Speed Control	8 levels (64KB ~ 8MB)/sec
Network Protocol	TCP/IP, DDNS and Web
Network Interface	10/100-Base-TX, RJ-45

Dimensions

Weight:	3.16kg/6.8lbs
Package Dimensions:	340mm x 145mm x 410mm / 13.4" x 5.7" x 16.1"
Cube:	0.02 Cubic Metres / 0.71 Cubic Feet



Back Panel



Note: HDMI included on DH216+R models

Product Information

UPC:	DH204501 4 Channel 500GB HDD	8-41430-00641-1
	DH2041TB 4 Channel 1TB HDD	8-41430-00642-8
	DH208501+ 8 Channel 500GB HDD	8-41430-00634-3
	DH2081TB+ 8 Channel 1TB HDD	8-41430-00638-1
	DH2082TB+ 8 Channel 2TB HDD	8-41430-00714-2
	DH216501+ 16 Channel 500GB HDD	8-41430-00635-0
	DH2161TB+ 16 Channel 1TB HDD	8-41430-00639-8
	DH2162TB+ 16 Channel 2TB HDD	8-41430-00703-6

Includes: DVR, HDD Pre-Installed, Remote Control, Power Supply, Software CD

UPC:	DH2161T+R 16 Channel 1TB HDD	8-41430-00772-2
	DH2162T+R 16 Channel 2TB HDD	8-41430-00773-9
	DH2163T+R 16 Channel 3TB HDD	8-41430-00774-6

Includes: DVR, HDD Pre-Installed, Remote Control, Power Supply, Software CD, HDMI, 480fps recording