

Up to 30 Watts

Loudspeakers and tone generators provide high decibel communication for messaging, alert and evacuation in harsh and hazardous locations.

- Metallic and non-metallic housings
- Explosionproof and Class I, Division 2 horns and speakers
- Mounting brackets that allow a full 180° swivel
- Products designed for both conduit wiring and/or cable connection (NPT or metric entries available)
- Selectable tones

This range of loudspeakers, intended for use in potentially explosive gas and dust atmospheres, has a power rating of up to 30 Watts and is suitable for use in the harsh environmental conditions found offshore and onshore in the oil, gas and petrochemical industries.

The flamepaths, flare and body, are manufactured from a UV stable glass reinforced polyester. Stainless steel screws and mounting stirrup are incorporated to ensure a corrosion-free product.

Applications:

- Plant-wide alarm notification
- Audible process alarms

Typical Industries:

- Refineries
- Chemical plants
- Oil and gas exploration
- Marine terminals for transportation & storage

**DB16****Certifications and Compliances:**

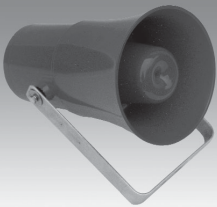
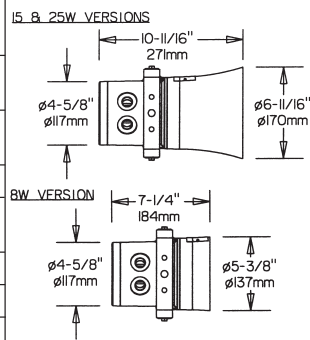
- UL Listed for USA and Canada
 - Hazardous locations:
 - Class I, Div. 2, Groups A, B, C, D*
 - Class I, Zone 1, AExde IIB/IIC T3/T4*
 - Ordinary locations: Signalling Speaker
- ATEX approved
- NEMA 4X & 6, IP66 and IP67
- Certified temperature:
 - 67°F to +104°F
 - 50°C to +40°C

Features and Benefits:


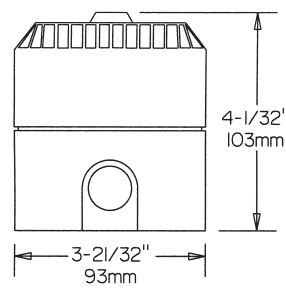
- GRP corrosion-free flamepath
- Up to 112dBA at 30 Watts at 10 feet*
- Power tapings via integral transformer
- Ratcheted swivel mounting stirrup
- Stainless steel fixtures
- 100V line or 8 ohm versions available

*Model dependent.

Up to 30 Watts

DB4		8-25 Watt Speaker—Hazardous Locations	
	Certification UL Listed for:	cULus, ATEX Class I, Div. 2, Groups A, B, C, D Class I, Zone 1, AExd IIC T4	
	Certified Ambient Temperature	-67°F to +158°F -55°C to +70°C	
	Ingress Protection	NEMA 4X & 6 IP66 & 67	
	Material	Corrosion-free GRP	
	Output	97 dB(A) at 1W at 10 feet 109 dB(A) at 25W at 10 feet	
	Entries	Up to 2 x 1/2" NPT, 20mm	
	Weight	11lb/5.0kg	
Options	Body color, transformer, certification, power 25W, 15W, 8W		
			

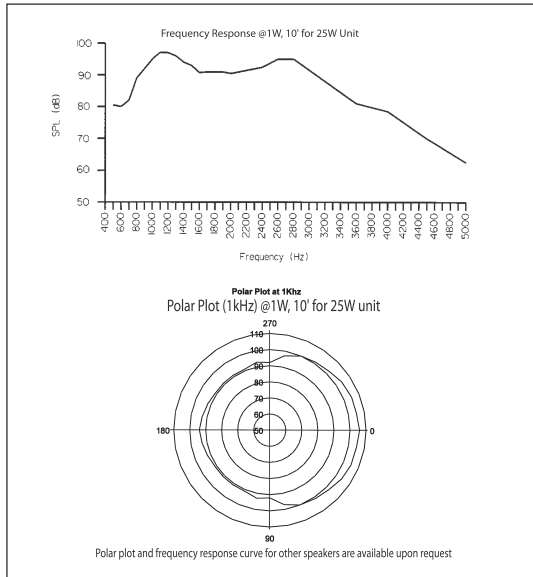
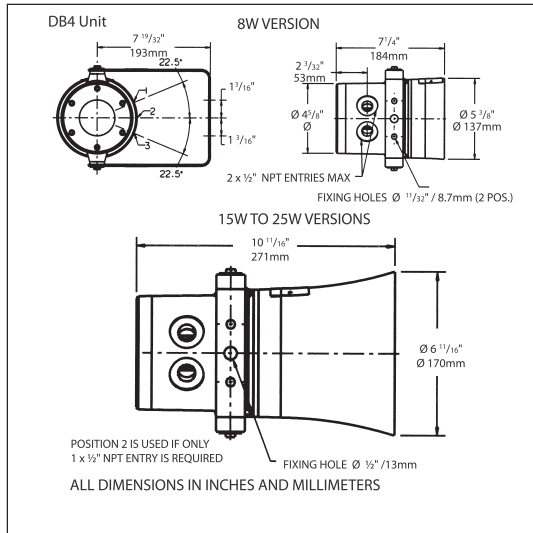
Certification	Power	Ordering Code	Cat. #	Standard Product Configuration
UL, cUL Listed Class I, Div. 2, Groups A, B, C, D	25W	869142	DB425ULX(100)N2CNR	100V line transformer, no labels, 2 x 1/2" NPT entries, red finish
UL, cUL Listed Class I, Div. 2, Groups A, B, C, D	25W	869144	DB425ULX(70)N2CNR	70V line transformer, no labels, 2 x 1/2" NPT entries, red finish
ATEX Approved ExII 1G	15W	804215	DB415DXN2BNZ	100V line transformer, no labels, 2 x M20, one certified plug, flameproof enclosure, natural black finish
ATEX Approved ExII 1G	25W	804225	DB425DXN2BNZ	

DB5		Up to 93dB(A) @ 10ft Horn—Intrinsically Safe	
	Certification FM Approved for:	FM, ATEX Class I, Div. 1 & 2, Groups A, B, C, D	
	Certified Ambient Temperature	-4°F to +131°F -20°C to +55°C	
	Ingress Protection	NEMA 4 IP65	
	Material	Corrosion-free ABS	
	Entries	Up to 2 x 13/16" via knockouts	
	Weight	0.7lb/0.3kg	
	No. of Tones	26	
Options	Body color, certification, voltages 12V–240V DC		
			

Certification	Voltage	Ordering Code	Cat. #	Standard Product Configuration
ATEX Approved ExII 1G	12V DC	805001	DB5B012NR	Intrinsically safe, up to 3 x M20 entries via knockouts, no labels, natural red finish
ATEX Approved ExII 1G	24V DC	805002	DB5B024NR	
FM Approved for Class I, Div. 1 & 2, Groups A, B, C, D	24V DC	869150	DB5FM024NR	Intrinsically safe, 26 tones, 93 dB(A) output, natural red body color, no tag or duty labels, 2 x 13/16" entries via knockouts

5S

Up to 30 Watts



Specification - DB4 Unit

Rated Power:	8, 15 or 25 watts RMS continuous (at 77°F)																															
Certification:	UL Listed for USA and Canada - Class I, Div. 2, Groups A, B, C, D - Class I, Zone 1, AExd IIC T4 UL Listing No. E203310 ATEX approved: EN50014, 18, 19 Cert. No. BAS00ATEX2097X, Exd IIC T4/T5 Cert. No. BAS00ATEX2098X, ExDC IIC T4/T5 Zones 1 and 2; not for use in atmospheres containing carbon disulphide																															
Material:	Body & horn in anti-static, UV stable, glass reinforced polyester Swivel bracket in stainless steel Captive cover screws in stainless steel																															
Finish:	Body and horn, natural black or epoxy paint coated to client's color requirements																															
Output:	97 dB(A) at 1 watt at 10 feet 109 dB(A) at 25 watts at 10 feet Measured in accordance with IEC 268																															
Weight:	11lb/5.0kg approx. dependent on model																															
Certified Temperature:	-67°F to +158°F -55°C to +70°C																															
Ingress Protection:	NEMA 4X and 6, IP66 & 67																															
Frequency Range:	400Hz to 8kHz																															
Voice Coil Impedance:	8 ohms																															
Transformer:	Used to vary the rated power by selecting different tapings (see table below).																															
	<table border="1"> <thead> <tr> <th rowspan="2">Transformer Tappings</th> <th colspan="3">Power</th> </tr> <tr> <th>25W</th> <th>15W</th> <th>8W</th> </tr> </thead> <tbody> <tr> <td>1:2</td> <td>25.0</td> <td>15.0</td> <td>8.0</td> </tr> <tr> <td>2:3</td> <td>12.5</td> <td>7.5</td> <td>4.0</td> </tr> <tr> <td>3:4</td> <td>6.0</td> <td>5.0</td> <td>2.0</td> </tr> <tr> <td>1:3</td> <td>4.0</td> <td>4.0</td> <td>1.5</td> </tr> <tr> <td>2:4</td> <td>2.0</td> <td>2.0</td> <td>0.7</td> </tr> <tr> <td>1:4</td> <td>1.0</td> <td>0.8</td> <td>0.4</td> </tr> </tbody> </table>	Transformer Tappings	Power			25W	15W	8W	1:2	25.0	15.0	8.0	2:3	12.5	7.5	4.0	3:4	6.0	5.0	2.0	1:3	4.0	4.0	1.5	2:4	2.0	2.0	0.7	1:4	1.0	0.8	0.4
Transformer Tappings	Power																															
	25W	15W	8W																													
1:2	25.0	15.0	8.0																													
2:3	12.5	7.5	4.0																													
3:4	6.0	5.0	2.0																													
1:3	4.0	4.0	1.5																													
2:4	2.0	2.0	0.7																													
1:4	1.0	0.8	0.4																													
	Transformer Options: i) Loop in/Loop out: (4 x 2) terminal tap change (8 terminals). ii) Optional Tapping: 4 terminal tap change with 2 terminals (5 & 6) directly connected to driver (8 ohms).																															
	Other tapings & driver impedances available on request.																															
Terminals:	8 x 14AWG Other terminal arrangements available on request																															
Mounting:	Bracket with ratchet facility																															
Labels:	Duty and tag labels optional																															
Cable Entries:	Up to 2 x 1/2" NPT																															

Ordering Requirements

DB4	Max. Rated Power	Certification	Transformer	Labels	Entries	Color
				N		
Power Code	Type Code	Code	Transformer Code	Entries Code	Color Code	
8 watt 8	EExd D		Yes X*	1 x M20 (EExd) 1B	Natural Black N	
15 watt 15	UL listed UL		None N	2 x M20 (EExd/EExdel) 2B	Red R	
25 watt 25			*Std 100V Other values available, specify voltage.	1 x 1/2" NPT (UL listed only) 1C		
				2 x 1/2" NPT (UL listed only) 2C		

To specify certified plug, suffix appropriate code with 'P'.
 e.g. 2BP is 2 x M20 entries with one certified plug.