

2.2 CEILING MOUNT KIT

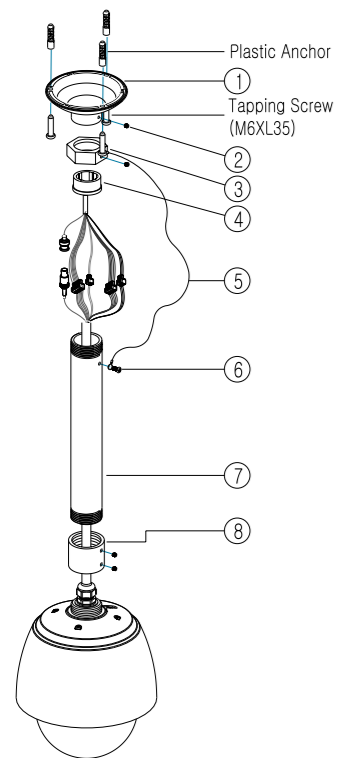


Figure 4. Installation Ceiling Mount

1. Select a suitable mounting location and verify there is sufficient cable to connect with cables from the housing.
 2. Mark and drill mounting holes in the surface using the ceiling mount flange.
 3. Pull out cables required to connect to the dome camera from the ceiling.
 4. Attach the ceiling mount bracket using screws routing cables through the locking nut.
 5. Tighten the housing with the pipe using the coupler after routing cables through the pipe.
 6. Attach the housing's safety wire to the ceiling mount's M6x35 tapping screw.
 7. After connecting cables, fix the pipe to the ceiling mount using the locking nut.
 8. Tighten set screws of the coupler and locking nut with the supplied wrench.
- * Please refer to Parts List

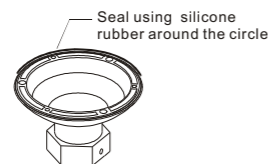
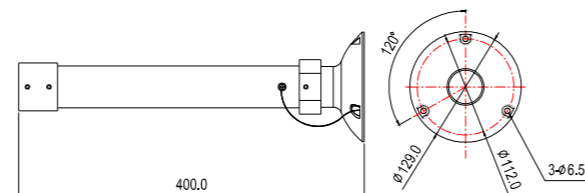


Figure 5. Sealing position

5



< CEILING MOUNT KIT >

Figure 6. Dimension Drawing

Parts List for Ceiling Mount Kit

NO.	PART NAME	MATERIAL	QTY.
1	Ceiling Mount	AL	1
2	Set Screw	M4	4
3	Locking Nut	AL	1
4	coupler	AL	1
5	Safety Wire		1
6	Screw Machine	BH M4, L=8	1
7	Pipe	AL	1
8	coupler	AL	1

* Please refer to Figure 4.

ACCESSORIES for Ceiling Mount Kit

NO.	PART NAME	MATERIAL	QTY.
1	Plastic Anchor	M6	3
2	Tapping Screw	PTS1 M6, L=35	3
3	L-Wrench(For M5 Screw)	M2.5	1

Specification

NO.	Items	HPB241	HPB242
1	Construction	Die Cast and Aluminum	
2	Finish	Light-gray Polyester Powder Coat	
3	Maximum Load	13.2lb (6kg)	
4	Dimension	Refer to the Dimensional Outline	
5	Unit Weight	2.65lb (1.2kg)	3.97lb (1.8kg)
6	Inlet Dimension	PT 1-1/2	PF 1-1/2

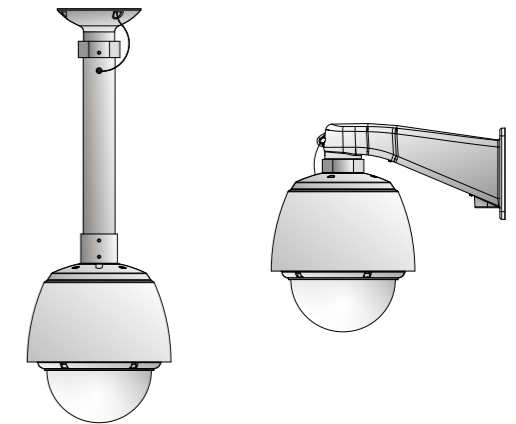
6

Wall & Ceiling Mount Kit

PRINTED IN KOREA

50302161D

Wall & Ceiling Mount Kit



Please read this manual thoroughly before use, and keep it handy for future reference.

2.2 CEILING MOUNT KIT

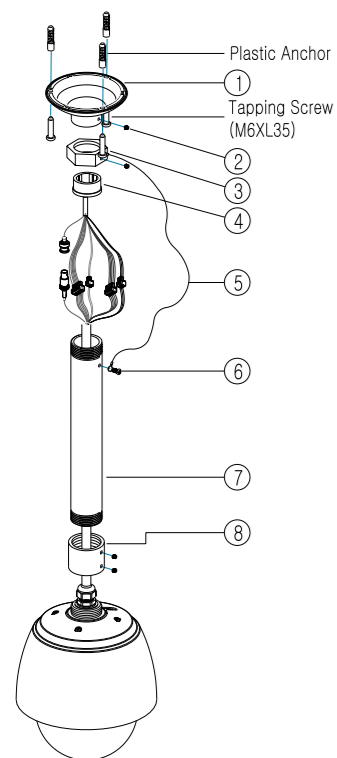


Figure 4. Installation Ceiling Mount

1. Select a suitable mounting location and verify there is sufficient cable to connect with cables from the housing.
 2. Mark and drill mounting holes in the surface using the ceiling mount flange.
 3. Pull out cables required to connect to the dome camera from the ceiling.
 4. Attach the ceiling mount bracket using screws routing cables through the locking nut.
 5. Tighten the housing with the pipe using the coupler after routing cables through the pipe.
 6. Attach the housing's safety wire to the ceiling mount's M6x35 tapping screw.
 7. After connecting cables, fix the pipe to the ceiling mount using the locking nut.
 8. Tighten set screws of the coupler and locking nut with the supplied wrench.
- * Please refer to Parts List

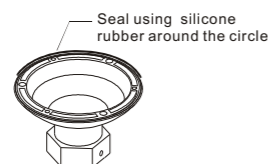
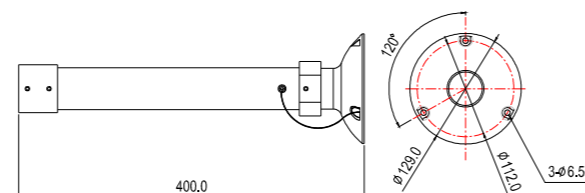


Figure 5. Sealing position

5



< CEILING MOUNT KIT >

Figure 6. Dimension Drawing

Parts List for Ceiling Mount Kit

NO.	PART NAME	MATERIAL	QTY.
1	Ceiling Mount	AL	1
2	Set Screw	M4	4
3	Locking Nut	AL	1
4	coupler	AL	1
5	Safety Wire		1
6	Screw Machine	BH M4, L=8	1
7	Pipe	AL	1
8	coupler	AL	1

* Please refer to Figure 4.

ACCESSORIES for Ceiling Mount Kit

NO.	PART NAME	MATERIAL	QTY.
1	Plastic Anchor	M6	3
2	Tapping Screw	PTS1 M6, L=35	3
3	L-Wrench(For M5 Screw)	M2.5	1

Specification

NO.	Items	HPB241	HPB242
1	Construction	Die Cast and Aluminum	
2	Finish	Light-gray Polyester Powder Coat	
3	Maximum Load	13.2lb (6kg)	
4	Dimension	Refer to the Dimensional Outline	
5	Unit Weight	2.65lb (1.2kg)	3.97lb (1.8kg)
6	Inlet Dimension	PT 1-1/2	PF 1-1/2

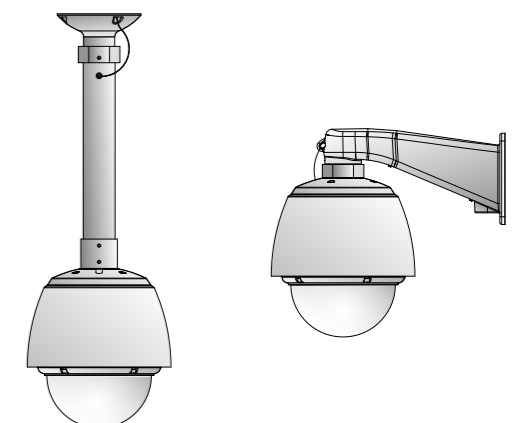
6

Wall & Ceiling Mount Kit

PRINTED IN KOREA

50302161D

Wall & Ceiling Mount Kit



Please read this manual thoroughly before use, and keep it handy for future reference.

1. INTRODUCTION

The mount kit of the speed dome housing is easy and it is suitable in the installation quick. The mount kit is constructed of die-cast aluminum and steel.

2. INSTALLATION

The wall or ceiling mount must be attached to a structural object such as hard wood, concrete that will support the weight of the mount and AIO. The use of a solid backboard is recommended when attaching to gypsum walls.

1. Attach the mounting base to wall using the supplied M8 tapping screw and plastic bushing. (Ceiling using the supplied M6 tapping screw and bushing)
2. Wind the both thread of the pipe end with Teflon tape about 20times for sealing. Then use a silicone rubber sealant to seal the area where the wall (ceiling) mount and the pipe meet.
3. Place a bead of silicone sealant around the wall and ceiling mount mounting flange, press it to the surface and line up the flange hole with drilled holes.

CAUTION : A silicone rubber sealant must be applied to seal the housing to secure waterproofing.

2.1 WALL MOUNT KIT

Note : Refer to Parts List.

1. Mark and drill mounting holes in the surface using the Wall Mount Flange.
2. Pull out cables required to connect to the dome camera from the wall or route cables through a section of 0.75 in. (19mm) conduit pipe.
3. Remove the access plate from the wall mount bracket.
4. Attach the wall mount bracket using screws routing cables through the access plate's hole.
5. Attach the housing's safety wire to the wall mount's latch.
6. Fix the housing to the wall mount bracket using the locking nut after routing cables through the wall mount bracket and tighten the housing set screw with the supplied wrench.
7. After connecting cables, attach the access plate.

1

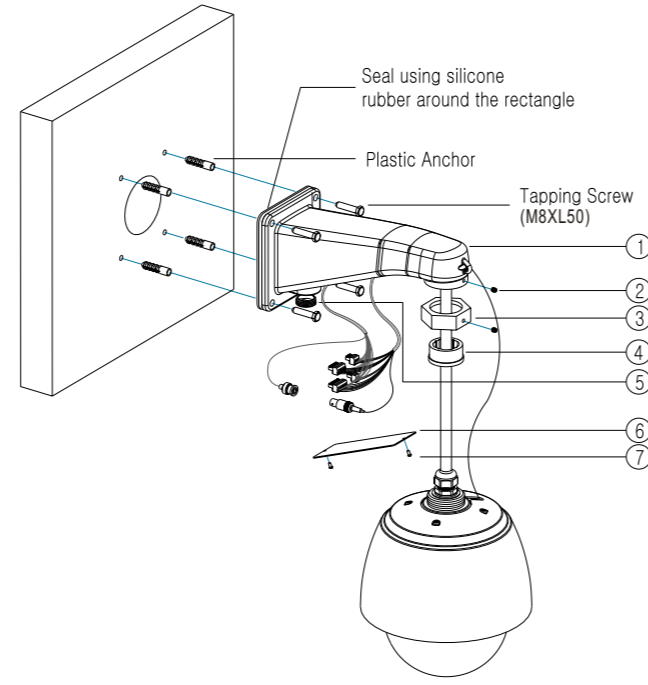


Figure 1. Installation Wall Mount

2

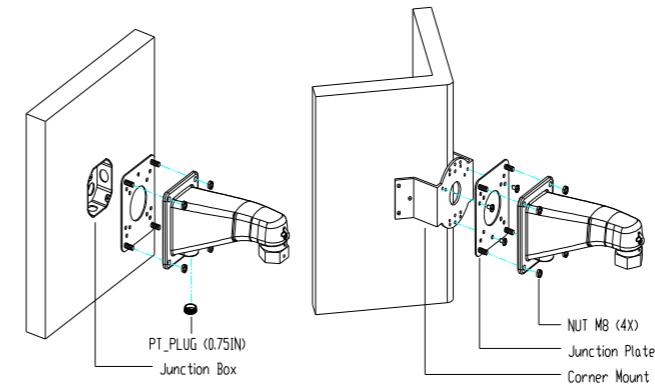
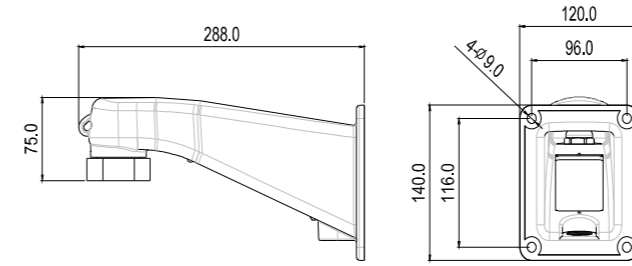


Figure 2. Installation Junction box & Corner mount



< WALL MOUNT KIT >

Figure 3. Dimension Drawing

3

Parts List for Wall Mount Kit

NO.	PART NAME	MATERIAL	QTY.
1	Wall Mount	AL	1
2	Set Screw	M4	2
3	Locking Nut	AL	1
4	Locking Coupler	AL	1
5	PT Plug	3/4"	1
6	Access Plate	EGI	1
7	Screw Maching	PH M3, L=5	2

* Please refer to Figure 1.

ACCESSORIES for Wall Mount Kit

NO.	PART NAME	MATERIAL	QTY.
1	Plastic Anchor	M8	4
2	Tapping Screw(HEX)	PTS1 M8, L=50	4
3	L-Wrench(For M4 Screw)	M2	1
4	PT Plug Tool	GI	1
5	Junction Plate	SS41	1
6	Spring Washer	M8	4
7	Nut(Hex)	M8 PI	4

4

1. INTRODUCTION

The mount kit of the speed dome housing is easy and it is suitable in the installation quick. The mount kit is constructed of die-cast aluminum and steel.

2. INSTALLATION

The wall or ceiling mount must be attached to a structural object such as hard wood, concrete that will support the weight of the mount and AIO. The use of a solid backboard is recommended when attaching to gypsum walls.

1. Attach the mounting base to wall using the supplied M8 tapping screw and plastic bushing. (Ceiling using the supplied M6 tapping screw and bushing)
2. Wind the both thread of the pipe end with Teflon tape about 20times for sealing. Then use a silicone rubber sealant to seal the area where the wall (ceiling) mount and the pipe meet.
3. Place a bead of silicone sealant around the wall and ceiling mount mounting flange, press it to the surface and line up the flange hole with drilled holes.

CAUTION : A silicone rubber sealant must be applied to seal the housing to secure waterproofing.

2.1 WALL MOUNT KIT

Note : Refer to Parts List.

1. Mark and drill mounting holes in the surface using the Wall Mount Flange.
2. Pull out cables required to connect to the dome camera from the wall or route cables through a section of 0.75 in. (19mm) conduit pipe.
3. Remove the access plate from the wall mount bracket.
4. Attach the wall mount bracket using screws routing cables through the access plate's hole.
5. Attach the housing's safety wire to the wall mount's latch.
6. Fix the housing to the wall mount bracket using the locking nut after routing cables through the wall mount bracket and tighten the housing set screw with the supplied wrench.
7. After connecting cables, attach the access plate.

1

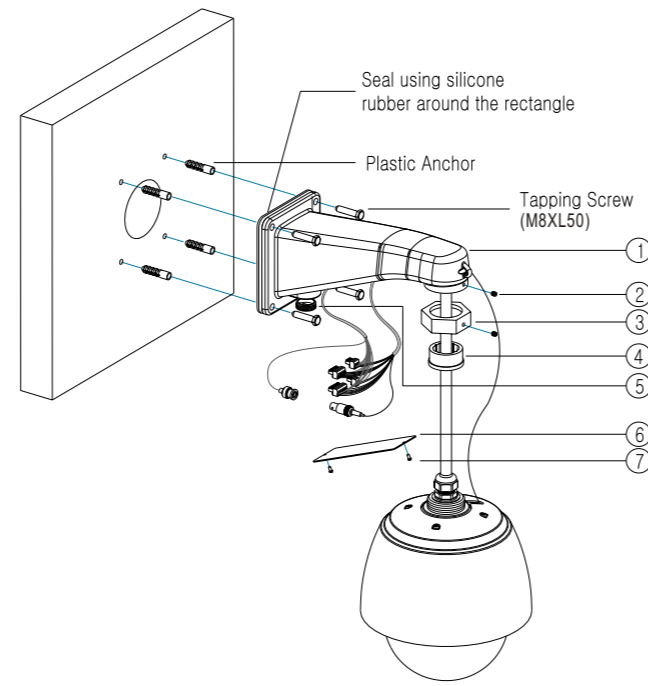


Figure 1. Installation Wall Mount

2

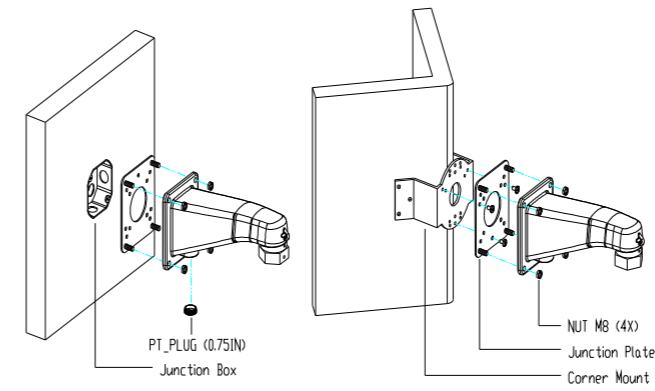
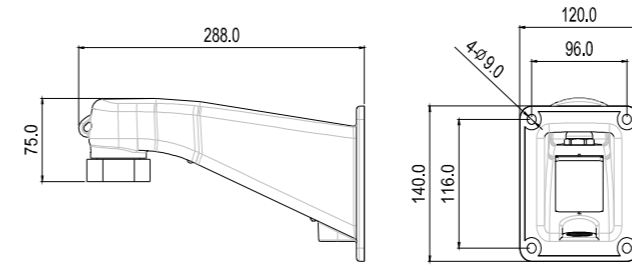


Figure 2. Installation Junction box & Corner mount



< WALL MOUNT KIT >

Figure 3. Dimension Drawing

3

Parts List for Wall Mount Kit

NO.	PART NAME	MATERIAL	QTY.
1	Wall Mount	AL	1
2	Set Screw	M4	2
3	Locking Nut	AL	1
4	Locking Coupler	AL	1
5	PT Plug	3/4"	1
6	Access Plate	EGI	1
7	Screw Maching	PH M3, L=5	2

* Please refer to Figure 1.

ACCESSORIES for Wall Mount Kit

NO.	PART NAME	MATERIAL	QTY.
1	Plastic Anchor	M8	4
2	Tapping Screw(HEX)	PTS1 M8, L=50	4
3	L-Wrench(For M4 Screw)	M2	1
4	PT Plug Tool	GI	1
5	Junction Plate	SS41	1
6	Spring Washer	M8	4
7	Nut(Hex)	M8 PI	4

4