

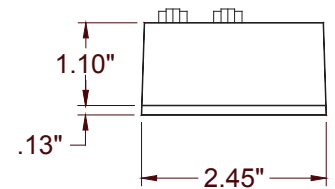
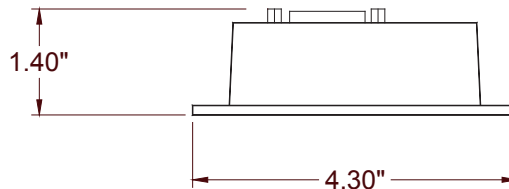
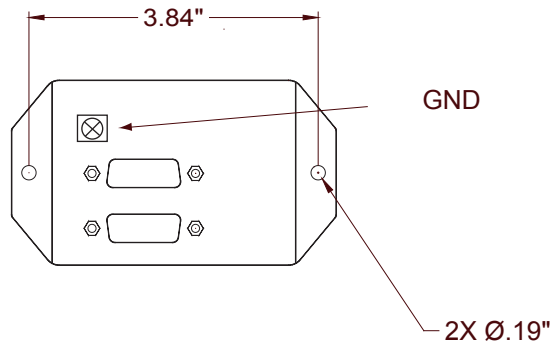
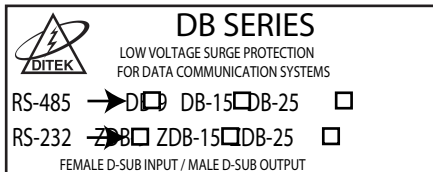
DTK-DB SERIES

SURGE PROTECTION FOR DATA COMMUNICATION SYSTEMS

INSTALLATION INSTRUCTIONS

NOTE: THIS DEVICE IS INTENDED FOR INDOOR USE ON RS232 OR RS485 DATA COMMUNICATION CIRCUITS UTILIZING 9,15, OR 25 PIN D-SUB CONNECTORS.

1. THIS DEVICE MUST BE CONNECTED IN SERIES BETWEEN THE FIELD WIRING AND THE EQUIPMENT TO BE PROTECTED.
2. USING THE APPROPRIATE CABLE ASSEMBLIES (9, 15, OR 25 PIN), CONNECT THE INPUT FROM FIELD WIRING TO THE FEMALE D-SUB CONNECTOR AND CONNECT THE OUTPUT TO PROTECTED EQUIPMENT TO THE MALE D-SUB CONNECTOR.
3. ALLOW THE SURGE PROTECTOR REACTION TIME BY PROVIDING 3-5 WIRE FEET BETWEEN THE DTK- UNIT AND THE EQUIPMENT TO BE PROTECTED.
4. SECURELY MOUNT THE BASE USING THE DOUBLE SIDED TAPE (SUPPLIED), OR TWO #8 SCREWS (NOT SUPPLIED).
5. MAKE SURE THE WIRE DISTANCE FROM THE SURGE PROTECTOR TO PROTECTED EQUIPMENT IS GREATER THAN THE WIRE DISTANCE FROM THE SURGE PROTECTOR TO GROUND.
6. USE ONE COMMON GROUND PER SYSTEM TO ELIMINATE THE POSSIBILITY OF A DIFFERENCE IN GROUND POTENTIALS.
7. IF YOU HAVE ANY QUESTIONS CALL TECHNICAL SUPPORT AT: 1-888-472-6100.



Diversified Technology Group, Inc.

1720 Starkey Road Largo, Florida 33771
Tel. 727-812-5000 Fax 727-812-5026

TITLE: INSTALLATION INSTRUCTIONS DTK-DB Series

MATERIAL:

APPROVED BY:

FINISH:

DRAWN BY:

DATE:

REVISED:

DWG NO.

PART NO.

REV.

RWM

8/12/03

INT-100040-001

200707

0