

# PHOTOELECTRIC BEAM AUTO DOOR SENSOR

DA-101E (B)    DA-101E (S)  
BRONZE                      SILVER

DA-101E (W)    DA-101E (BL)  
WHITE                      BLACK



## LOW COST TYPE STATIONARY DETECTION AUTO DOOR SENSOR !

Auto door sensor DA-101E series is designed to issue a signal to auto-door engine, by detecting the moving human or object with near infra-red beam.

---

### STATIONARY DETECTION

- 4 steps of Stationary detection time "2 secs" "15 secs" "60 secs" "180 secs" are selectable by DIP switches.

---

### 2 WAY POWER SYSTEM

- Applicable for both of AC/DC power supply

---

### SELECTABLE FREQUENCY

- 4 frequencies are selectable to prevent interference when more than 2 sensors are used in close proximity to each other.

---

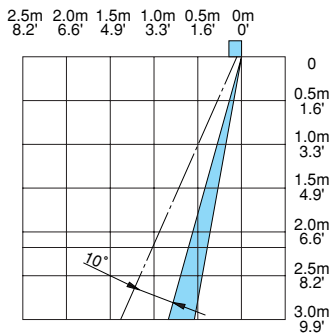
### CONVENIENT PATTERN ADJUSTMENT

- The body of the sensor can be rotated vertically from 0° to 10° (5 steps).
- Patterns for single or double doors can be selected with pattern width switch.

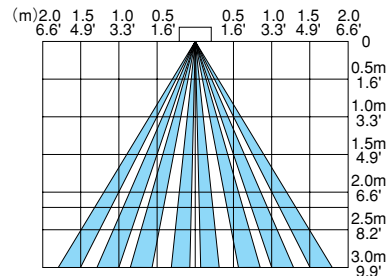
# PHOTOELECTRIC BEAM AUTO DOOR SENSOR

## DETECTION AREA

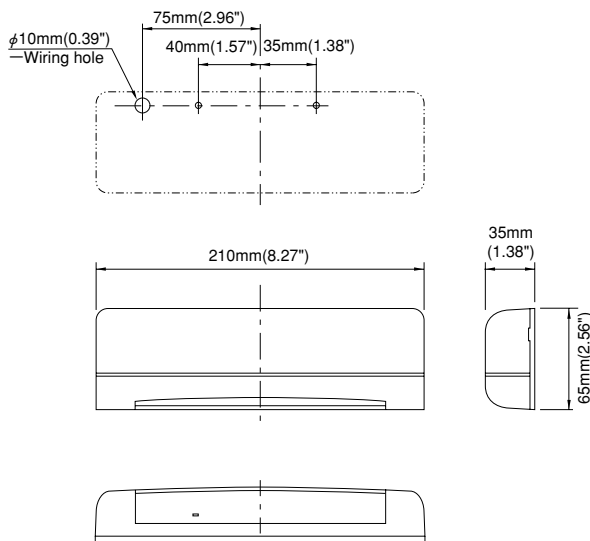
<SIDE VIEW>



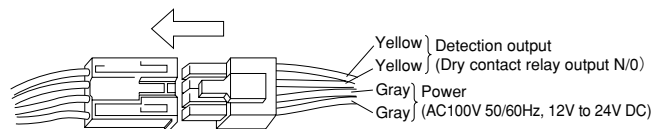
<FRONT VIEW>



## EXTERNAL DIMENSIONS (unit:mm)



## WIRING CONNECTION

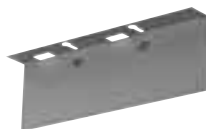


## OPTIONAL

●Waterproof cover  
(BK-301)



●Bracket  
(MB-301)



## SPECIFICATIONS

Model	DA-101E Motion & Presence Sensor
Detection Method	Active Infrared Detection
Maximum Installed Height	3m (10ft.)
Pattern Adjustments	Pattern Width (wide or narrow) Pattern Depth Angle Adjustment 0° to 10° in 5 steps Sensitivity
Power Supply	12 to 24V AC or DC +/-10% GRAY wires (non-polarity)
Power Consumption	AC24V-1.3VA, AC12V-1.0VA DC24V-40mA, DC12V-80mA
Output Contact	Relay: DC50V 0.1A (Resistor Load ) Yellow Wire: Normally Open Yellow Wire: Common
Output Holding Time	Approx. 0.5 seconds
Presence Timer	Limits of 180, 60, 15 and 2 seconds
LED Indication	RED-Detecting, GREEN-Standby
Temperature Range	-4 F° to 140 F° (-20°C to 60°C)
Weight	0.190kg (0.42lbs.)
Color	Black or Silver (Painting is possible)
Accessories	Cable : 2.0m (6.5ft), Mounting Template, Installation Instructions

**Please note :** This sensor is designed to detect intrusion and to initiate an alarm; it is not a burglary or a crime preventing device. TAKEX is not responsible for damage, injury or losses caused by accident, theft, Acts of God (including inductive surge by lightning), abuse, misuse, abnormal usage, faulty installation or improper maintenance.

# TAKEX

### In Japan

**Takenaka Engineering Co., Ltd.**  
83-1, Gojo-sotokan,  
Higashino, Yamashina-ku,  
Kyoto 607-8156, Japan  
Tel : 81-75-501-6651  
Fax: 81-75-593-3816  
<http://www.takex-eng.co.jp/>

### In the U.S.

**Takex America Inc.**  
1330, Orleans Drive,  
Sunnyvale,  
CA 94089, U.S.A.  
Tel : 408-747-0100  
Fax: 408-734-1100  
<http://www.takex.com>

### In Australia

**Takex America Inc.**  
Unit 16, 35 Garden Road,  
Clayton 3168, Victoria,  
Australia  
Tel : 03-9546-0533  
Fax: 03-9547-9450

**Takex America Inc.**  
Brisbane office : 1/50 Logan  
Road, Woolloongabba  
Queensland  
4102, Australia  
Tel : 07-3891-3344  
Fax: 07-3891-3355

### In the U.K.

**Takex Europe Ltd.**  
Takex House, Aviary Court,  
Wade Road, Basingstoke,  
Hampshire. RG24 8PE, U.K.  
Tel : (+44)01256-475555  
Fax: (+44)01256-466268  
<http://www.takexeuropa.com>