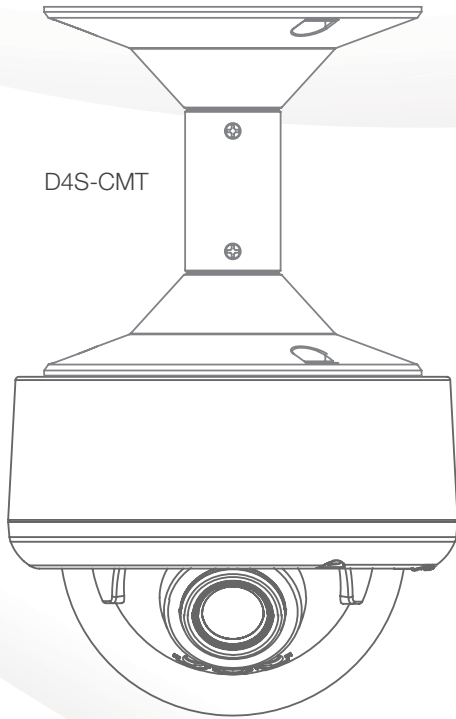
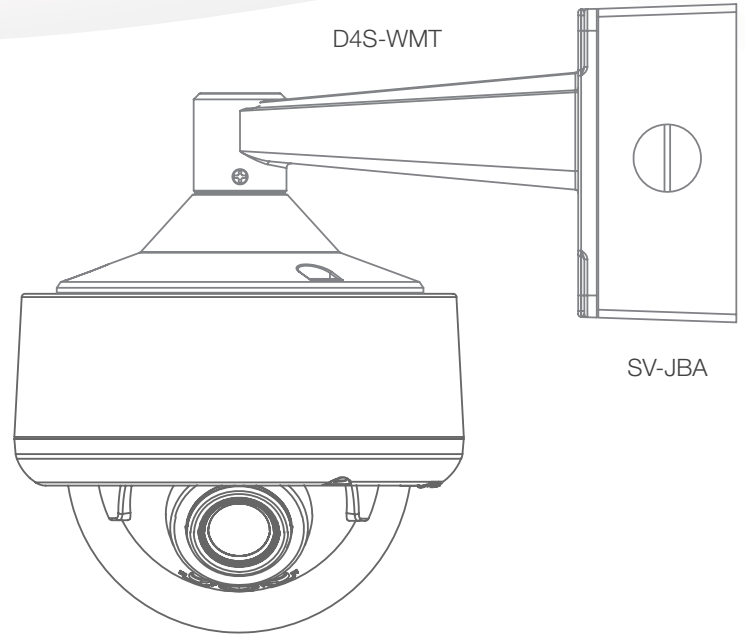


MegaBall® Series Accessories

Accessories for MegaBall® and MegaBall® 2 Indoor Ceiling and Wall Mounting Solutions



Ceiling Mount Configuration



Wall Mount Configuration

Model Compatibility

1.3 Megapixel	1080p	1080p WDR	3 Megapixel	3 Megapixel WDR	5 Megapixel
AV1145DN-3310-D	AV2245PM-D	AV2246PM-D	AV3245PM-D	AV3246PM-D	AV5245PM-D
AV1145DN-3310-D-LG	AV2245PM-D-LG	AV2246PM-D-LG	AV3245PM-D-LG	AV3246PM-D-LG	AV5245PM-D-LG
AV2145DN-3310-D	AV2145DN-3310-D	AV2146DN-3310-D	AV3145DN-3310-D	AV3146DN-3310-D	AV5245DN-01-D
AV2145DN-3310-D-LG	AV2145DN-3310-D-LG	AV2146DN-3310-D-LG	AV3145DN-3310-D-LG	AV3146DN-3310-D-LG	AV5245DN-01-DA
AV2145DN-3310-DA	AV2145DN-3310-DA			AV3146DN-3310-DA	AV5245DN-01-D-LG
AV2145DN-3310-DA-LG	AV2145DN-3310-DA-LG			AV3146DN-3310-DA-LG	AV5245DN-01-DA-LG
					AV5145DN-3310-D
					AV5145DN-3310-D-LG



Surface Mount (-D)

D4S-CMT / D4S-CMT-B

Pendant Mount

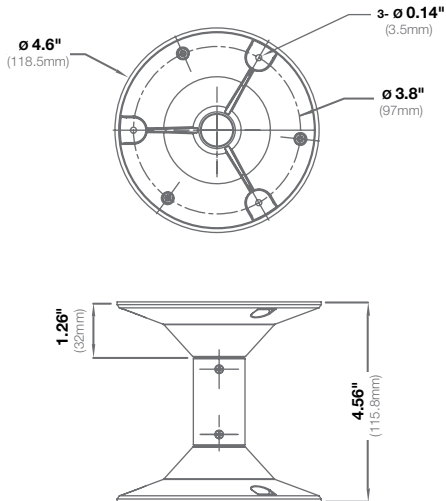


Features:

- Easy Installation and Superior Design
- Heavy Duty Enclosure Protection for Applications in Harsh Environments
- Di-Cast Aluminum is Resistant to Impact and Salt Damage

Compatibility	Compatible with 3/4" NPT standard
	Works with MegaBall® and MegaBall® 2 surface mount domes and MegaVideo® Compact D4S (surface mount dome)

Mechanical	Casing Material	Aluminum
	Color	Ivory (Pantone cool gray 1c) or Matte Black (-B)
	Dimensions	Ø 4.6" (118.5mm) x 4.58" H (115.8mm)
	Weight	w/o Camera 0.46lbs (0.21kg)



D4S-WMT / D4S-WMT-B

Wall Mount

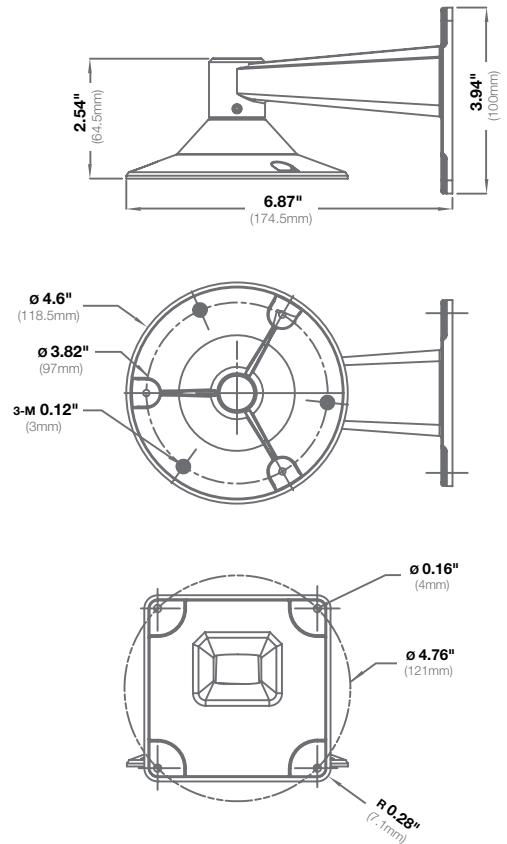


Features:

- Easy Installation and Superior Design
- Heavy Duty Enclosure Protection for Applications in Harsh Environments
- Di-Cast Aluminum is Resistant to Impact and Salt Damage

Compatibility	Compatible with 3/4" NPT standard
	Works with MegaBall® and MegaBall® 2 surface mount domes and MegaVideo® Compact D4S (surface mount dome)

Mechanical	Casing Material	Aluminum
	Color	Ivory (Pantone cool gray 1c) or Matte Black (-B)
	Dimensions	Ø 4.6" (118.5mm) x 3.93" H (100mm)
	Weight	w/o Camera 0.54lbs (0.25kg)



SV-JBA

Junction Box Adapter

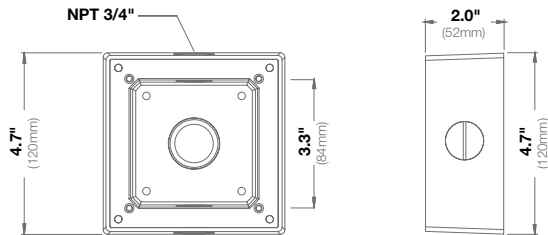


Features:

- Easy Installation and Superior Design
- Heavy Duty Enclosure Protection for Applications in Harsh Environments
- Di-Cast Aluminum is Resistant to Impact and Salt Damage

Compatibility Compatible with 3/4" NPT standard

Mechanical	Casing Material	Aluminum
		IP66 Outdoor Protection Grade
	Color	Ivory (Pantone cool gray 1c)
	Dimensions	4.7" L (120mm) x 4.7" W (120mm) x 2.0" H (52mm)
	Weight	w/o Camera 1.3lbs (0.63kg)



SV-EBA

Electrical Box Adapter



Features:

- Easy Installation and Superior Design
- Heavy Duty Enclosure Protection for Applications in Harsh Environments
- Di-Cast Aluminum is Resistant to Impact and Salt Damage

Compatibility Compatible with 3/4" NPT standard

Mechanical	Casing Material	Aluminum
	Color	Ivory (Pantone cool gray 1c)
	Dimensions	4.7" L (120mm) x 4.7" W (120mm) x 0.15" H (4mm)
	Weight	w/o Camera 0.3lbs (0.13kg)

