



D100 Series

*100kA/Φ, 50kA/Mode Surge Protective Device
General Product Specifications*

DITEK's D100 industrial surge protectors are designed to provide protection to AC power systems in the most demanding environments. The D100 incorporates individually fused components for maximum performance and protection. Available in a wide range of voltage configurations, the compact D100 is an excellent choice for electrical panel protection.



D100

Product Features

- Suitable for use on distribution and branch panels
- Compact size enables close mounting to the protected panel to minimize wire length and maximize performance
- 100,000 Amp peak surge current capacity ensures long service life
- Available in 7 voltage configurations
- Diagnostic LED indicates system power and SPD function
- Complies with ANSI/IEEE C62.41 and C62.45 Category B and C3 standards
- Ten year limited warranty

Specifications

Agency Approvals: UL 1449, 3rd Edition, cUL
IEEE Location Category: Category B and C3
Protector Type: SPD Type 1 (US), Type 2 (Canada)
Peak Surge Current: 100kA/Phase, 50kA/Mode
Short Circuit Current Rating: 100,000A
Protection Modes: All Modes – L-G, L-N, L-L, N-G (Single Phase and Wye); L-G, L-L (Delta)
Temperature Range: -40° – 140°F (-40° – 60°C)
Maximum Humidity: 95% non-condensing
Operating Frequency: 40Hz – 400Hz
Housing: NEMA 4X
Dimensions: 4.7”H x 4.7”W x 2.4”D
(119mm x 119mm x 61mm)
Connection: ½” NPT conduit, watertight fittings
Weight: 2lb. (.9kg)
Options: Flush Mount Kit, D100-FMK
Dimensions: 6.5” x 6.5” Plate (165mm X 165mm)





D100 Series

*100kA/Φ, 50kA/Mode Surge Protective Device
General Product Specifications*

D100 Surge Protection

Dimensions:

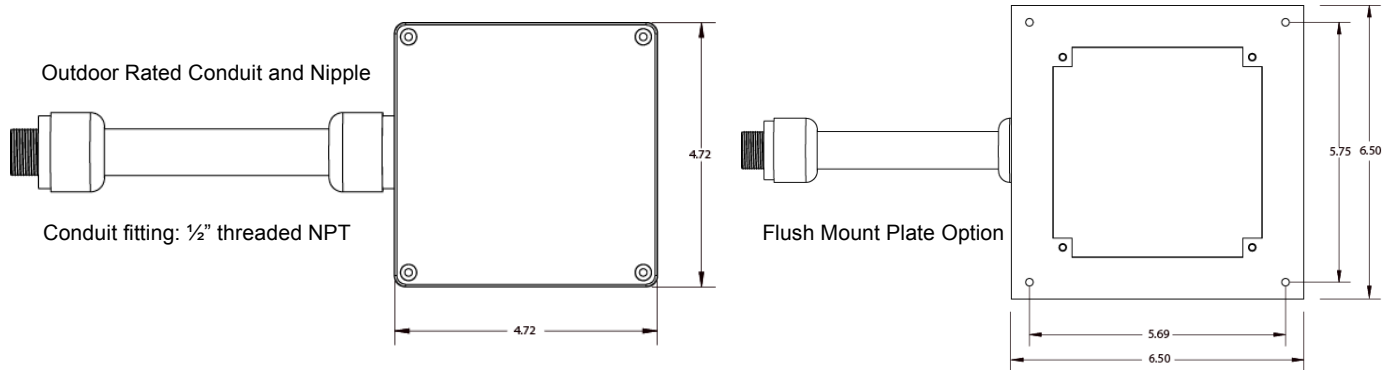
4.7”H x 4.7”W x 2.4”D
(119mm x 119mm x 61mm)

Option Codes:

Flush Mount Kit:
D100-FMK

Ordering Example:

D100-120/2083Y: D100 for 100kA,
3 Wye for 4W+G, 120/208V system



Technical Specifications

D100 Series	Service Wiring	MCOV	UL 3 rd Ed. I _n Rating	UL 1449, 3 rd Edition Voltage Protection Rating (VPR)			
				L-N	L-G	N-G	L-L
D100-120/2401	120/240VAC Split Φ	150V/300V	20kA	600V	600V	900V	1000V
D100-120/2083Y	120/208VAC Three Φ Wye	150V/300V	20kA	600V	600V	900V	1000V
D100-120/240HL	120/240VAC Three Φ High Leg Delta	150V/300V	20kA	600V/ HL 1000V	600V/ HL 1200V	900V	1000V/ HL 1800V
D100-277/4803Y	277/480VAC Three Φ Wye	320V/640V	20kA	1000V	1200V	1800V	1800V
D100-2403D	240VAC Three Φ Delta	320V/640V	20kA	N/A	1200V	N/A	1800V
D100-4803D	480VAC Three Φ Delta	480V/960V	20kA	N/A	1800V	N/A	4000V
D100-6003D	600VAC Three Φ Delta	840V/1680V	10kA	N/A	2500V	N/A	5000V

