



UL 1034  
UL 294



UL10C/  
CAN4-S104,  
90min. Fire rating

## CX-ED1410

### 'ANSI' GRADE 1 FIRE RATED ELECTRIC STRIKE



#### FEATURES

- CENTERLINE LATCH ENTRY, FOR CYLINDRICAL LOCKSETS
- UL 90 MINUTE FIRE AND UL1034 BURGLARY LISTED
- 3/4" (19 MM) LATCH PROJECTION
- DUAL VOLTAGE 12/24V AC/DC
- TRIM PLATE INCLUDED
- FIELD SELECTABLE FAIL SAFE/FAIL SECURE OPERATION
- NOTE: FIRE RATING APPLICABLE ONLY WHILE IN FAIL SECURE MODE
- ANSI SQUARE FACEPLATE INCLUDED, 4 7/8" x 1 1/4" (124mm x 32mm)
- 5 YEAR WARRANTY

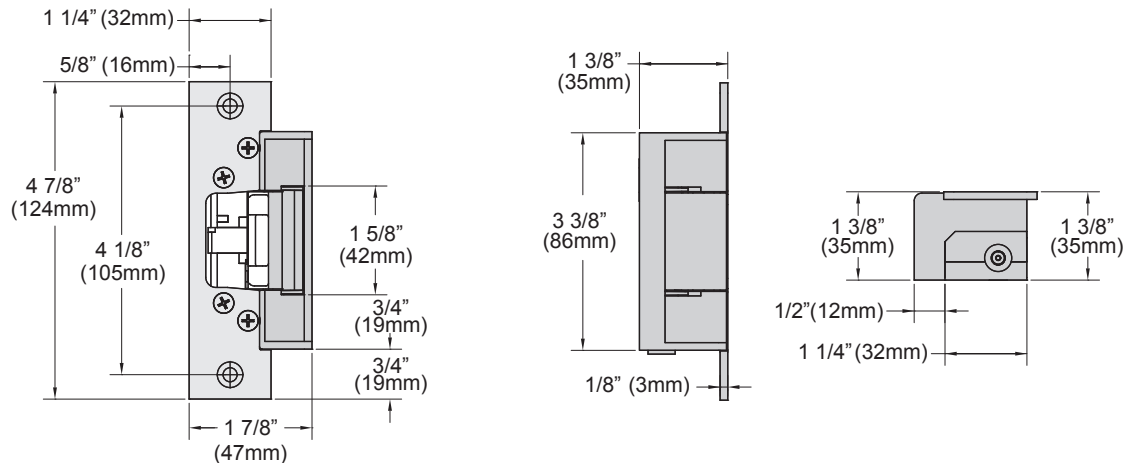
#### DESCRIPTION

**Camden CX-ED1410** Grade 1 ANSI fire strike for UL fire rated doors/frames with cylindrical locksets, offers the very best electric strike quality and performance. This 'ANSI' strike is designed to deliver unparalleled application flexibility, with field selectable voltage and fail safe/fail secure operation, over many years of trouble free service.



CX-ED1410

#### DIMENSIONS



ELECTRIC STRIKES

CABINET LOCKS

MAGNETIC LOCKS

DOOR ALARMS

RELAYS & TIMERS

POWER SUPPLIES

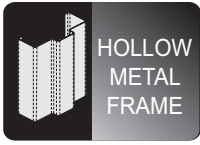
TRANSFORMERS

ANNUNCIATORS

RESTROOM CONTROL KITS

# CX-ED1410 'ANSI' GRADE 1 FIRE ELECTRIC STRIKE

## DOOR FRAME TYPES



## COMPATIBLE LOCKSETS



## SPECIFICATIONS

VOLTAGE:	12/24V AC/DC
CURRENT DRAW:	260MA@12V AC/DC 150MA@24V AC/DC
STATIC HOLD FORCE:	1,500 LBS.
DYNAMIC STRENGTH:	70 FT-LBS.
ENDURANCE:	1,000,000 CYCLES (FACTORY TESTED) 250,000 CYCLES (UL VERIFIED)
FIRE RATING:	90 MINUTES (UL VERIFIED)
LATCH PROJECTION:	5/8" - 3/4" (16mm - 19mm)
MODE:	FIELD SELECTABLE FAIL SAFE/FAIL SECURE (FIRE RATED IN FAIL SECURE MODE ONLY)
OPERATION:	AC – BUZZ, DC – SILENT
DUTY:	CONTINUOUS
DIMENSIONS (BODY):	3 3/8"L x 1 7/8"W x 1 3/8"D (86mm x 47mm x 35mm)

## ORDERING INFORMATION

CX-ED1410: GRADE 1 'ANSI' FIRE ELECTRIC STRIKE, 12/24V AC/DC,  
FAIL SAFE/FAIL SECURE OPERATION

## CUTTING JIG

CX-JIG3: JIG FOR INSTALLING ANSI STRIKES WITH 3/4" LATCH



CX-JIG3