

CX-ED1079L/DL 'Universal' Electric Strike Installation Instructions

This Package Includes:

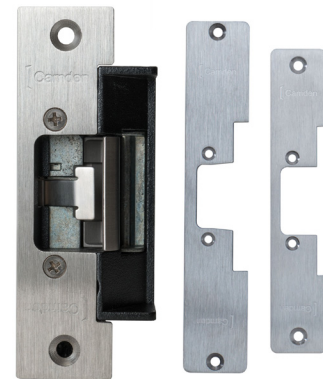
- | | |
|--------------------------------------|-----------------------------|
| 1- 4 PIN power connector | 2- #10 x 1 1/4" wood screws |
| 1- 3 PIN door status connector | 2- #10-32 x 1/2" screws |
| 1- ESP1B, ESP3B and ESP4B faceplates | 2- Mounting brackets |
| 4- Wire nuts | 2- Spacers |
| 5- M5 x 12 mm screws | 1- Varistor |

1. Description

Camden CX-ED1079L/DL Grade 1 ANSI strikes for cylindrical locksets offer the very best strike quality and performance, with three stainless steel faceplates provided. The 'Universal' strike design delivers unparalleled application flexibility, with field selectable voltage, fail safe/fail secure operation and mechanical adjustment of the strike body.

2. Specifications

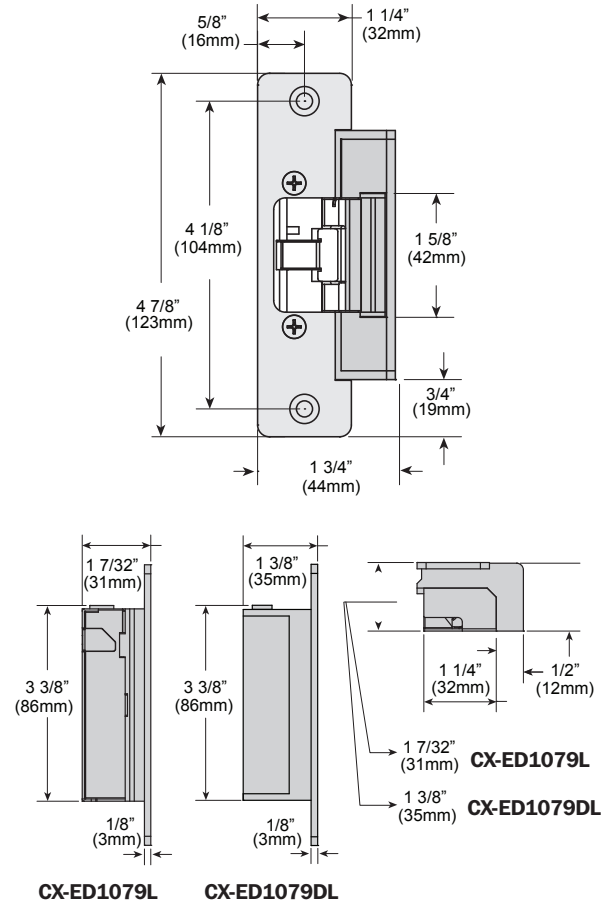
Voltage	12/24V AC/DC
Current Draw	260mA@12V DC 150mA@24V DC
Static Strength	1,500 Lbs.
Dynamic Strength	70 Ft-Lbs.
Endurance	1,000,000 Cycles (Factory Tested) 250,000 Cycles (UL Verified)
Mode	Field Selectable Fail Safe/Fail Secure
Mech. Adjustment	Strike Body/Faceplate
Operation	AC-Buzz, DC-Silent
Duty	Continuous
Latch Bolt Monitor	SPDT, 100mA @ 24V DC
Dimensions (Body)	<p>CX-ED1079L: 3 3/8" H x 1 3/4" W x 1 7/32" D (86mm x 44mm x 31mm)</p> <p>CX-ED1079DL: 3 3/8" H x 1 3/4" W x 1 3/8" D (86mm x 44mm x 35mm)</p>



UL 294 Performance Levels

- Line Security = Level I
- Attack Level = Level I
- Endurance Level = Level IV
- Standby Power = Level I

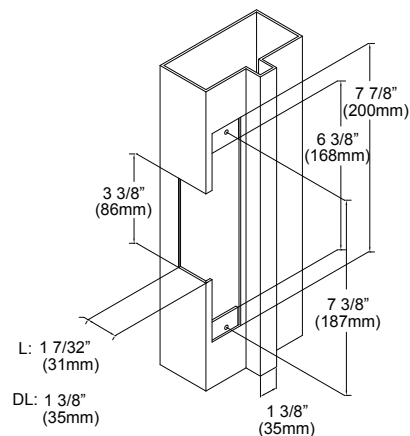
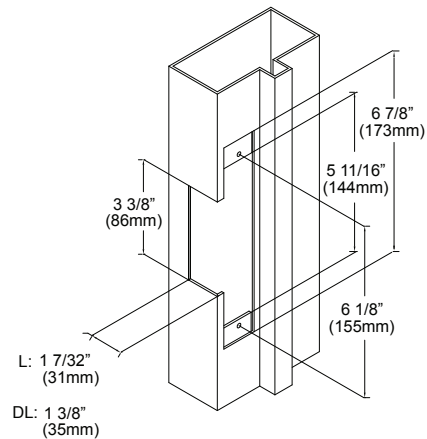
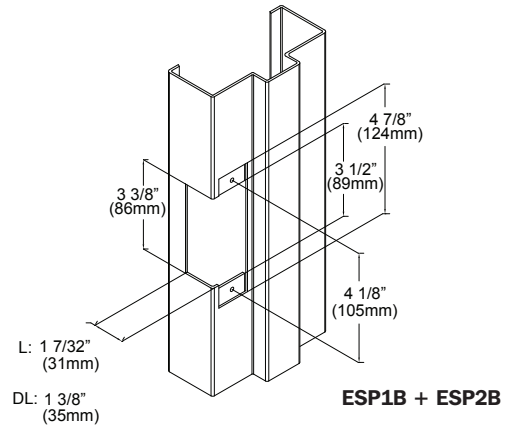
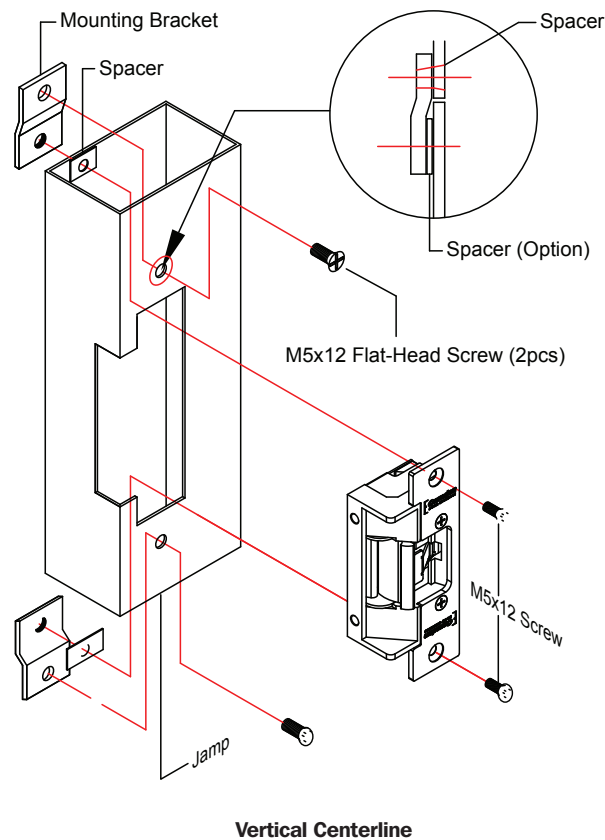
3. Dimensions



4. Installation

1. Prepare the door jamb as per the appropriate drawing.
2. Install mounting brackets to jamb using M5x12 screws and pressed metal nuts. Do not tighten.
3. Spacers are used to assure flush final assembly of faceplate into jamb. Add one or more spacers between jamb and mounting bracket when face plate extends beyond the jamb. When the faceplate sits inside the jamb, spacers must be added between the mounting

4. Connect wires coming from the low voltage side of the transformer to wires (black) from strike.
5. Install electric strike jamb by attaching with # 10-32 screws and lockwashers.
6. Tighten secure M5x12 screws holding mounting brackets to jamb.



Note: The products are intended to be installed in accordance with the installation wiring diagram, mechanical assembly drawings provided with each product, the local authority having jurisdiction (AHJ) and the National Electric Code, NFPA 70. When installed in fail secure mode, the local authority shall be consulted with regard to the use of possible panic hardware to allow emergency exit from the secure area.

The electric door strike shall be installed in such a way and in such a location so as to not impair the operation of an emergency exit device or panic hardware mounted on the door.

5. Connections

POWER

12V AC/DC

Red/Black: +12V
Blue/Green: Ground

24V AC/DC

Red: +24V
Black/Blue: -
Green: Ground

A varistor is provided to protect/prevent strike from spikes. Connect varistor between input wires.

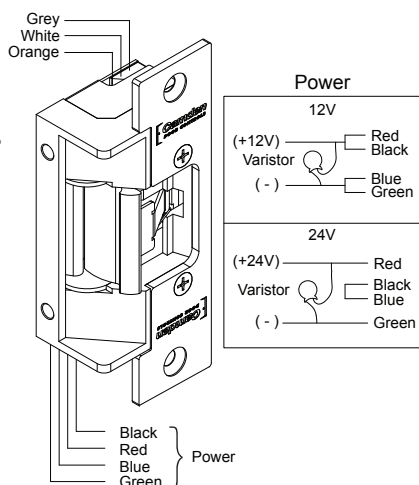
Note: For UL 294 / UL 1034 compliance the door strikes are to be powered via a UL 294/ UL 603 class 2 power limited output from a control panel and or power supply. Furthermore, when powered by AC/DC the units shall use a UL regulated UL 294/ UL 603 power limited class 2 output rated 12/24V with AC on indicator.

Door Status Sensor (Closed position)

White = N/O

Grey = N/C

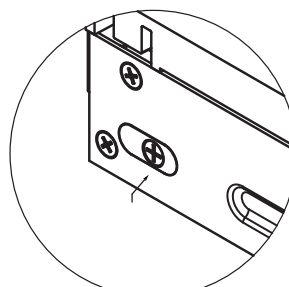
Orange = COM



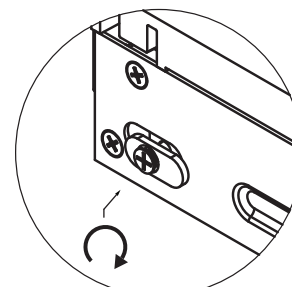
6. Operation

How to modify fail-safe to fail-secure or vice versa.

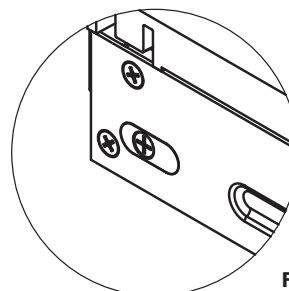
- (1). Loosen the screw as per the product diagram below.
- (2). Rotate the set plate 180° and slide the plate until it is properly seated.
- (3). Tighten the screw.



Fail Safe



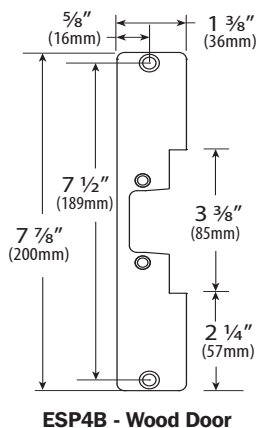
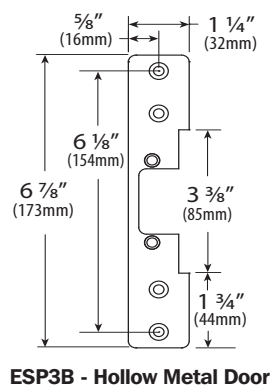
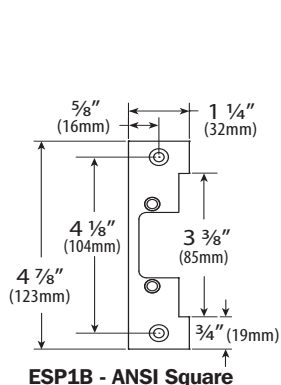
Changing



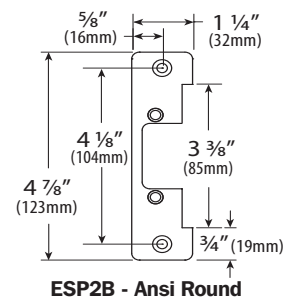
Fail Secure

7. Faceplates

INCLUDED IN PACKAGE



ADDITIONAL FACEPLATE



Push Buttons



Keypads



Strikes



Magnetic Locks



Key Switches



Relays & Timers



Access Control



5502 Timberlea Blvd.,
Mississauga, ON Canada
L4W 2T7

www.camdencontrols.com
Toll Free: 1.877.226.3369



Certified ISO 9001:2008

File: CX-ED1079L/DL Designer
Installation Instructions.indd R4
Revision: 04/11/2018
Part No.: 40-82B192