



CX-247

7 DAY PROGRAMMABLE TIMER

FEATURES

- MICROPROCESSOR CONTROL
- 8 DAILY & WEEKLY SCHEDULES
- EXTREMELY COMPACT SIZE
- MEMORY BACKUP
- EASY MOUNTING
- 16 AMP CONTACTS
- FIRST MAN IN OPTION



CX-247

DESCRIPTION

CAMDEN DOOR CONTROLS CX-247 is an ultra compact programmable 7 day timer. It features a large digital display, and 8 flexible easy-to-program on/off schedules. An internal permacell keeps the programs and display readable in the event of a power loss or brownout.

The CX-247 can be ordered to operate on 12V, or 24V, AC/DC. The heavy duty relay contacts are rated at 16 amps @ 30V DC.

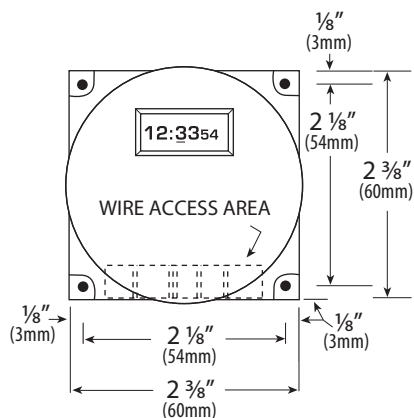
The "First-Man-In" option maintains security during "Snow-days", sick days, employee absenteeism. The timer schedule does not engage, (and the door remains locked) until the "First-Man-In" activates the entry system.

APPLICATION

The CX-247 can automatically and reliably control electrified locks and magnets, automatic overhead and pedestrian doors, or control lighting or energy management devices.

The "First-Man-In" option eliminates the need for a complex 365-day timer.

The compact size and dust and water resistant enclosure, ensure it will meet virtually any timing application.

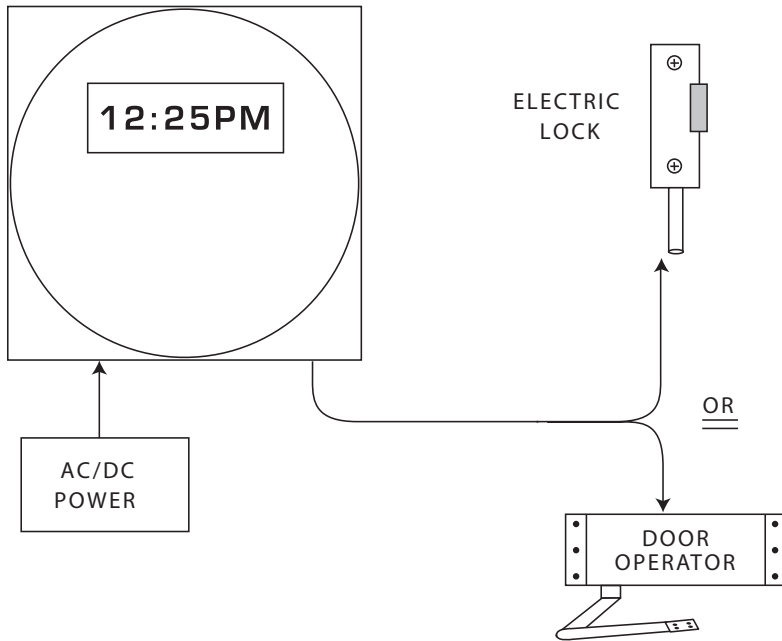


CX-247

7 DAY PROGRAMMABLE TIMER



TYPICAL APPLICATION



SPECIFICATIONS

	CX-247-12	CX-247-24
OPERATING VOLTAGE	12V AC/DC	24 V AC/DC
DIMENSIONS	2 3/8" L x 2 3/8" W x 1 1/4" D (60 mm x 60 mm x 32 mm)	
MOUNTING	4 MOUNTING SCREWS	
ENCLOSURE	WHITE ABS PLASTIC	
CURRENT DRAW	0.1 MA IDLE, 10 MA OPERATING	
RESPONSE TIME	.03 SECONDS	
BACK UP	INTERNAL PERMACELL	
PROGRAMS	8	
RELAY OUTPUTS	1 x FORM C (SPDT)	
CONTACT RATING	16 AMPS @ 30V DC	
ELECTRICAL LIFE	250,000 @ RATED CAPACITY	

OPTIONS:

H Adds "First-Man-In" option to Relay