

## SERIES 20

### CENTERLINE LATCH ENTRY, 5/8" - 3/4" LATCH PROJECTION



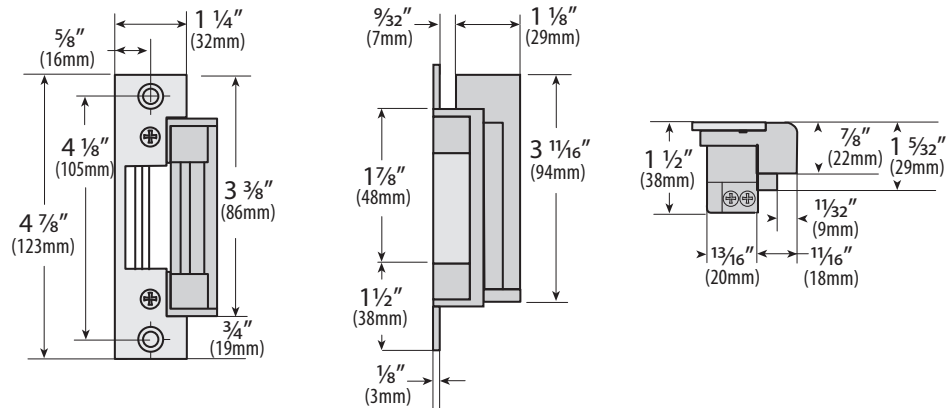
#### FEATURES

- BHMA GRADE 2
- UL 1034 BURGLARY-RESISTANT
- STATIC STRENGTH 1,500 LBS
- DYNAMIC STRENGTH 50 FT-LBS
- ENDURANCE RATING 1,000,000 CYCLES
- STRIKE DEPTH 1 1/2"
- FAIL SECURE AND FAIL SAFE MODELS
- FULLY REVERSIBLE FOR RIGHT OR LEFT-HAND DOORS
- CONTINUOUS DUTY OPERATION (DC)
- 5 YEAR WARRANTY
- FOUR FACEPLATE OPTIONS

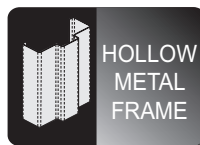
#### DESCRIPTION

Designed for medium-duty applications. Deep latch cavity accommodates cylindrical locksets with a 5/8" to 3/4" throw (3/4" requires 1/8" door gap) in hollow metal, aluminum or wood frames.

#### DIMENSIONS



#### DOOR FRAME TYPE



#### COMPATIBLE LOCKSETS



# SERIES 20 ELECTRIC STRIKES

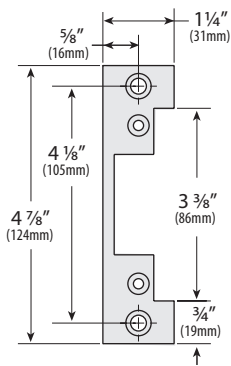
## ORDERING INFORMATION

DESCRIPTION	STRIKES COMPLETE WITH FACEPLATE				
	STRIKE ONLY NO FACEPLATE	ANSI SQUARE 4 7/8" X 1 1/4"	ANSI ROUND 4 7/8" X 1 1/4"	HOLLOW METAL DOOR 6 7/8" X 1 1/4"	WOOD DOOR 7 15/16" X 1 1/4"
MODEL	MODEL	MODEL	MODEL	MODEL	MODEL
FAIL SECURE 8-16V AC/DC (.350/.485 AMPS)	CX-EL2001	CX-EL2011	CX-EL2021	CX-EL2031	CX-EL2041
FAIL SECURE 12V DC (.210 AMPS)	CX-EL2005	CX-EL2015	CX-EL2025	CX-EL2035	CX-EL2045
FAIL SECURE 24V DC (.105 AMPS)	CX-EL2008	CX-EL2018	CX-EL2028	CX-EL2038	CX-EL2048
FAIL SAFE 12V DC (.210 AMPS)	CX-EU2005	CX-EU2015	CX-EU2025	CX-EU2035	CX-EU2045
FAIL SAFE 24V DC (.105 AMPS)	CX-EU2008	CX-EU2018	CX-EU2028	CX-EU2038	CX-EU2048

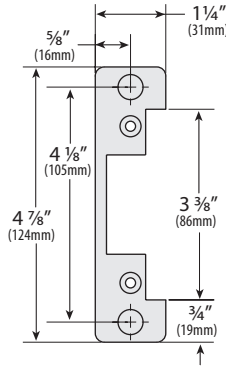
## FACEPLATES

MODEL	DESCRIPTION
CX-ESP1	ANSI Square, 4 7/8" x 1 1/4", square corners
CX-ESP2	ANSI Round, 4 7/8" x 1 1/4", rounded corners
CX-ESP3	Hollow Metal Door, 6 7/8" x 1 1/4", rounded corners
CX-ESP4	Wood Door, 7 15/16" x 1 1/4", rounded corners

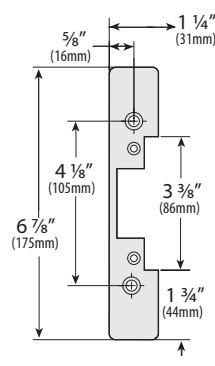
ESP1 - ANSI SQUARE



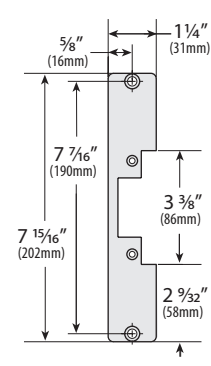
ESP2 - ANSI ROUND



ESP3 - HOLLOW METAL DOOR



ESP4 - WOOD DOOR



## CROSS REFERENCE CHART

CAMDEN	RCI	ADAMS RITE	HES	ROFU	FOLGER ADAMS	VON DUPRIN	DYNALOCK
SERIES 20	4 SERIES	7100	N/A	1402	N/A	N/A	N/A