

SERIES 09

GLASS DOOR STRIKE 1/2" GLASS PROJECTION



CX-EL0955

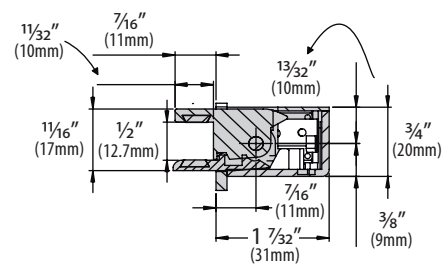
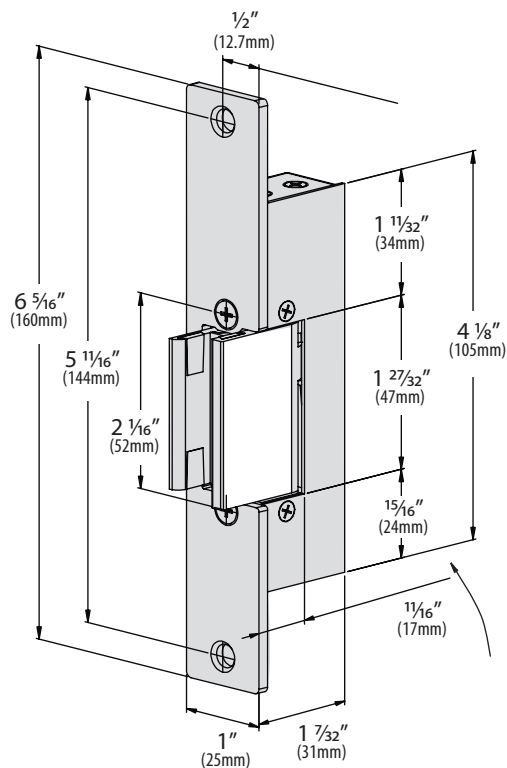
FEATURES

- 12 VDC AND 24VDC MODELS
- FULLY REVERSIBLE FOR RIGHT OR LEFT HAND DOORS
- FAIL SAFE AND FAIL SECURE MODELS
- CONTINUOUS DUTY OPERATION
- INSTALL AT TOP OR SIDE OF DOOR FRAME
- 5 YEAR WARRANTY

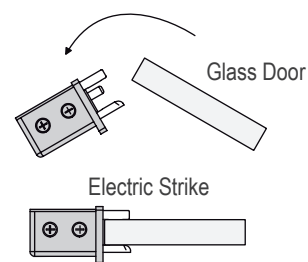
DESCRIPTION

Camden 09 Series electric strikes for glass doors are designed for use on single swing glass doors, 1/2" (12.7mm) thick. There are 12 VDC, 24 VDC and fail safe, fail secure models. All glass door strikes are reversible for left and right handed doors and can be installed at the top or side of the door.

DIMENSIONS



Operation Detail



GLASS DOOR STRIKE 1/2" GLASS PROJECTION

SPECIFICATIONS

VOLTAGE:	12 VDC OR 24 VDC
STATIC STRENGTH:	561 LBS. (254 KG.)
ENDURANCE:	200,000 CYCLES
DUTY:	CONTINUOUS DUTY OPERATION
TEMP RANGE:	5°F TO 104°F (-15°C TO 40°C)
DIMENSIONS:	4 1/8"H x 3/4"W x 1 7/32"D (105mm x 20mm x 31mm)

ORDERING INFORMATION

CX-EL0955	ELECTRIC STRIKE FOR GLASS DOORS, 12 VDC, FAIL SECURE
CX-EL0958	ELECTRIC STRIKE FOR GLASS DOORS, 24 VDC, FAIL SECURE
CX-EU0955	ELECTRIC STRIKE FOR GLASS DOORS, 12 VDC, FAIL SAFE
CX-EU0958	ELECTRIC STRIKE FOR GLASS DOORS, 24 VDC, FAIL SAFE