



SERIES 10 CENTERLINE LATCH ENTRY, 5/8" - 3/4" LATCH PROJECTION

FEATURES

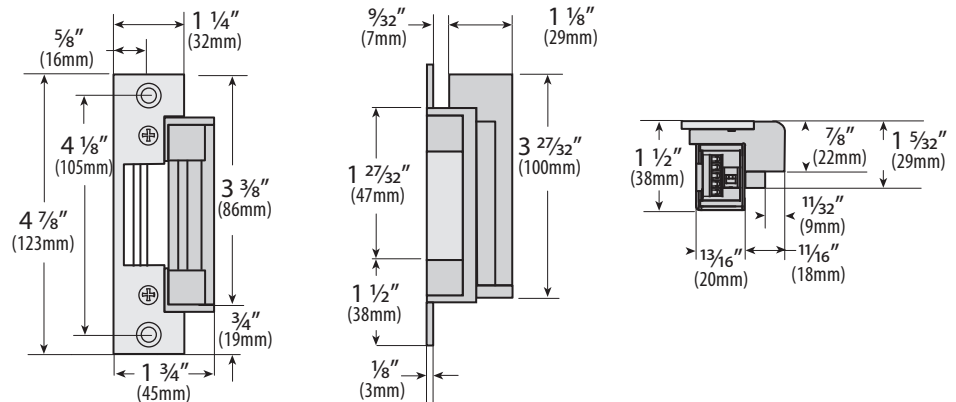
- BHMA GRADE 1
- FIELD SELECTABLE FAIL SECURE/FAIL SAFE
- DUAL VOLTAGE 12/24V AC OR DC
- UL 1034 BURGLARY-RESISTANT
- STATIC STRENGTH 1,500 LBS
- DYNAMIC STRENGTH 70 FT-LBS
- ENDURANCE RATING 250,000 CYCLES
- STRIKE DEPTH 1 1/2"
- LATCH MONITORING (OPTIONAL)
- FULLY REVERSIBLE FOR RIGHT OR LEFT-HAND DOORS
- CONTINUOUS DUTY OPERATION (DC)
- 5 YEAR WARRANTY
- FOUR FACEPLATE OPTIONS

DESCRIPTION

Designed for heavy-duty applications, the all-in-one SERIES 10 offers dual voltage and field selectable fail secure/fail safe operation. Deep latch cavity accommodates cylindrical locksets with a 5/8" to 3/4" throw (3/4" requires 1/8" door gap) in metal, wood or aluminum frames.

DIMENSIONS

SERIES 10



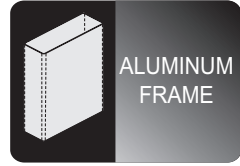
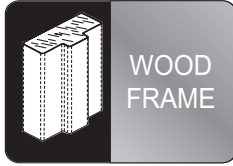
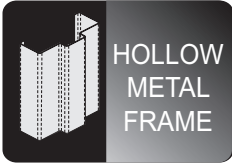
SERIES 10



SERIES 10 ELECTRIC STRIKES

COMPATIBLE LOCK SETS

DOOR FRAME TYPES

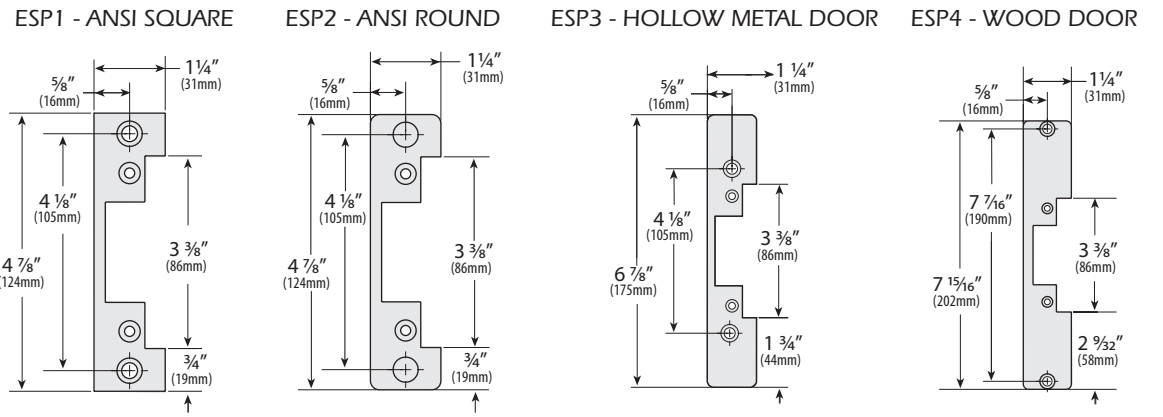


ORDERING INFORMATION

DESCRIPTION	MODEL	STRIKE COMPLETE WITH FACE PLATES			
		ANSI Square 4 7/8" x 1 1/4"	ANSI Round 4 7/8" x 1 1/4"	Hollow Metal Door 6 7/8" x 1 1/4"	Wood Door 7 15/16" x 1 1/4"
Fail Safe/Fail Secure VOLTAGE: 12/24V AC/DC Amps .210 (12V), .105 (24V)	CX-ED1000	CX-ED1010	CX-ED1020	CX-ED1030	CX-ED1040
With Latch Monitoring	CX-ED1000L	CX-ED1010L	CX-ED1020L	CX-ED1030L	CX-ED1040L

FACEPLATES

MODEL	DESCRIPTION
CX-ESP1	ANSI Square, 4 7/8" x 1 1/4", square corners
CX-ESP2	ANSI Round, 4 7/8" x 1 1/4", rounded corners
CX-ESP3	Hollow Metal Door, 6 7/8" x 1 1/4", rounded corners
CX-ESP4	Wood Door, 7 15/16" x 1 1/4" rounded corners



CROSS REFERENCE CHART

CAMDEN	RCI	ADAMS RITE	HES	ROFU	FOLGER ADAMS	VON DUPRIN	DYNALOCK
SERIES 10	6 SERIES	7160	5200 SERIES	2400 SERIES	N/A	5100 SERIES	1600 SERIES



5502 Timberlea Blvd. Mississauga, ON Canada L4W 2T7 • Toll Free: 1 877 226-3369 (CAMDEN9)
Tel: (905) 366-3377 • Fax: (905) 366-3378 • E-mail: info@camdencontrols.com • www.camdencontrols.com



Certified ISO 9001: 2008

LIT-SP-10

FS 541752