

## Section 1 \_\_\_\_\_

### General Description

The pneumatic time delay requires no power to operate.

The timing range is 1 – 60 seconds, and is easily adjusted by a thumbscrew. It is ideal for use to deactivate magnetic locks in an emergency and where building codes mandate non-electronic means of egress, or where power is not available for a conventional timer.

This **Camden CX-1085 Pneumatic Timer** is integrated into to the CM-1285/2285/3285/3585 and CM-1185/2085 Key Switches.

For Camden CM-4000 to CM-8000 Push Buttons, use the pneumatic timer for Push Button Switches (CX-1085M).

## Section 2 \_\_\_\_\_

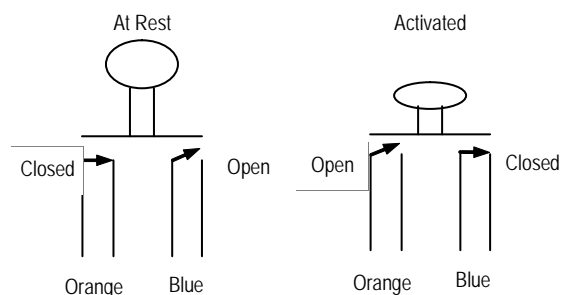
### Installation

#### Mounting

1. The pneumatic timer will already be mounted to the switch, therefore follow the specific mounting instructions for your type of switch.
2. While the timer is not fragile, care must be given to allow sufficient clearance around the contacts, wiring, and particularly around the adjustment screw.
3. To adjust the timing, turn the screw clockwise to increase time, and counter-clockwise to reduce time. Test the timing several times before securing switch to wall or box.

#### Wiring

**Momentary:** The DPST contacts are rated 5 amps at 24 VDC. **Blue wires are the normally open circuit, and the orange pair are normally closed.**



It is possible to make a SPDT circuit as follows: Tie one Blue and one Orange wire together. This will become the Common. The remaining Blue wire is the N.O. wire, and the remaining Orange wire is the N.C. wire.

## Section 4 \_\_\_\_\_

### Specifications

Operating Force:	Maximum 8 oz.
Switch Rating:	5 Amps @ 24 VDC
Time Range:	1 – 60 sec. ± 15%
Temperature Range:	15° to 120° F (-9° to 49° C)
Repeat Accuracy:	± 10%
Timer Life:	1,000,000 operations

**Questions? Call us toll-free at 1-877-226-3369**

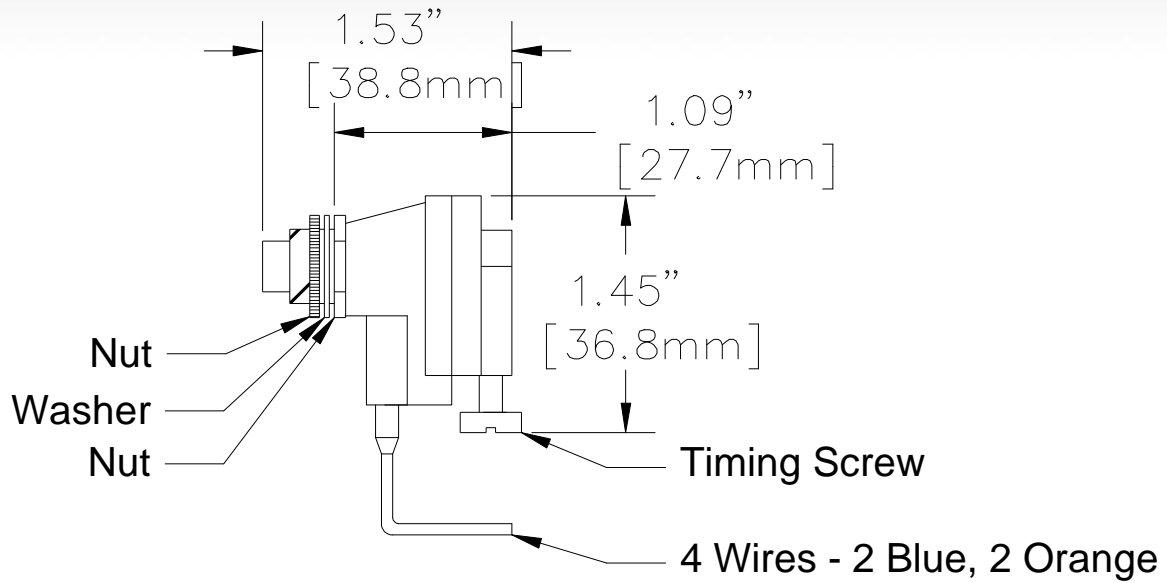


Figure 1 – Side View

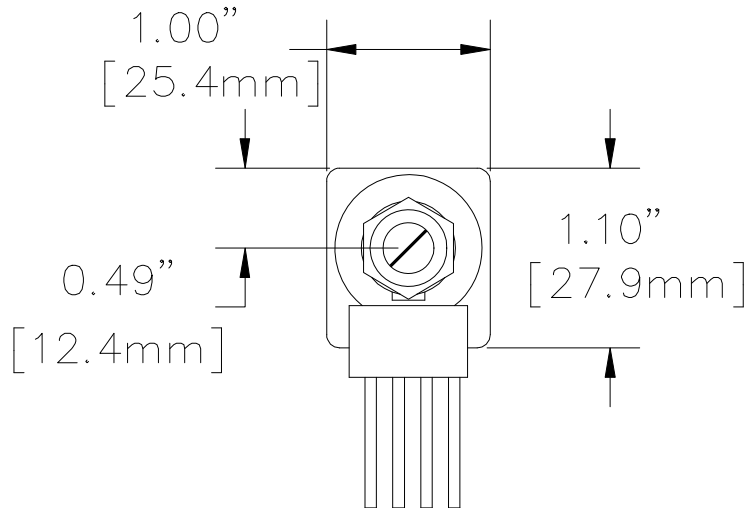


Figure 2 – Front View



Push Buttons



Key Pads



Strikes



Magnetic Locks



Key Switches



Relays & Timers



Access Control