

CV-602 M-PROX2

TWO DOOR PROXIMITY ACCESS CONTROL SYSTEM



CV-602K2
M-PROX2 KIT

FEATURES

- M-PROX2 KITS INCLUDE CONTROLLER, 1 OR 2 AWID FORMAT PROX, 2 READERS AND 5 CARDS
- COMPACT CONTROLLER WITH LCD DISPLAY, 4 PROGRAMMING BUTTONS AND USB INTERFACE
- PROGRAMMING VIA FRONT PANEL BUTTONS OR USB CONNECTED COMPUTER
- SOFTWARE & USB CABLE INCLUDED
- DAY/WEEK/HOLIDAY SCHEDULING
- EASILY DEFINED ACCESS GROUPS
- 3,800 EVENT AUDIT TRAIL
- LATCHING OR TIMED DOOR OPEN, ANTI-PASS BACK
- 2000 USER CODES
- JAMB MOUNT AWID FORMAT PROXIMITY READER
- VANDAL AND WATER RESISTANT READER (IP67)
- 26, 34 AND 37 BIT WIEGAND PROTOCOL, WITH SITE CODE
- REQUEST TO EXIT INPUT
- (2) FORM 'C' RELAY OUTPUTS

DESCRIPTION

CV-602 M-PROX2™ is an affordable, easy to install and maintain two door proximity access control system. M-Prox2 consists of a small programmable controller (installed on the secure side of the facility), and vandal and weather resistant AWID format mullion mount proximity readers. The system has a capacity of 2,000 users. Cards and FOBs can be individually or batch enrolled/deleted using buttons on the controller, or via a USB connected computer. System software (included) support advanced scheduling and a 3,800 event audit report.

APPLICATIONS

CV-602 M-PROX2 two door proximity access control systems are an easily installed and affordable solution for professional offices, retail, daycare or other small system applications. They are also an ideal upgrade to keypads; providing the convenience of proximity access, as well as access scheduling and an event audit trail.

ARCHITECT/ENGINEER SPECIFICATION

The proximity access control system shall be a CV-602 Series 'M-Prox2' manufactured by Camden Door Controls. The system shall consist of a CV-602 compact control unit and be programmable via keys on the front of the unit or via USB connected computer. Readers shall be CV-7500 jamb mount; vandal and weather resistant, AWID format. The system shall support 2,000 user codes, (2) card readers, (2) request to exit inputs and (2) Form C relay outputs, rated 5A @ 30VDC.

The system software shall be PC compatible, Window 7™ compatible, and will support daily, weekly and holiday scheduling, credential enrollment, and provide a 3,800 event audit report.

TECHNICAL SPECIFICATIONS

USERS:	2,000 CARDS OR FOBS
VOLTAGE:	12/24 V AC/DC
INPUT:	(2) 26, 34 AND 37 BIT WIEGAND (2) REQUEST TO EXIT
OUTPUT:	(2) FORM 'C' RELAYS
CONTACT RATING:	5A @ 30V DC
OPERATION:	HARD OR TIMED ANTI PASSBACK PASSWORD PROTECTION
PROGRAMMING:	VIA 4 BUTTON CONTROL PANEL OR USB CONNECTED COMPUTER
SCHEDULING:	DAILY, WEEKLY AND HOLIDAYS
AUDIT TRANSACTIONS:	3,800 EVENTS
READERS:	CV-7500 AWID FORMAT MULLION MOUNT PROXIMITY UP TO 4" - 5" READ RANGE
DIMENSIONS:	CONTROLLER: 4 5/16"H x 4 3/16"W x 2 7/16"D (110mm x 106mm x 62mm) CV-7500 READER: 4 1/2"H x 1 3/4"W x 5/8"D (114mm x 44mm x 16mm)

ORDER INFORMATION

MODEL	DESCRIPTION
CV-602	M-PROX2, TWO DOOR CONTROLLER
CV-602K1	M-PROX2 CONTROLLER C/W MULLION READER AND (5) AWID PROX. CARDS
CV-602K2	M-PROX2 CONTROLLER C/W (2) MULLION READERS AND (5) AWID PROX. CARDS

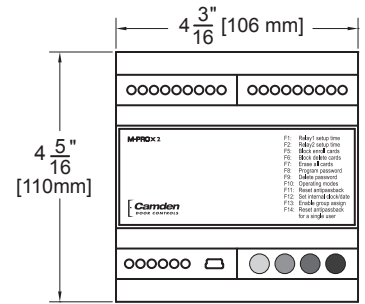
COMPATIBLE READERS & CARDS

CV-7500	AWID FORMAT MULLION MOUNT PROXIMITY CARD READER, UP TO 4" - 5" READ RANGE
CV-7500P	SINGLE GANG ADAPTOR PLATE FOR CV-7500
CV-CSA	AWID PROX CARDS, CLAM SHELL STYLE, PACKAGE OF 10
CV-CSA-B	AWID PROX CARDS, CLAM SHELL STYLE, BOX OF 100
CV-KTA	AWID KEY TAG, PACKAGE OF 25

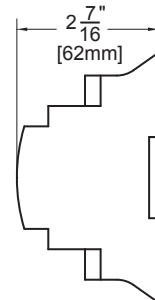
COMPATIBLE KEYPAD

CV-120	DIGITAL KEYPAD, INDOOR
CM-120wV2	WEATHER AND VANDAL RESISTANT ILLUMINATED KEYPAD, INDOOR/OUTDOOR

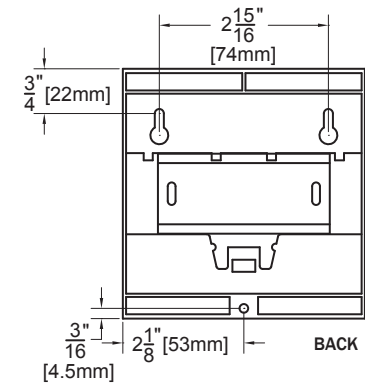
CV-602 CONTROLLER



FRONT

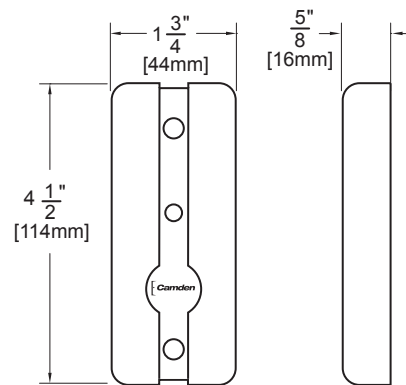


SIDE



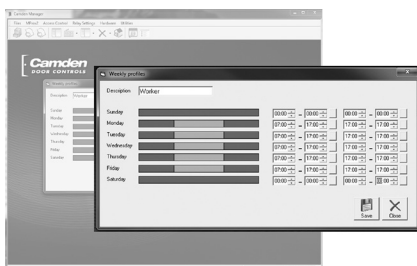
BACK

CV-7500 READER

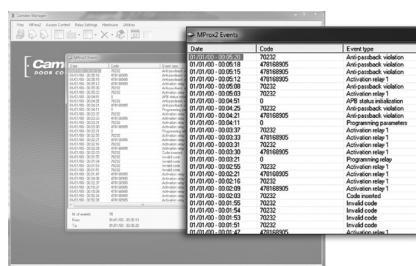


FRONT

SIDE



DAY/WEEK/HOLIDAY SCHEDULING



3,800 EVENT REPORT