



TALKAPHONE



# CU-8 AREA OF RESCUE COMMAND UNIT

THIS FULLY INTEGRATED  
COMMAND UNIT ACCOMMODATES  
UP TO 8 ADA-COMPLIANT AREA  
OF RESCUE STATIONS. THE UNIT'S  
STROBE/SOUNDER INDICATES  
AN INCOMING CALL, AND LED'S  
INDICATE THE CALLING LOCATION.

## FEATURES

- Fully compliant with the IBC §1007, ADAG §7, ICC A117.1, and NFPA 72 §24.5.3
- Accommodates up to 8 ADA compliant Area of Rescue Stations
- Stations are powered by Command Unit
- LEDs on Command Unit indicate calling Station and line status
- On-site calling requires no outside phone lines
- Off-site calling requires only one phone line for up to 8 Stations: line seizure eliminates need for dedicated phone line
- Blinking LEDs indicate Stations that are waiting to be answered. When first call is completed, 2nd call is automatically placed, phone rings and strobe/siren is activated
- Siren is activated when Emergency call is first detected, shuts off when call has been answered
- Strobe is activated when Emergency call is first detected and remains active for duration of call
- Built-in UPS provides 4 hour power back-up in case of power failure
- Includes built-in phone

## SPECIFICATIONS

<b>Sound:</b>	Sounder ranges from 90 to 100 dBA, has 8 sound options
<b>Construction:</b>	16 gauge #4 brushed stainless steel cabinet, acrylic windows
<b>Dimensions (WxDxH):</b>	24.38 x 4.25 x 18.38 in. (619 x 108 x 467 mm)
<b>Weight:</b>	59 lbs. (26.8 kg)
<b>Mounting:</b>	Surface mountable, strobe.sounder mounts to standard 4" square box, for Recess mounted version order model CU-8R
<b>Communication:</b>	Lighted phone with 12-key pad receives and selectively originates calls
<b>Power Source:</b>	Stations receive power from Command Unit, powered by UPS. UPS requires 120 VAC.
<b>Wiring:</b>	1 twisted, shielded pair per station not to exceed 25 ohms resistance
<b>Lighting:</b>	Strobe is rated at 15 candela, flashes once per second
<b>Environment:</b>	Command Unit is for indoor use, outdoor Area of Rescue Stations are available

## AREA OF RESCUE STATIONS

Surface Mount Station: Model **ETP-100MB** is an indoor surface mount Area of Rescue Station

Flush Mount Station: Model **ETP-100EB** is an indoor flush mount Area of Rescue Station

Outdoor Station: Use models **ETP-400** and **ETP-SM** for an outdoor Area of Rescue Station.

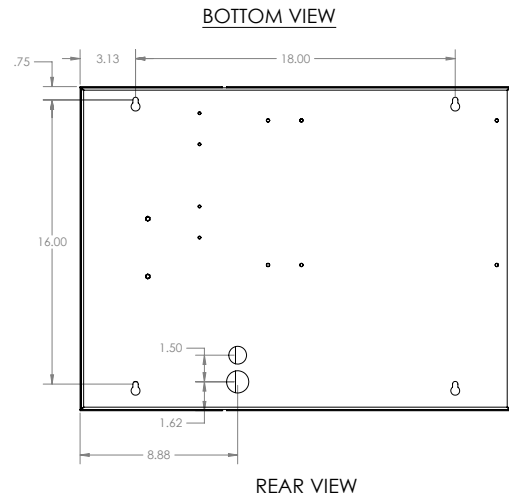
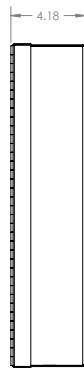
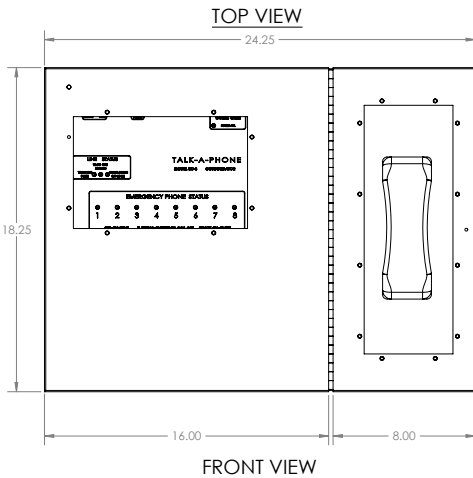
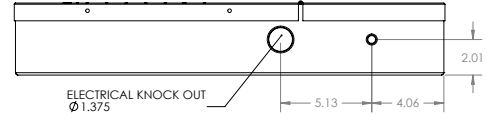
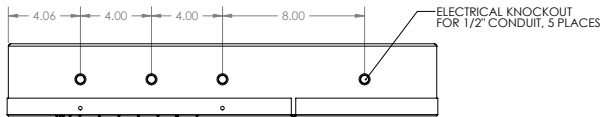
## OPTIONS & ACCESSORIES

Polycarbonate Sign: Model **ETP-SIGN** is a polycarbonate Area of Rescue sign

Lighted Sign: Model **ETP-SIGN/L** is a lighted Area of Rescue sign

Deluxe Lighted Sign: Model **ETP-SIGN/LD** is a lighted Area of Rescue sign with battery backup

## DIMENSIONAL DRAWING



All dimensions are in inches and are provided for reference only.



**TALKAPHONE**

THE LEADERS IN SECURITY AND LIFE SAFETY COMMUNICATIONS

7530 North Natchez Avenue  
Niles, Illinois 60714  
Tel: 773-539-1100  
Email: info@talkaphone.com  
Web: www.talkaphone.com