



## SK-Control-6

### Six Circuit Supervised Control Module

The SK-Control-6 has six integrated modules for maximum flexibility, allowing you to add notification circuits wherever they are needed on an IntelliKnight FACP signaling line circuit (SLC) loop.

For more information about the IntelliKnight system, or to locate you nearest source, please call 1-800-328-0103.

### Description

The SK-Control-6 is an addressable notification module for use with Silent Knight IntelliKnight series fire alarm control panels (FACPs). The SK-Control-6 provides supervised monitoring of wiring to load devices that require an external power supply or amplifier to operate, such as bells, horns, and strobes. It is capable of supporting Class B (Style Y) and Class A (Style Z) wiring.

Upon command from the FACP, the SK-Control-6 will disconnect the supervision and connect the external power supply across the load device. The disconnection of the supervision provides a positive indication to the panel that the control relay actually turned on. The external power supply is always relay isolated from the SLC loop, so that a trouble condition on the power supply will never interfere with the rest of the system.

If needed, you can disable a maximum of three unused modules on the SK-Control-6 board. Each module has terminals for connection to an external supply circuit for powering devices on its notification appliance circuit (NAC). One or more multiple power supplies or amplifiers can be used.

The SK-Control-6 has a short circuit protection monitor for each module. The short circuit protection monitor protects external power supplies against short circuit conditions on the NAC. In addition, an algorithm is incorporated to find a short when the module is active. The module will close all circuits that are not shorted to find the NAC with the problem.

### Features

- Flexible solution for adding notification circuits where needed
- Removable 12 to 18 AWG plug-in terminal blocks
- Support for Class B or Class A wiring
- Individual LED for each module



### SK-Control-6

- Two module mounting in the IDP-ACB cabinet
- Unused modules can be disabled
- Rotary address switches for fast installation
- Mounting hardware included
- UL Listed

### Installation

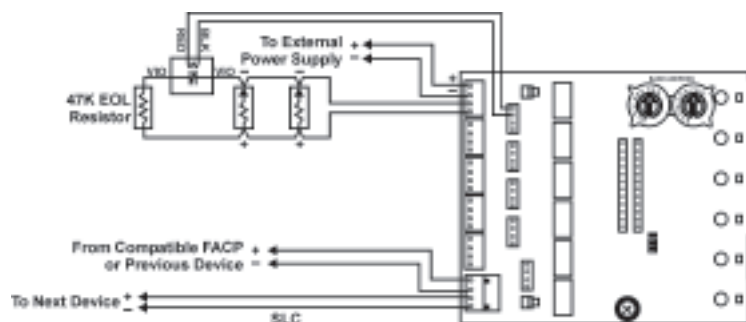
The SK-Control-6 mounts directly into the Silent Knight IDP-ACB cabinet. The IDP-ACB cabinet has a built in chassis that will accommodate one or two SK-Control-6 modules.

### Compatibility

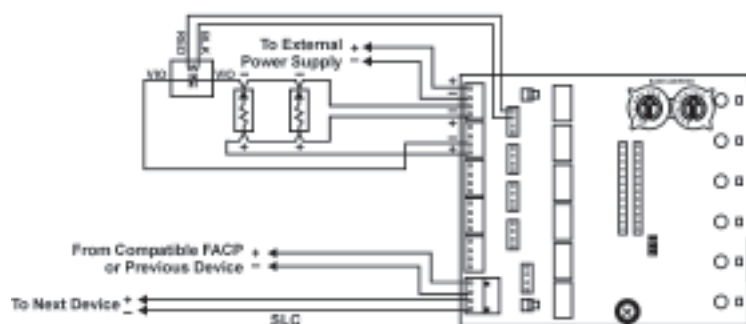
The Control is compatible with the following IntelliKnight FACP's:

5700  
5808  
5820XL  
5820XL-EVS

# Model SK-Control-6 Supervised Control Module



Wiring the SK-Control-6 Notification Module for Class B, Style Y NAC Configuration with a Single Power Supply Dedicated to a Single NAC



Wiring the SK-Control-6 Notification Module for Class A, Style Z NAC Configuration with a Single Power Supply Dedicated to a Single NAC

## Specifications

### Physical

IDP-Control-6	IDP-ACB
Height: 6.8" (17.3 cm)	15.25" (38.7 cm)
Width: 5.8" (14.7 cm)	12.5" (31.8 cm)
Depth: 1.25" (3 cm)	3" (7.6 cm)
Shipping Weight: 6.3 oz (196 g)	6.5 lbs (2.8 kg)

### Environmental

Operating Temperature: 32°F – 120°F (0°C – 49°C)  
Humidity: 10% – 93% non-condensing

### Electrical

Operating Voltage: 15 – 32 VDC  
Alarm Current: 35 mA (all six relays switched once and all six LEDs solid on)  
Standby Current: 2.2 mA max  
SLC Loop Resistance: 40Ω max

NAC Circuit Wiring Resistance: 40Ω max  
Power Rating Per Circuit: 63W @ 70.7 VAC; 50W @ 25 VAC

### Relay Contact Ratings:

- 3A @ 30 VDC resistive, noncoded;
- 2A @ 30 VDC resistive, coded;
- 0.9A @ 110 VDC resistive, noncoded;
- 0.9A @ 125 VDC resistive, noncoded;
- 0.5A @ 30 VDC inductive (L/R = 5 ms), coded;
- 1A @ 30 VDC inductive (L/R = 2 ms), coded;
- 0.3A @ 125 VAC inductive (PF = 0.35), noncoded;
- 1.5A @ 25 VAC inductive (PF = 0.35), noncoded;
- 0.7A @ 70.7 VAC inductive (PF = 0.35), noncoded;
- 2A @ 25 VAC inductive (PF = 0.35), noncoded

### Accessories

IDP-ACB SK Module Cabinet. Cabinet holds two SK-Control-6's.



This document is not intended to be used for installation purposes. We try to keep our product information up-to-date and accurate. We cannot cover all specific applications or anticipate all requirements. All specifications are subject to change without notice. For more information, contact Silent Knight 12 Clintonville Road, Northford, CT 06472-1610 Phone: (800) 328-0103, Fax: (203)484-7118. For Technical Support, Please call 800-446-6444.  
[www.silentknight.com](http://www.silentknight.com)

**MADE IN AMERICA**

FORM# 350126 Rev C  
© 2013 Honeywell International Inc.