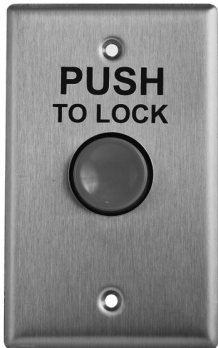




### CM-250/CM-280 ECONOMY 1" PUSH SWITCHES



CM-250/2



CM-280/5

#### FEATURES

- NARROW OR SINGLE GANG FACEPLATES
- 1" RED BUTTON REQUIRES MINIMAL ACTUATION FORCE
- DURABLE STAINLESS STEEL CONSTRUCTION
- ADA COMPLIANT
- ATTRACTIVE LOW PROFILE DESIGN
- UL/CSA APPROVED SWITCH RATED 15 AMPS @ 30 VDC
- VARIOUS LOGOS, MESSAGES & LANGUAGES

#### DESCRIPTION

**CAMDEN DOOR CONTROLS CM-250/280 Series** push switches are light-duty, ADA-compliant door controls. The single gang and narrow faceplates are stainless steel. CM-250 is designed for easy installation directly in the door jamb, or use optional surface box. The SPDT switches are UL/CSA approved, and rated 15 Amps. @ 30 VDC.

#### APPLICATION

Camden 1" push button switches are designed to control electric locks & strikes, magnetic locks, automatic pedestrian & overhead doors. They may also be used for shunting, bypassing alarms, request to exit, timed functions and many other applications. Camden switches are versatile and can be supplied in various logos and languages to suit any commercial, industrial or residential application.

#### ARCHITECTS / ENGINEERS SPECIFICATIONS

The switches to be used throughout the site/complex shall be CAMDEN DOOR CONTROLS CM-250/280 series push switches. The switches shall be easy-to-activate, ADA compliant and utilize a 1" red button. Faceplates shall be constructed of 18 gauge stainless steel, and have matching stainless steel mounting screws. Switches shall be rated at a minimum of 15 Amps. @ 30V DC.

KEY SWITCHES

PUSH BUTTONS

MOUNTING OPTIONS

RF CONTROLS

HANDS-FREE SWITCHES

SPECIAL PURPOSE SWITCHES

KEYPADS

ACCESSORIES

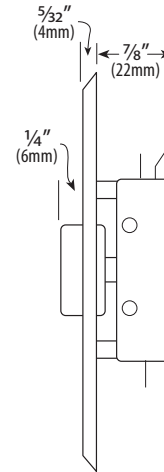


# ECONOMY 1" PUSH SWITCHES

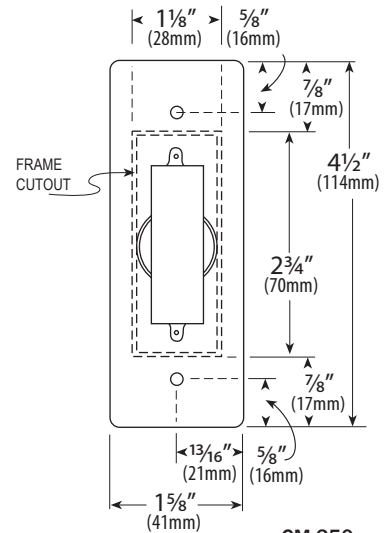
## ORDERING INFORMATION

All CM-250/280 series push switches are complete ready-to-install assemblies. They are supplied with matching stainless steel mounting screws and wire terminals.

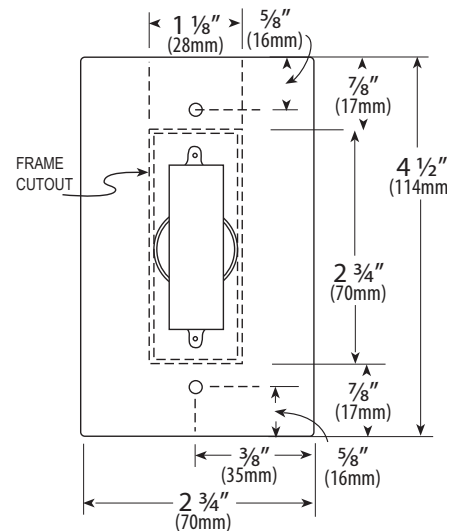
MODEL	DESCRIPTION
<b>NARROW FACEPLATE</b>	
CM-250/1	PLAIN FACEPLATE
CM-250/2	WHEELCHAIR LOGO
CM-250/4	WHEELCHAIR AND PUSH TO OPEN LOGOS
CM-250/5	PUSH TO LOCK LOGO
CM-250/6	PUSH TO OPEN LOGO
CM-250/7	PUSH TO EXIT LOGO
CM-250/8	POUSSEZ POUR SORTIR
CM-250/9	PRESIONE PARA SALIR
<b>SINGLE GANG FACEPLATE</b>	
CM-280/1	PLAIN FACEPLATE
CM-280/2	WHEELCHAIR LOGO
CM-280/4	WHEELCHAIR AND PUSH TO OPEN LOGOS
CM-280/5	PUSH TO LOCK LOGO
CM-280/6	PUSH TO OPEN LOGO
CM-280/7	PUSH TO EXIT LOGO
CM-280/8	POUSSEZ POUR SORTIR
CM-280/9	PRESIONE PARA SALIR



CM-250



CM-250



CM-280



5502 Timberlea Blvd. Mississauga, ON Canada L4W 2T7 • Toll Free: 1 877 226-3369 (CAMDEN9)  
Tel: (905) 366-3377 • Fax: (905) 366-3378 • E-mail: info@camdencontrols.com • www.camdencontrols.com

LIT-SP-250&280



Certified ISO 9001: 2008

FS 541752