

General Description

Camden key switches are designed to work with most 1", 1 1/8" or 1 1/4" mortise cylinders, and with different types of cams.

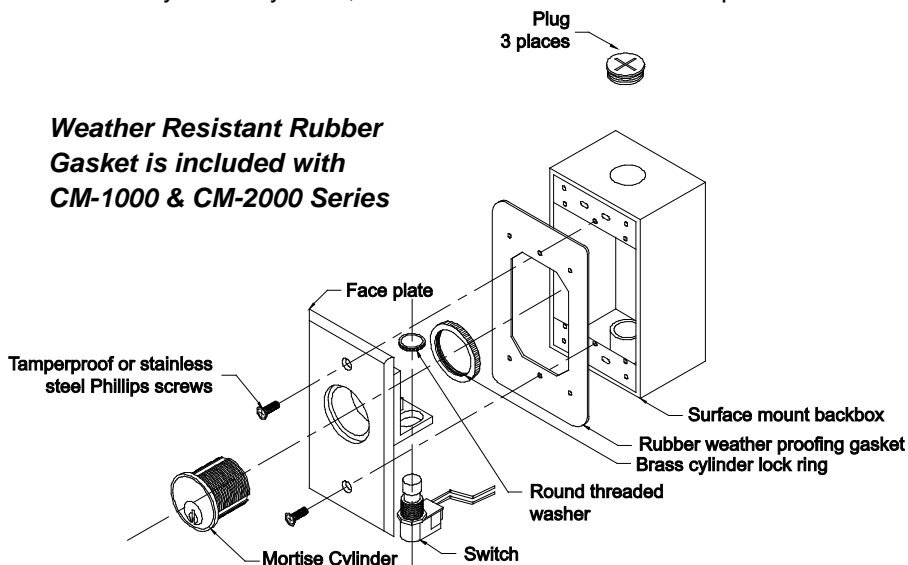
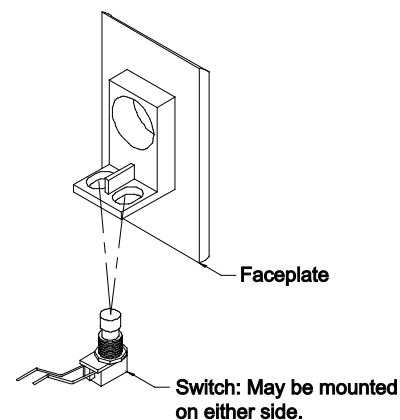
One or two switches may be installed, either momentary and/or maintained (alternating on/off).

Installation

1. The switch (es) provided may be mounted in either the left or the right hole on the back of the faceplate. Thread the octagonal nut (spacer ring) on to the bushing (stem) of the switch before placing the switch in the hole.
2. Insert the switch up through the bottom of the desired hole. Secure the switch in place by screwing the round threaded washer onto the top of the switch.
3. Fit the mortise cylinder through the front of the face plate being sure to align the grooves on the sides of the cylinder with the corresponding "retainers" on the back of the face plate.
4. Push firmly on the cylinder, until it snaps into place, lying flush in the front of the face plate (aluminum models only). Note that some cylinders may appear not to fit in the face plate. If the grooves on the side of the cylinder are irregular and do not align with the retainers on the back of the faceplate, use a metal file to file down the retainers slightly.

Note – do not file the retainers off completely as they prevent the cylinder from spinning in the face plate.

5. Thread the brass cylinder lock ring onto the back of the cylinder, and tighten in place.
6. Turn the key in the cylinder, and ensure the cam hits the top of the switch squarely in the center. Adjust the switch in the slotted hole until the cam hits in the center. It does not affect operation of the cam if the cylinder rests against the switch, so long as the switch is not fully depressed until activated by a turn of the key. If the cam does not depress the switch, or blocks the switch from resetting, raise or lower the octagon nut located under the switch, as needed. Extra spacers are provided and may be used as required.



- Once the electrical connections are completed (see below), attach the unit to the switch box, wall, or receptacle box using the supplied tamperproof or stainless steel Phillips screws. For outdoor use, place the rubber weather proofing gasket behind the face plate prior to securing to the back box or wall.

Wiring

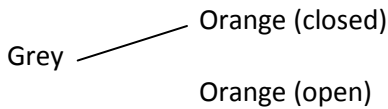
Momentary: SPST switches have normally open (N.O.) or normally closed (N.C.) contacts. SPDT/DPDT: switches have both N.O and N.C. contacts. All contacts are rated 6 amps @ 12/24/30 VAC.

Leads are color coded as follows:

Normally Open (N.O.)	Blue (or Green)
Normally Closed (N.C.)	Orange
Common	Grey (or Black)

Alternate Action: (Applies to SPDT & DPDT switches). There will always be a closed connection between the Grey and one of the Orange wires, and an open connection with the other Orange wire. Pushing the switch will alternate between the two orange wires, opening one connection and closing the other.

Leads are color coded as follows:



Optional LED Wiring

Key Switches may be ordered with optional LED's. This drawings show the various wiring configurations of the LED's.



NOTE:
These LED's are designed for DC Voltage only.

