

CM-AF500 SERIES SINGLE GANG ILLUMINATED ANNUNCIATOR



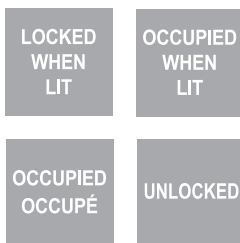
CM-AF500

CM-AF500 INSERTS

Red



Green



FEATURES

- DESIGNED FOR USE WITH AUTOMATIC DOORS IN RESTROOMS
- (6) MESSAGE INSERT LABELS INCLUDED, ENGLISH, FRENCH AND BILINGUAL
- CUSTOM MESSAGES (TEXT, GRAPHICS AND COLORS) AVAILABLE UPON REQUEST
- 'SUPER BRIGHT' LEDS FOR HIGH VISIBILITY, EVEN IN DAYLIGHT
- TEXT INVISIBLE WHEN NOT ILLUMINATED
- VANDAL AND WEATHER RESISTANT CONSTRUCTION
- HEAVY GAUGE STAINLESS STEEL FACEPLATE
- FITS STANDARD SINGLE GANG ELECTRICAL BOX
- VOLTAGE, 10 - 36 VDC CAN BE POWERED BY DOOR OPERATOR OUTPUT
- LOW CURRENT DRAW 25MA - 40MA

DESCRIPTION

Camden Door Controls CM-AF500 Series single gang illuminated signs are designed to provide critical messages, as needed, to building occupants. When not illuminated, the sign (text and/or graphics) is invisible. When illuminated, the text/graphics are highly visible, even in daylight. The CM-AF500 sign comes with 6 labels that can be easily switched during installation. Custom signs (text, graphics and colors) are available upon request.

CM-AF500 series signs offer heavy duty stainless steel construction, for resistance to vandalism, and are supplied with a rubber gasket for use in weather/water resistant applications.

APPLICATIONS

CM-AF500 series single gang illuminated signs are vandal and weather resistant and have been specifically designed to communicate messages to building occupants under changing conditions (i.e. when a restroom door is electrically locked or there is a system alarm/trouble). Field selectable 12V or 24V DC operation allows the sign to be used in a variety of low voltage applications, including automatic door, access control and other low voltage systems.

ELECTRIC STRIKES

CABINET LOCKS

MAGNETIC LOCKS

DOOR ALARMS

RELAYS & TIMERS

TRANSFORMERS & POWER SUPPLIES

ANNUNCIATORS

SINGLE GANG ILLUMINATED ANNUNCIATOR

ARCHITECTS / ENGINEERS SPECIFICATIONS

The single gang, LED illuminated annunciators to be used throughout the site/ complex shall be Camden Door Controls model CM-AF500.

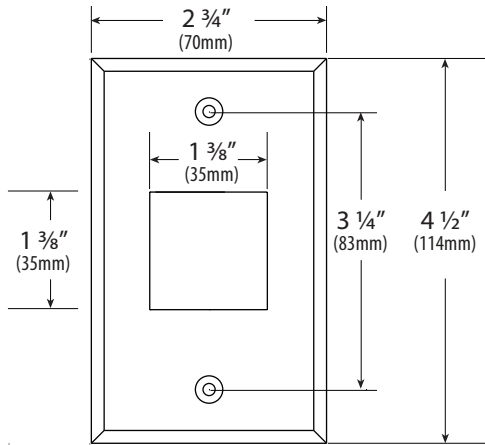
The faceplate shall be constructed of heavy gauge stainless steel and shall have a 1 3/8" square LED illuminated message, visible only when lit. When not lit, the message shall not be readily legible. The LED illuminated annunciators shall be constructed so that the message cannot be scratched or removed by vandalism. For installation outdoors, the face of the units shall be sealed and mounted to the electrical box utilizing a weatherproof rubber gasket. The unit shall be supplied with stainless steel Torx or snake eye security screws.

The LED illuminated annunciators shall be 12V or 24V DC.

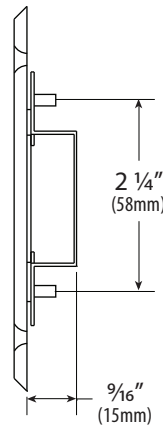
ORDERING INFORMATION

CM-AF500 illuminated annunciator comes complete with faceplate, LED, message labels, rubber gasket and fastener kit.

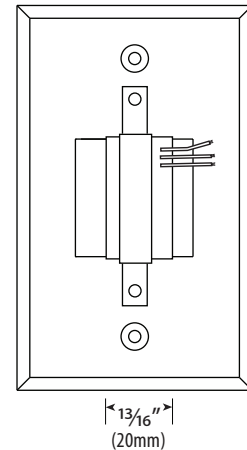
MODEL	DESCRIPTION
CM-AF500	SINGLE GANG ILLUMINATED ANNUNCIATOR FOR AUTOMATIC DOOR CONTROL OF RESTROOMS, 12/24V. CUSTOM MESSAGE LABELS (COLOR, TEXT, GRAPHICS) AVAILABLE UPON REQUEST.



FRONT VIEW



SIDE VIEW



BACK VIEW