

CM-45/46

4 1/2" SQUARE ALL-ACTIVE SWITCHES



CM-45/2



CM-45/3



CM-46/4

FEATURES

- LARGE, EASY TO OPERATE SWITCHES
- ALL-ACTIVE DESIGN REQUIRES MINIMAL ACTUATION FORCE
- MEETS ADA REQUIREMENTS
- DURABLE STAINLESS STEEL OR SOLID BRASS CONSTRUCTION
- FLUSH MOUNT OR SURFACE MOUNT
- UL/CSA APPROVED SWITCH, RATED 15 AMPS @ 30V DC
- VARIOUS LOGOS & MESSAGES
- ARCHITECTURAL FINISHES

DESCRIPTION

Camden Door Controls CM-45/46 Series all-active switches are heavy-duty, ADA-compliant door controls. The 4 1/2" square faceplates are stainless steel or solid brass, and the assemblies are designed for easy installation.

Both series mount to standard single gang or double gang electrical boxes. CM-45 series is sold as a complete assembly, which is mounted to the in-wall box (or surface box) using Allen screws and a hex key (included with the switch). Access to the mounting screws is through small holes in the front of the faceplate. This provides for tamper resistance, while maintaining an attractive overall appearance.

CM-46 series is sold as a two part assembly. The rear assembly is mounted to the in-wall box (or surface box). The front faceplate is then screwed to the rear assembly using either standard or snake-eye security screws (included with kit). This configuration allows for fast and easy installation by all trades.

The SPDT (and optional DPDT) switches are UL/CSA approved, and rated 15 amps @ 30 VDC. The push switches are offered with different logos, and in various architectural finishes. Weather resistant, and water tight configurations are also available.

APPLICATION

Camden all-active switches are designed for areas where an easy-to-activate, high visibility switch is desired. Ideal for high-traffic areas, hospitals, wheelchair access, seniors' residences, etc. They can be surface or flush mounted.

Camden all-active switches are designed to control electric strikes, electromagnetic locks and automatic doors. They may also be used for shunting, bypassing alarms, request to exit, timed functions, and many other applications.

The switches are made for high frequency usage, in both indoor and outdoor environments. Camden switches are versatile, and can be supplied in various configurations and finishes, to suit any commercial, industrial, or residential application.

KEY SWITCHES

PUSH BUTTONS

MOUNTING OPTIONS

RF CONTROLS

HANDS-FREE SWITCHES

SPECIAL PURPOSE SWITCHES

KEYPADS

ACCESSORIES

4 1/2" SQUARE ALL-ACTIVE SWITCHES

ARCHITECTS/ENGINEERS SPECIFICATIONS

The switches to be used throughout the complex shall be Camden Door Controls CM-45 or CM-46 series all-active switches.

The switches shall be easy-to-activate, ADA compliant, 4 1/2" square. Switches shall be all-active, whereby pressing any part of the faceplate will activate the device. Faceplates shall be constructed of 18-gauge stainless steel or solid brass. Switches shall use plastic spacers and rubber dampers for noise reduction. Switches shall be rated at a minimum of 15 amps @ 30V DC.

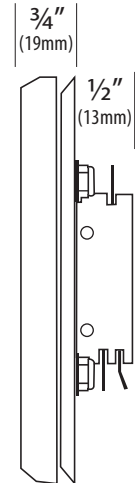
ORDERING INFORMATION

All CM-45/46 series all-active switches are complete ready-to-install assemblies. CM-45 series are supplied with stainless steel Allen screws and an Allen wrench for mounting. CM-46 series are supplied with stainless steel tamperproof screws.

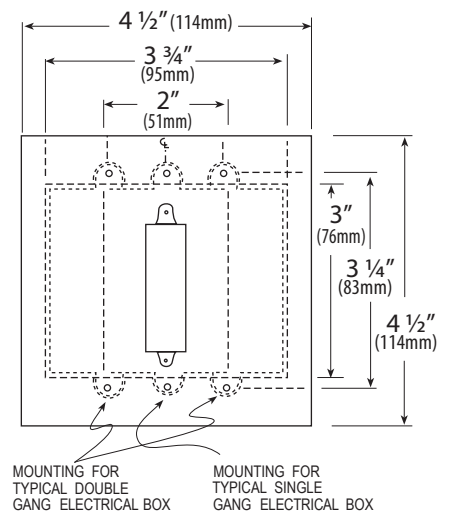
MODEL	MODEL	DESCRIPTION
4 1/2" SQ. CONCELED SCREWS	4 1/2" SQ. EXPOSED SCREWS	
CM-45/1	CM-46/1	NO EMBOSING
CM-45/2	CM-46/2	EMBOSSED WITH WHEELCHAIR LOGO IN BLUE
CM-45/2AL	CM-46/2AL	EMBOSSED WITH WHEELCHAIR LOGO IN BLUE AND LEFT ARROW
CM-45/2AR	CM-46/2AR	EMBOSSED WITH WHEELCHAIR LOGO IN BLUE AND RIGHT ARROW
CM-45/3	CM-46/3	EMBOSSED WITH 'PUSH TO OPEN' LOGO IN BLACK
CM-45/3F	CM-46/3F	EMBOSSED WITH 'POUSSEZ POUR OUVRIR' LOGO IN BLACK
CM-45/4	CM-46/4	EMBOSSED WITH WHEELCHAIR LOGO AND 'PUSH TO OPEN' LOGOS IN BLUE
CM-45/4AL	CM-46/4AL	EMBOSSED WITH WHEELCHAIR LOGO AND 'PUSH TO OPEN' LOGOS IN BLUE WITH LEFT ARROW
CM-45/4AR	CM-46/4AR	EMBOSSED WITH WHEELCHAIR LOGO AND 'PUSH TO OPEN' LOGOS IN BLUE RIGHT ARROW
CM-45/4F	CM-46/4F	EMBOSSED WITH WHEELCHAIR LOGO AND 'POUSSEZ POUR OUVRIR' LOGOS IN BLUE
CM-45/8	CM-46/8	EMBOSSED WITH 'PUSH TO LOCK' LOGO
CM-45/8D	CM-46/8D	EMBOSSED WITH 'PUSH TO LOCK' DOOR LOGO
CM-45/8F	CM-46/8F	EMBOSSED WITH 'POUSSEZ POUR VERROUILLER' LOGO

OPTIONS/FINISHES:

- DP ADD DP TO PRODUCT # TO ORDER DPDT SWITCH INSTEAD OF SPST SWITCH (USE SPECIAL MOUNTING PLATE/TEMPLATE)
- WR ADD WR TO PRODUCT # FOR WEATHER RESISTANT BOOT
- WT ADD WT TO PRODUCT # FOR BOOT AND WATER TIGHT COATING
- AL ADD AL TO PRODUCT # FOR ARROW LEFT
- AR ADD AR TO PRODUCT # FOR ARROW RIGHT
- AB ADD AB TO PRODUCT # FOR ANTIQUE BRASS FINISH (US5/C5)
- PB ADD PB TO PRODUCT # FOR POLISHED BRASS FINISH (US3/C3)
- SB ADD SB TO PRODUCT # FOR SATIN BRASS FINISH (US4/C4)
- OB ADD OB TO PRODUCT # FOR OIL RUB BRONZE FINISH (US10B/C10B)



CM-45/46



CM-45/46