



## CM-3200/3500

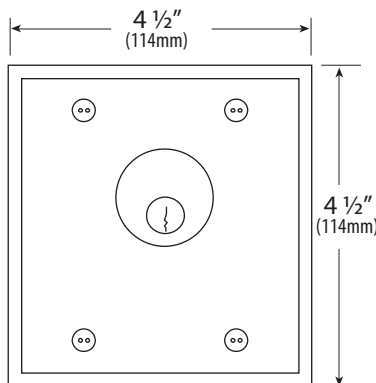
### STAINLESS STEEL KEY SWITCH CONTROLS



CM-3200



CM-3500



CM-3200

#### FEATURES

- HEAVY DUTY DOUBLE GANG STAINLESS STEEL FACEPLATE
- INDOOR OR OUTDOOR FLUSH APPLICATIONS
- ACCEPTS ONE OR TWO STANDARD MORTISE CYLINDERS, 1" - 1 1/4"
- LOCATORS PREVENT CYLINDER FROM SPINNING
- NO SET SCREWS REQUIRED
- VANDAL RESISTANT
- TAMPER PROOF SCREWS & DRIVER PROVIDED
- UL/CSA APPROVED SWITCHES
- UP TO 4 SWITCHES MAY BE INSTALLED
- LEFT AND/OR RIGHT OPERATION
- WIDE RANGE OF SWITCH CONFIGURATIONS
- COLOR CODED 18 AWG SOLDERED LEADS
- HEAT SHRINK PROTECTIVE SLEEVE OVER CONTACTS
- CASTED CENTRE RIB PROTECTS SWITCHES FROM DAMAGE
- CUSTOM COLOR FINISHES & ENGRAVING AVAILABLE
- OPTIONAL LED INDICATORS
- FAST & EASY TO INSTALL
- OPTIONAL 1-60 SECOND DPST PNEUMATIC TIME DELAY

#### DESCRIPTION

**CAMDEN DOOR CONTROLS, CM-3200/3500 Series** flush mount switches meet the stringent demands of key switch controls. They are designed for use with standard 1", 1 1/8", or 1 1/4" mortise cylinders. The assembly will accept one or two cylinders with up to four switches.

CM-3200/3500 series are double gang width, with heavy duty stainless steel faceplates. Also included are brass cylinder lock rings, 4 socket/slotted screws, and 4 tamperproof screws with driver. (The mortise cylinder is not included, but is available from CAMDEN DOOR CONTROLS.) The design and construction makes it ideal for all weather environments. The assembly is tamper and vandal resistant.

CM Key Switches are flexible, and can be supplied in numerous switch configurations to suit varied commercial and industrial applications, and functions. CAMDEN Key Switches provide a practical, cost effective means for authorized personnel to control and signal various functions within a complex.

#### APPLICATION

CM-3200/3500 Series Key Switches will control overhead doors, electric locks, electro-magnetic locks, electric strikes, and motors. They are also used for automatic doors, shunting, bypassing, timed functions, activating and deactivating CCTV and access control equipment, and other applications. They are constructed for high frequency use, and will accept a standard mortise cylinder.

# STAINLESS STEEL KEY SWITCH CONTROLS

## ARCHITECTS /ENGINEERS SPECIFICATIONS

Key Switch Controls to be used throughout the site, or complex will be supplied exclusively by CAMDEN DOOR CONTROLS. The CM-3200/3500 SERIES key switches shall be used for all double gang applications.

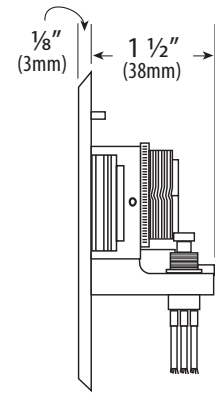
The faceplate will incorporate a mounting platform for both the cylinder, and switches, in a single piece construction. The faceplate will have 180° locators, so that no set screws shall be required to prevent the cylinder from rotating. Only a brass cylinder lock ring will be employed to hold the mortise cylinder to the faceplate. The heavy duty 18 gauge stainless steel assembly will be tamper and vandal resistant. The key switch shall be supplied with stainless steel Torx or snake eye security screws.

The casted mounting platform will have two holes for switch mounting. It will be possible to select either left or right operation. In areas requiring dual control, two cylinders shall be used offering bi-directional operation from the same key control with a total of up to four switches.

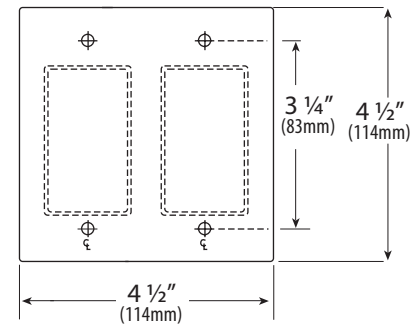
The switch component used will be a UL/CSA approved type, rated for 4 amps @ 30 VDC. They will be supplied with color coded soldered leads, encased in heat shrink tubing. The switch must be protected from accidental damage from the cylinder cam by having an integral metal centre rib incorporated into the design of the faceplate.

## ORDERING INFORMATION

All CM-3200/3500 Series Key Switches are supplied with a stainless steel double gang faceplate, cylinder lock ring, 4 socket/slotted screws, and 4 tamperproof screws with driver. (The mortise cylinder is available separately from CAMDEN DOOR CONTROLS.)



CM-3200/3500



CM-3500

MODEL	MODEL	DESCRIPTION
SINGLE CYLINDER	DOUBLE CYLINDER	
CM-3200	CM-3500	1 SPST MOMENTARY SWITCH, N/O
CM-3205	CM-3505	1 SPST MOMENTARY SWITCH, N/C
CM-3210	CM-3510	1 SPST MAINTAINED SWITCH
CM-3220	CM-3520	1 SPDT MOMENTARY SWITCH
CM-3230	CM-3530	1 SPDT MAINTAINED SWITCH
CM-3250	CM-3550	2 SPDT MOMENTARY SWITCHES
CM-3260	CM-3560	2 SPDT MAINTAINED SWITCHES
CM-3270	CM-3570	1 SPDT MAINTAINED, + 1 SPDT MOMENTARY
CM-3280	CM-3580	1 DPDT MOMENTARY SWITCH
CM-3285	CM-3585	1 PNEUMATIC SWITCH, WITH 1-60 SECOND ADJUSTABLE TIME DELAY
CM-3290	CM-3590	1 DPDT MAINTAINED SWITCH

### For Finishes, add:

- 'DUR' for DURANODIC (US 40)
- 'PB' for Polished Brass (US 3)

### For LED Indicators, add:

- 7012 Red 12V LED
- 7112 Green 12V LED
- 7212 Red & Green 12V LED's
- 7312 Bi-Color 12V LED
- 7412 Amber 12V LED
- 7024 Red 24V LED
- 7124 Green 24V LED
- 7224 Red & Green 24V LED'
- 7324 Bi-Color 24V LED
- 7424 Amber 24V LED



5502 Timberlea Blvd. Mississauga, ON Canada L4W 2T7 • Toll Free: 1 877 226-3369 (CAMDEN9)  
Tel: (905) 366-3377 • Fax: (905) 366-3378 • E-mail: info@camdencontrols.com • www.camdencontrols.com  
LIT-SP-32&3500



Certified ISO 9001: 2008

FS 541752