



UL 294 / UL 61058-1
COMPLIANT!

CM-30EE

ILLUMINATED EGRESS SWITCH (FIXED ELECTRONIC TIMER)



CM-30EE

FEATURES

- HIGH VISIBILITY 2" (50.8MM) SQUARE ILLUMINATED BUTTON
- INDUSTRIAL GRADE STAINLESS STEEL FACEPLATE
- 12 - 28V OPERATION WITH INCANDESCENT BULB (STANDARD)
- FAST AND EASY TO INSTALL
- BUILT-IN 30 SECOND TIMER, WITH DOUBLE BREAK CIRCUITRY
- SPDT 10 AMP. MOMENTARY CONTACTS
- 'CAMDEN TOUGH' 3YR. WARRANTY
- MEETS NFPA CODE REQUIREMENTS

DESCRIPTION

Camden Door Controls CM-30EE illuminated exit switches are high visibility, economical 'Request to Exit' (REX) controls. Buttons are backlit in green with black 'Push to Exit' text. They are supplied with a single gang industrial grade stainless steel faceplate and tamperproof screws.

The SPDT switch components are UL/CSA approved, rated 10 amps @ 30V DC, momentary operation.

Supplied with incandescent bulbs. They are bi-polar for ease of installation (can be inserted in base 0° or 180°).

CM-30EE is supplied with a momentary switch, and an integrated 30 second fixed timer. Pushing the button cuts power to the magnetic lock, and activates the 30 second fixed timer. This model is supplied with plastic backbox, for in-wall mounting. The double break circuit design ensures power to the maglock will be interrupted by pressing the button, should the timer or request to exit sensor malfunction.

APPLICATION

CM-30EE egress switches are ideal for any installation where a large, high visibility illuminated switch is required. They may be surface or flush mounted.

Camden illuminated exit switches are designed to control electric locks, electromagnetic locks, electric strikes, automatic doors, and low energy operators.

They may also be used for shunting, bypassing alarms, request to exit, timed functions, and many other applications.

CM-30EE is to be used where double break circuitry is required by code; typically where magnetic locks are installed.

KEY SWITCHES

PUSH BUTTONS

MOUNTING OPTIONS

RF CONTROLS

HANDS-FREE SWITCHES

SPECIAL PURPOSE SWITCHES

KEYPADS

ACCESSORIES

ARCHITECTS/ENGINEERS SPECIFICATIONS

The illuminated egress exit switches to be used in the site/complex shall be Camden Door Controls CM-30EE illuminated exit switches.

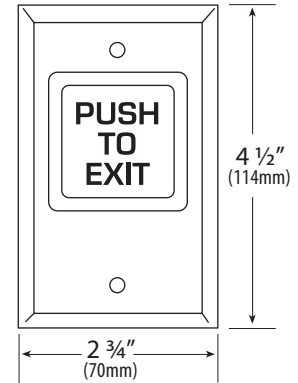
The button shall be 2" square, and designed to be easy to activate. The faceplate shall be constructed of industrial grade stainless steel, and shall be supplied with stainless steel Torx or snake eye security screws. All symbols, letters, and/or markings shall be inset under the bezel of the button so as to never wear off.

Ratings for all electrical contacts shall be a minimum of 10 amps @ 30 VDC and shall be UL 294 compliant.

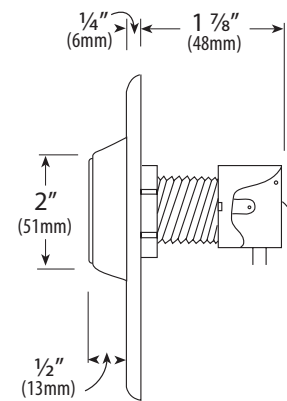
ORDERING INFORMATION

All CM-30EE illuminated exit switches come with a 2" square green button, mounted on a single gang stainless steel faceplate, integrated 30 second fixed timer, and plastic in-wall back box. 2 socket/slotted screws, and 2 tamperproof screws with driver.

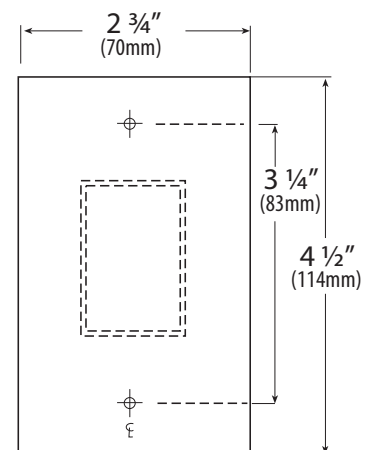
MODEL	DESCRIPTION
CM-30EE	SPRING RETURN, MOMENTARY, GREEN 'PUSH TO EXIT' LABEL, 12-28V INCANDESCENT BULB WITH INTEGRATED 30 SECOND ELECTRONIC FIXED TIMER, AND IN-WALL PLASTIC MOUNTING BOX.
CM-30EE/LED	AS ABOVE, WITH LED ILLUMINATION



FRONT VIEW



CM-30E
SIDE VIEW



CM-30EE
BOX