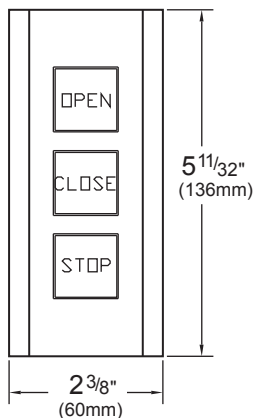


## CI-PBU3, CI-PBS3, CI-3BX AND CI-3BXL PUSH BUTTON STATIONS



CI-PBU3



CI-PBU3

### FEATURES

- INDOOR (NEMA 1) / OUTDOOR (NEMA 4) APPLICATIONS
- 3 BUTTONS FOR OPEN, CLOSE AND STOP
- CI-PBS3, CI-3BX AND CI-3BXL OUTPUTS: – 3 SINGLE POLE, MOMENTARY CONTACTS, 2 –N.O., 1-N.C., 2-FORM A, 1-FORM B CONTACTS.
- CI-PBU3 OUTPUT: – MOMENTARY CONTACT, RATED 5A @ 240V AC
- HIGH POWER OUTPUT CONTACTS
- UL RATED, CSA CERTIFIED

### DESCRIPTION

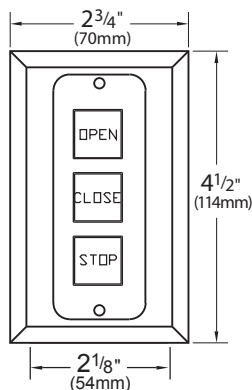
Camden Door Controls Push Button Stations meet the stringent requirements of industrial door applications. They are available in indoor and outdoor versions. They provide output contacts capable of carrying up to 10 Amps at 240 VAC. Indoor controls are NEMA 1 compliant. Outdoor controls meet NEMA 4 standards when installed with liquid tight conduit. UL Rated and CSA Approved.

### APPLICATION

Camden CI series of industrial door controls are designed for use in factories, warehouses, and other industrial applications. Models are UL Listed and CSA approved. Outdoor controls are NEMA 4 rated for use in wet environments. These controls are ideal for activating overhead doors, storefront grills, shutters and gates.



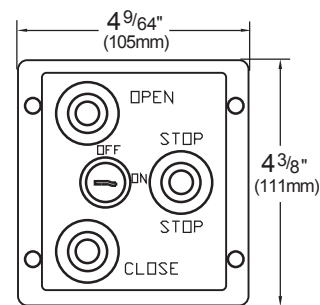
CI-PBS3



CI-PBS3



CI-3BX



CI-3BXL

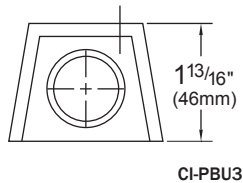
# PUSH BUTTON STATIONS

## ARCHITECTS / ENGINEERS SPECIFICATIONS

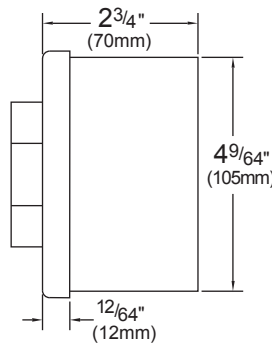
Industrial Push Button Stations shall be UL Listed and CSA approved. All outdoor controls shall be NEMA 4 rated and indoor controls shall be NEMA 1 rated. All controls shall provide Form A and Form B outputs.

## ORDERING INFORMATION

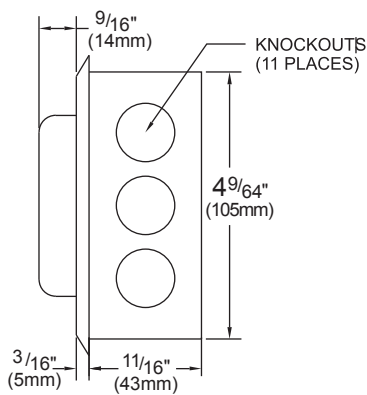
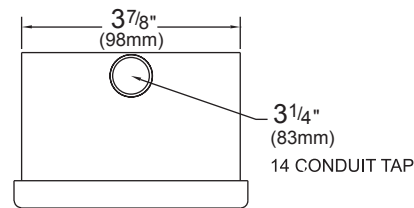
MODEL	DESCRIPTION
CI-PBU3:	3 BUTTON, OPEN/CLOSE/STOP, NEMA 1, SURFACE MOUNT, 5 AMP @ 240 VAC
CI-PBS3:	3 BUTTON, OPEN/CLOSE/STOP, NEMA 1, 10 AMP @ 240 VAC, STAINLESS FACEPLATE, FLUSH OR SURFACE MOUNT
CI-3BX:	3 BUTTON, OPEN/CLOSE/ STOP, NEMA 4, 3 AMP @ 240 VAC
CI-3BXL:	AS ABOVE, WITH KEY LOCKOUT



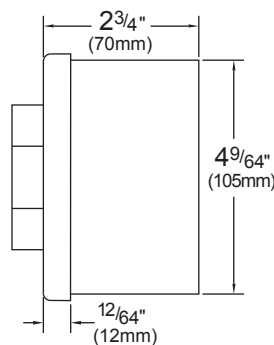
CI-PBU3



CI-3BXL



CI-PBS3



CI-3BX

