

# CYLINDRICAL LOCKS



**CE-ANSI Grade 1**  
*Heavy Duty Cylindrical Lockset*



Sentinel



Gala



Quest

# PRODUCT INTRODUCTION

---

The CE Series Cylindrical Lock is designed for High Traffic commercial areas such as schools, universities, office buildings, and industrial complexes. The CE is certified ANSI/BHMA A156.2-2011 4000 Series Grade 1 and UL10C 3 Hour Rated. Featuring an internal spring design that mitigates lever sag, and allows for an aesthetically pleasing low projection rose. The CE series is available with a standard Schlage C keyway as well as SFIC, Schlage® LFIC, Corbin® LFIC, and TownSteel High Security Cylinders. For specific CE Series information or to learn more about TownSteel products, visit [www.townsteel.com](http://www.townsteel.com) or call TownSteel Customer Service at 1-877-858-0888.

## CATALOG

### Index

|                          |   |    |
|--------------------------|---|----|
| CE Specification         | — | 03 |
| CE Features              | — | 03 |
| CE Profile               | — | 04 |
| CE Code Compliance       | — | 05 |
| CE Series Function Chart | — | 05 |
| CE How To Order          | — | 07 |





FITS CORBIN® LFIC  
LESS CORE



SFIC



FITS SCHLAGE® LFIC  
LESS CORE



Sentinel



Gala



Quest

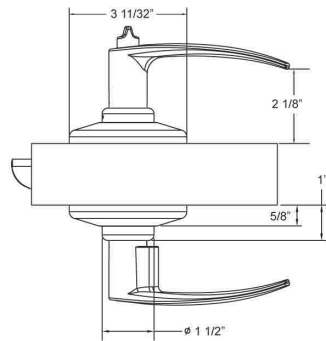
### Specification

|                                |   |
|--------------------------------|---|
| <b>Door Thickness</b>          | 1-3/4" -2"  |
| <b>Backset</b>                 | 2-3/4" standard. 5" optional  |
| <b>Latch Bolt</b>              | Stainless steel, 1/2" throw.  |
| <b>Faceplate</b>               | Self-adjustable, 1-1/8" X 2-1/4" Stainless Steel  |
| <b>Strike</b>                  | ASA strike standard, 1-1/4" X 4- 7/8", T-Strike available                               |
| <b>Lever style</b>             | Sentinel(S), Quest(Q) and Gala(G)   |
| <b>Rose Design</b>             | Wrought steel or stainless steel, low-profile, 5/8" in projection, 3-11/32" in diameter |
| <b>Clutching</b>               | Available in sentinel lever trim with polished or satin stainless steel finish only     |
| <b>Door Prep</b>               | Standard 161 door prep  |
| <b>Mounting</b>                | Through-bolt mounting with 2-5/8" center-to-center thru-bolts                           |
| <b>Cylinder</b>                | Solid Brass, Schlage "C" keyway, 6pin standard  |
| <b>High Security Cylinder</b>  | Available, 6Pin, TownSteel "L" Keyway   |
| <b>High Security SFIC Core</b> | Available, 7Pin, TownSteel "L" Keyway   |
| <b>Schlage® LFIC</b>           | Schlage® Large Format I.C. less core available, for 6pin core                           |
| <b>Corbin® LFIC</b>            | Corbin® Large Format I.C. Less Core available, for 6pin core                            |
| <b>SFIC</b>                    | Small format IC available, 6 or 7pin, Best "A" keyway                                   |
| <b>Keying</b>                  | KA, KD, Master or Grandmaster keyed, construction key system available                  |
| <b>Finishes</b>                | Plated, Stainless Steel or Powder Coat (10B)  |
| <b>Functions</b>               | Refer to function chart   |
| <b>Warranty</b>                | 10 years limited for mechanical, 5 years for finishes                                   |

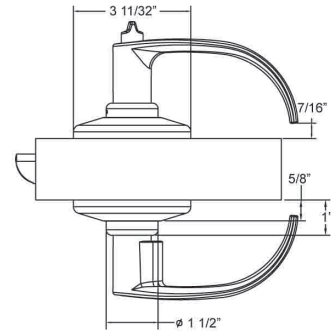
### Features

- ▶ ANSI 156.2-2011 4000 Series Grade 1 certified
- ▶ UL 3-hour rated
- ▶ Fast and easy installation
- ▶ Rotation limiters and internal lever return springs provide additional protection
- ▶ Heavy gauge mounting plates and roses
- ▶ Low profile rose design
- ▶ Clutched Sentinel Lever Trim in polished and satin stainless steel only
- ▶ Stainless steel trim available for use in harsh and corrosive environments
- ▶ Patents pending design

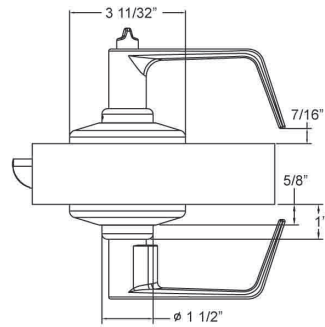
### Profile



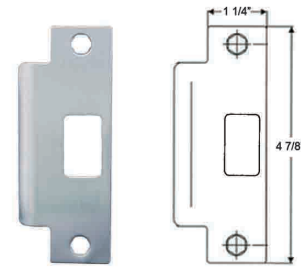
Gala



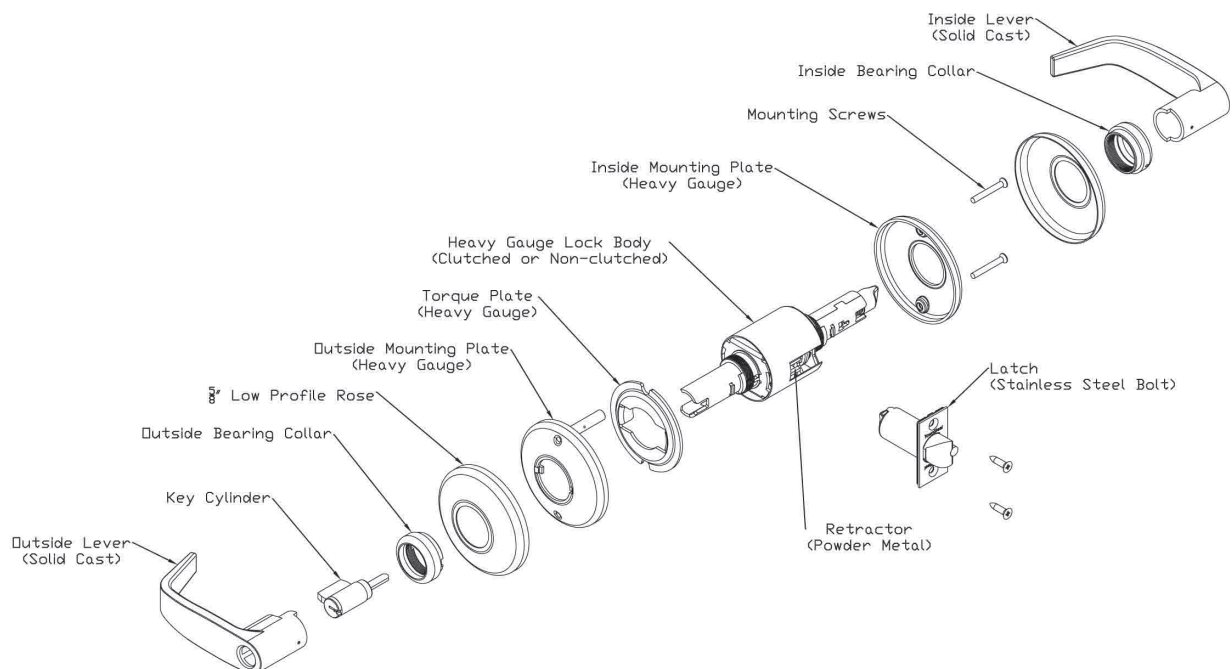
Quest



Sentinel



ASA Strike





### Code Compliance

ANSI/BHMA: A156.2-2011 4000 Series Certified

UL: UL and ULC 3-hour rated

CSFH: Sentinel and Quest lever design meets California State Reference Code (CSFH)

BAA: Meets requirements of The Buy American Act

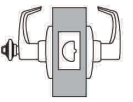
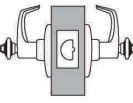
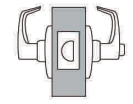
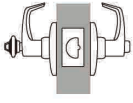
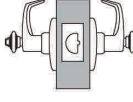
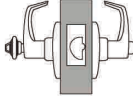
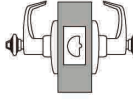
ADA: Meets guidelines of The Americans with Disabilities Act



### CE Series Functions Chart

| Outside | Inside | Series/<br>Function | Type              | ANSI<br>No. | Function Description  |
|---------|--------|---------------------|-------------------|-------------|---|
|         |        | CE-75               | Passage<br>Closet | F75         | Latchbolt operated by lever from either side at all times.  |
|         |        | CE-76               | Privacy           | F76         | Latchbolt operated by lever from either side. Outside lever is locked by push button inside and unlocked by emergency release outside, rotating inside lever or closing door.   |
|         |        | CE-77               | Patio             | F77         | Dead locking latch bolt operated by lever from either side except when outside lever is locked by push button inside. Rotating inside lever releases push button. Do not use on doors in rooms that have no other entrance.   |
|         |        | CE-80               | Communicating     | F80         | Deadlocking latchbolt operated by lever from either side. Turning key in either lever locks or unlocks its own lever independently. Do not use on doors in rooms that have no other entrance.   |
|         |        | CE-81               | Office<br>/ Entry | F81         | Dead locking latch bolt operated by lever from either side except when outside lever is locked by turn button inside. When outside lever is locked, latch bolt is operated by key in outside lever or by operating inside lever. Turning inside button locks or unlocks outside lever.                  |
|         |        | CE-82               | Entry             | F82         | Dead locking latch bolt operated by lever from either side except when outside lever is locked by push button on inside. When outside lever is locked, operating key in outside lever or operating inside lever unlocks push button and retracts latch bolt. Closing door does not release push button. |
|         |        | CE-84               | Classroom         | F84         | Deadlocking latchbolt operated by lever from either side except when outside lever is locked from outside by key. When outside lever is locked, latchbolt is operated by key in outside lever or by rotating inside lever.  |

### CE Series Function Chart

| Outside   | Inside | Series/<br>Function | Type                          | ANSI<br>No. | Function Description   |
|---|--------|---------------------|-------------------------------|-------------|--|
|    |        | CE-86               | Storeroom                     | F86         | Deadlocking latchbolt operated by key in outside lever or rotating inside lever. Outside lever is always inoperable.   |
|    |        | CE-87               | Asylum                        | F87         | Deadlocking latchbolt operated by key in lever from either side. Both lever always fixed.  |
|   |        | CE-89               | Exit Latch                    | F89         | Deadlocking latch bolt retracted by lever from inside at all times. Outside lever is always inoperable   |
|  |        | CE-90               | Corridor<br>Lock              | F90         | Dead locking latch bolt operated by lever from either side except when outside lever is locked by key in outside lever or by push button or other locking device on inside. Key in outside lever locks or unlocks outside lever. Operating inside lever releases push button or other locking device placed. Closing door releases push button or other inside locking device. Inside lever always operates latch bolt.              |
|  |        | CE-91               | Store<br>Door                 | F91         | Deadlocking latchbolt operated by lever from either side, except when both levers are locked by key in lever from either side.   |
|  |        | CE-109              | Entry / Office<br>Lock        | F109        | Deadlocking latchbolt operated by lever from either side, except when outside lever is locked by the push or turn button on inside. Key outside or operating inside lever releases push or turn button unlocking outside lever except when push or turn button has been rotated to keep outside lever locked. Inside push or turn button must be manually operated to unlock outside lever. Inside lever always operates latch bolt. |
|  |        | CE-110              | Intruder<br>Classroom<br>Lock | F110        | Dead locking latch bolt operated by lever from either side. Key either inside or outside locks or unlocks outside lever. Inside lever always operates latch bolt.  |

### How To Order

| Series              | Function                | Lever Style                        | Backset         | Cylinder  | Keying  | Finish  |
|---------------------|-------------------------|------------------------------------|-----------------|---|---|---|
| CE: Non-Clutch Trim | Refer to function Chart | S: Sentinel<br>Q: Quest<br>G: Gala | 2-3/4<br><br>5" | R: Regular KIL<br>H: High Security<br>H7: High Security<br>SFIC 7Pin<br>S6: SFIC 6pin<br>S7: SFIC 7pin<br>LF: Schlage LFIC less core for 6pin<br>C6: Corbin LFIC less core for 6pin | KD: Keyed Different<br>KA: Keyed Alike<br>MK: Master Keyed<br>GMK: Grand Master Keyed | US26D: Satin Chrome<br>US10B: Powder Coat<br>US32D: Satin Stainless Steel |

**Example:**

CE - 84 - S - 2-3/4 - R - MK - US26D



- ※ Use CEC for clutched trim, only available in sentinel lever with polished or satin stainless steel trim
- ※ Other finishes upon request



**TownSteel Inc.**

17901 Railroad Street, City of Industry, CA 91748

Toll Free: (877) 858-0888

Tel: (626) 965-8917

Fax: (626) 965-8919

[sales@townsteel.com](mailto:sales@townsteel.com)

[www.townsteel.com](http://www.townsteel.com)