

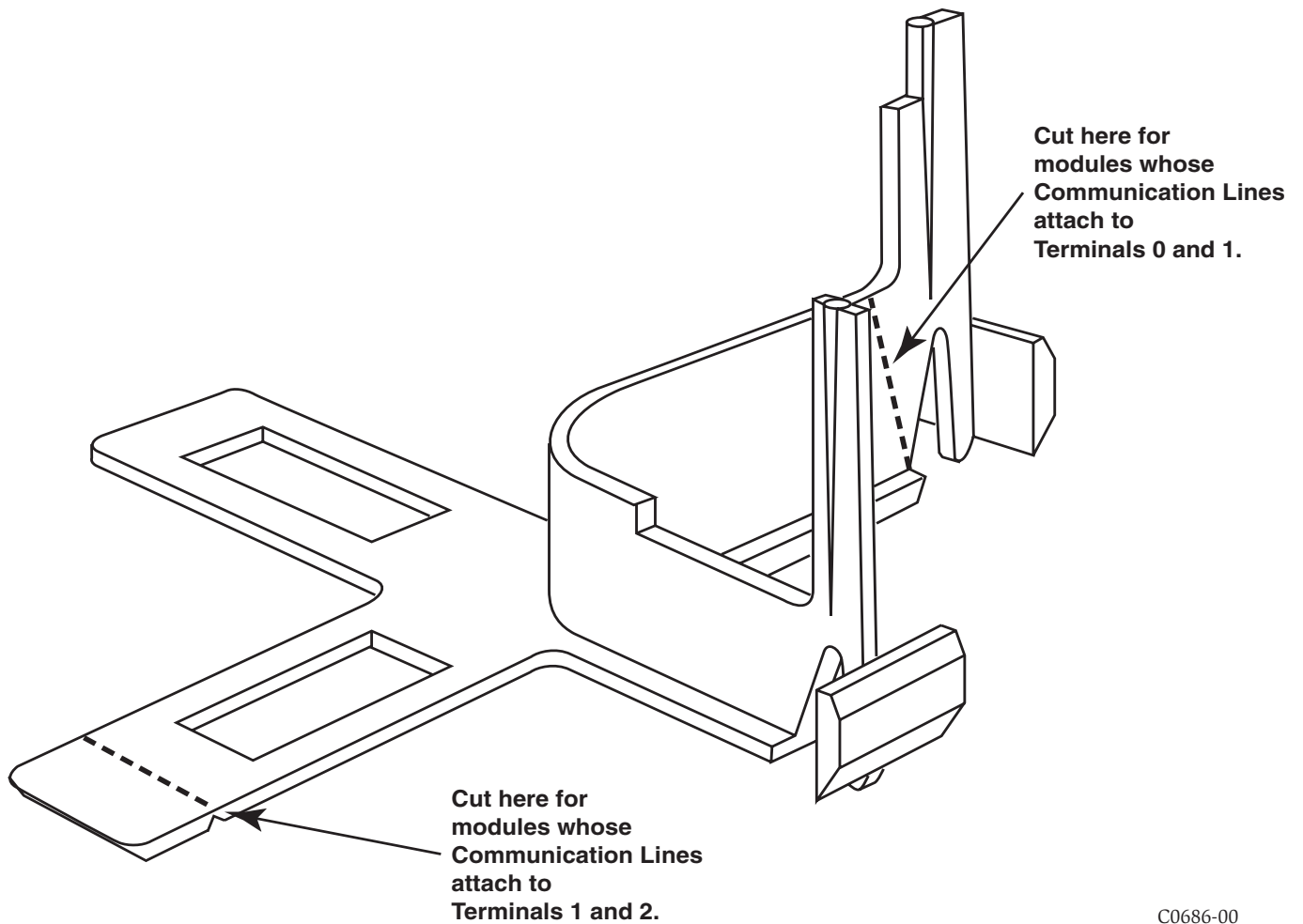
CB500 Wiring Barrier

The CB500 barrier is used to separate power limited and non-power limited wiring in a junction box. It is designed for multiple applications, and one plastic tab must be removed prior to installation into a junction box.

Refer to the installation manual for the module being installed to determine which screw terminals are used to attach the Communication Lines. Then, use diagonal cutters to cut off the appropriate tab on the barrier, as shown in the diagram below.

Prior to installing the barrier into the junction box, peel off the label which says *SIGNALING LOOP CIRCUIT TERMINALS ARE POWER LIMITED. OTHERS ARE NOT.* Affix this label over that portion of the label on the back of the module which says *ALL CIRCUITS ARE POWER LIMITED.*

Additional instructions on the installation of this barrier can be found in the installation manual for the module.



C0686-00

PDM Document Status: Prod Release - Approved for Production

E462488

11:31:33

Printed On: 27-Oct-2010