

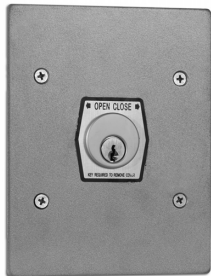
CI-1K SERIES KEY SWITCHES

FEATURES

- INTERIOR OR EXTERIOR USE
- HEAVY-DUTY DIE CAST ALUMINUM ENCLOSURE
- NEMA 1 AND NEMA 2 RATED FOR INTERIOR USE
- NEMA 4 RATED FOR EXTERIOR USE
- FORM A AND FORM C OUTPUTS AVAILABLE
- HIGH POWER OUTPUTS
18A @ 125 VDC
15A @ 250 VDC
- TAMPER RESISTANT
- UL LISTED, CSA CERTIFIED



CI-1KFS



CI-1KF

DESCRIPTION

CAMDEN DOOR CONTROLS CI Series of key and gate switches feature heavy-duty faceplates with die cast aluminum enclosures and rubber gaskets. These key switches provide 2 SPST momentary switches and a mortise cylinder with 2 keys. UL Listed and CSA certified, these key switches are also tamper proof. To gain access to the interior of the switch, remove the cover plate screws. Insert and turn the key clockwise or counterclockwise as far as it will go. Holding the key in place, pull the cover straight off the chassis.

APPLICATION

CAMDEN DOOR CONTROLS CI Series key and gate switches are designed to control automatic overhead doors, security gates, storefront grills and shutters. They can also be used for shunting, bypassing alarms, request to exit, timed functions and many other applications.



CI-1KX



CI-1KSMX



CI-GKS1

INDUSTRIAL KEY SWITCHES

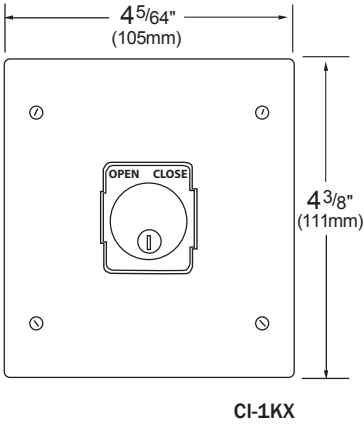
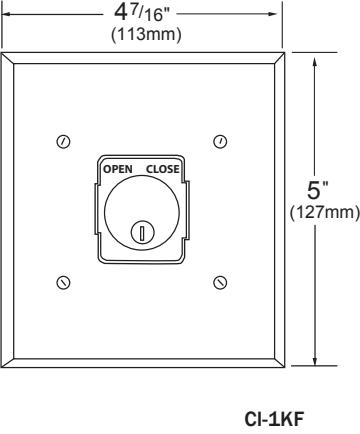
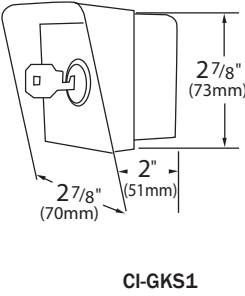
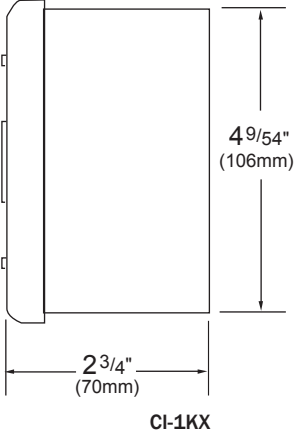
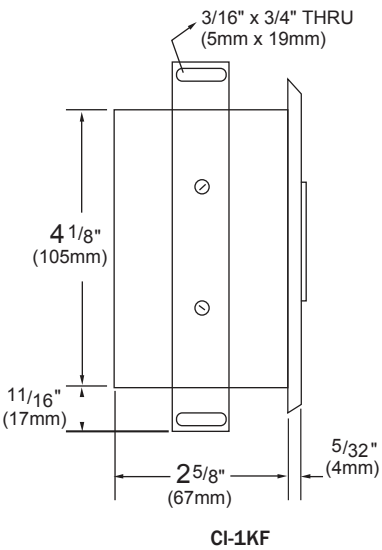


ARCHITECTS /ENGINEERS SPECIFICATIONS

The key switches used throughout the complex shall be tamper resistant with heavy-duty faceplates. The enclosures shall be constructed of die cast aluminum with a rubber gasket to seal against moisture. The key switches shall be Nema 1 and Nema 2 compliant for indoor use and Nema 4 compliant for outdoor use. The switches shall be rated for 18A @ 125 VDC, 15A @ 250 VDC, and shall be UL Listed and CSA approved. All switches shall be tamper resistant.

SPECIFICATIONS

APPLICATION	MODEL	DESCRIPTION
INDOOR	CI-1KF	FLUSH MOUNT, NEMA 1 AND 2
	CI-1KFS	FLUSH MOUNT WITH HEAVY DUTY STOP BUTTON, NEMA 1 AND 2
	CI-1KSM	SINGLE GANG, WITH STAINLESS WALL PLATE, SURFACE OR FLUSH MOUNT, NEMA 1
OUTDOOR	CI-1KX	DIE CAST ALUMINUM ENCLOSURE, PAINTED GREY, NEMA 1,2,3R, 4,6,12,13 AND ICS
	CI-KXS	DIE CAST ALUMINUM ENCLOSURE, PAINTED GREY WITH WEATHERIZED STOP BUTTON, NEMA 1,2,3R, 4,6,12,13 AND ICS
	CI-1KSMX	SINGLE GANG ENCLOSURE WITH SPRING LOADED WEATHER RESISTANT COVER.
GATE SWITCHES	CI-GKS1	POST MOUNTED GATE SWITCH, SPDT, 3A @ 30 VDC
	CI-GKS2	POST MOUNTED GATE SWITCH, 2 SPDT, 3A @ 30 VDC



5502 Timberlea Blvd. Mississauga, ON Canada L4W 2T7 • Toll Free: 1 877 226-3369 (CAMDEN9)
 Tel: (905) 366-3377 • Fax: (905) 366-3378 • E-mail: info@camdencontrols.com • www.camdencontrols.com
LIT-SP-1KSERIE

