

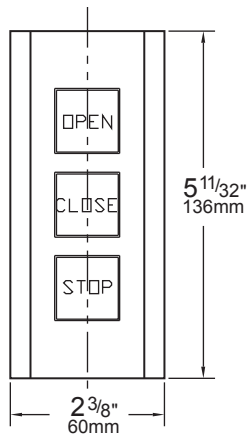
## CI-PBU3, CI-PBS3, CI-3BX AND CI-3BXL PUSH BUTTON STATIONS

### FEATURES

- INDOOR (NEMA 1) / OUTDOOR (NEMA 4) APPLICATIONS
- 3 BUTTONS FOR OPEN, CLOSE AND STOP
- CI-PBU3, CI-3BX AND CI-3BXL OUTPUTS:
  - 3 SINGLE POLE, MOMENTARY CONTACT, 2 –N.O., 1-N.C., 2-FORM A, 1-FORM B CONTACTS.
- CI-PBU3 OUTPUT:
  - MOMENTARY CONTACT, RATED 5A @ 240V AC
- HIGH POWER OUTPUT CONTACTS
- UL RATED, CSA CERTIFIED



CI-PBU3



CI-PBU3

### DESCRIPTION

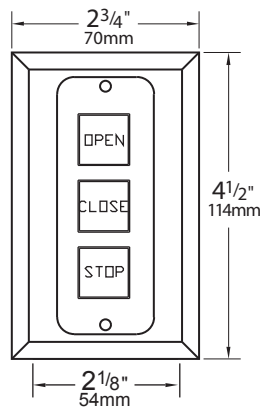
**CAMDEN DOOR CONTROLS Push Button Stations** meet the stringent requirements of industrial door applications. They are available in outdoor and indoor versions. They provide output contacts capable of carrying up to 5 Amps at 240 VAC. Outdoor controls meet NEMA 4 standards when installed with liquid tight conduit. Indoor controls are NEMA 1 compliant. UL Rated and CSA Approved.

### APPLICATION

Camden CI series of industrial door controls are designed for use in factories, warehouses, and other industrial applications. Models are UL Listed and CSA approved. Outdoor controls are NEMA 4 rated for use in wet environments. These controls are ideal for activating overhead doors, storefront grills, shutters and gates.



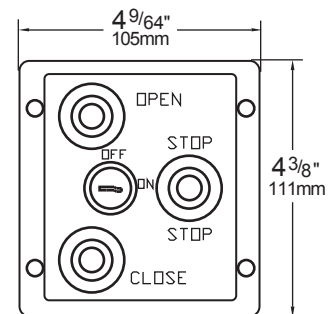
CI-PBS3



CI-PBS3



CI-3BX



CI-3BXL

# PUSH BUTTON STATIONS



## ARCHITECTS / ENGINEERS SPECIFICATIONS

Door controls to be used throughout the complex shall be UL Listed and CSA approved. All outdoor controls shall be NEMA 4 rated and indoor controls shall be NEMA 1 rated. All controls shall provide Form A and Form B outputs. Control outputs shall be capable of sustaining a 3 Amp current draw at 240 VAC.

## ORDERING INFORMATION

MODEL	DESCRIPTION
CI-PBU3	3 BUTTON, OPEN/CLOSE/STOP, NEMA 1, SURFACE MOUNT, 5 AMP @ 240 VAC
CI-PBS3	3 BUTTON, OPEN/CLOSE/STOP, NEMA 1, 3 AMP @ 250 VAC, STAINLESS FACEPLATE, FLUSH OR SURFACE MOUNT
CI-3BX	3 BUTTON, OPEN/CLOSE/ STOP, NEMA 4, 3 AMP @ 240 VAC
CI-3BXL	AS ABOVE, WITH KEY LOCKOUT

