

# BMC-33B

## HIGH SECURITY BALANCED CONTACT

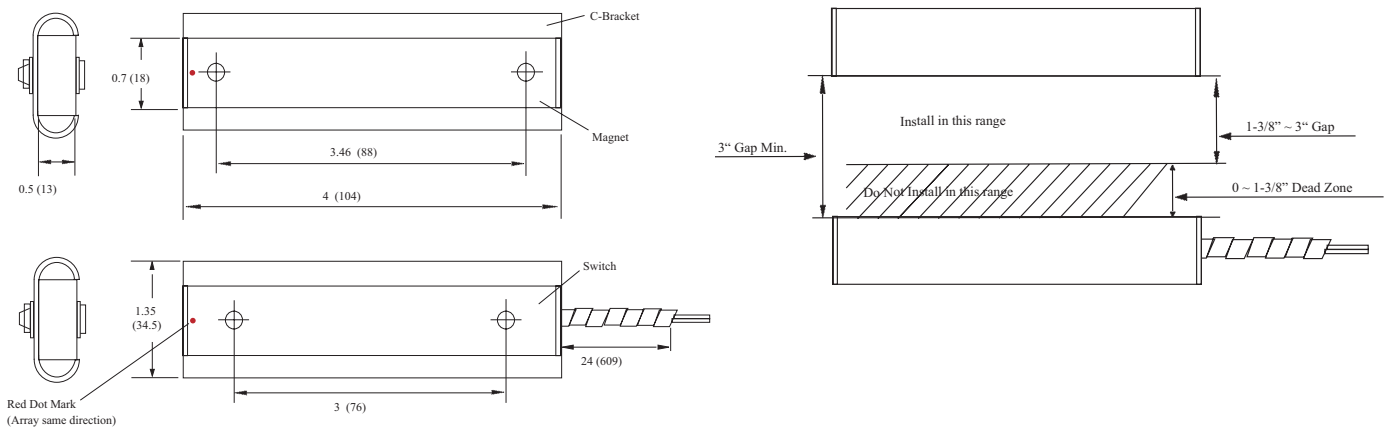


- 1 3/8" to 3" operating gap
- 24" armored cable
- Corrosion resistant
- Alnico 6 magnet
- Anodized aluminum housing

### Application

The BMC-33B Anti-Defeat Magnetic Contacts are uniquely designed and constructed to make defeating almost impossible. The switch housing contains specially arranged reed switches. These reed switches are pre-set in a biased format with ring magnets, producing a symmetrical magnetic field. The magnetic layout is designed with a combination of three polarized magnets. This switch and magnetic combination produces a perfect symmetrical magnetic field in a balanced condition, as if no magnet field existed. Any attempt to bypass or defeat the BMC-33B with an external magnet will cause the magnetic fields to be imbalanced, thus causing an alarm condition.

### Dimensions



### Specifications

| Model   | Stock Number | Contact Rating | Contact Type | Max. Carry Current | Max. Switching Current | Breakdown Voltage | Operating Gap | Mounting Method | Operating Temperature Range |
|---------|--------------|----------------|--------------|--------------------|------------------------|-------------------|---------------|-----------------|-----------------------------|
| BMC-33B | 4440004      | 3VA            | N.O./N.C.    | .5 Amp             | .5 Amp                 | 200VDC Min.       | 1 3/8" to 3"  | Screws          | 32°F to 120°F (0°C to 49°C) |