

1 | Overview

The B600 Retrofit (ZONEX) module enables the use of ZONEX devices on the B9512G/B8512G control panel. The B600 module connects to the control panel through a proprietary connection (cable provided with module) and establishes communication with ZONEX modules through the supporting ZONEX terminals.

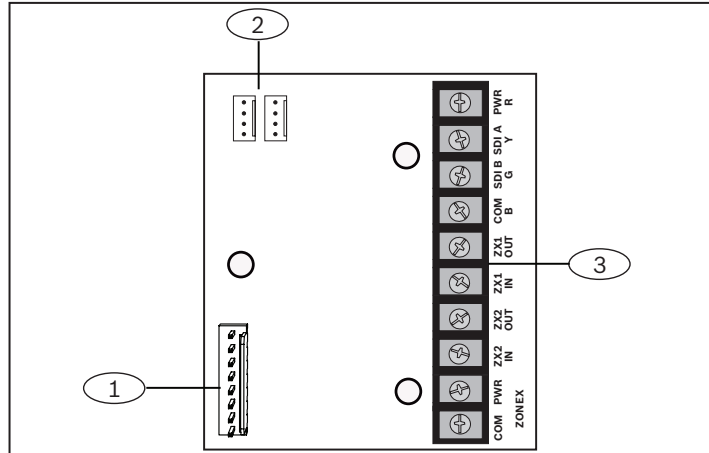


Figure 1.1: B600 module

Callout – Description

- 1 – B600 ZONEX terminal connector
- 2 – SDI connection (requires SDIx bus to be configured to work as SDI)
- 3 – ZONEX and SDI bus terminal strip (removable terminal strip from legacy G Series control panels plugs directly into this connector).

2 | Pre-installation

Remove the terminal strip (provided) from the B600 prior to retrofit applications. Do this by tilting the strip up and outward. Refer to *Figure 2.1*.

Refer to *Section 4.4*, for new installations which require wiring into the B600 terminal strip.

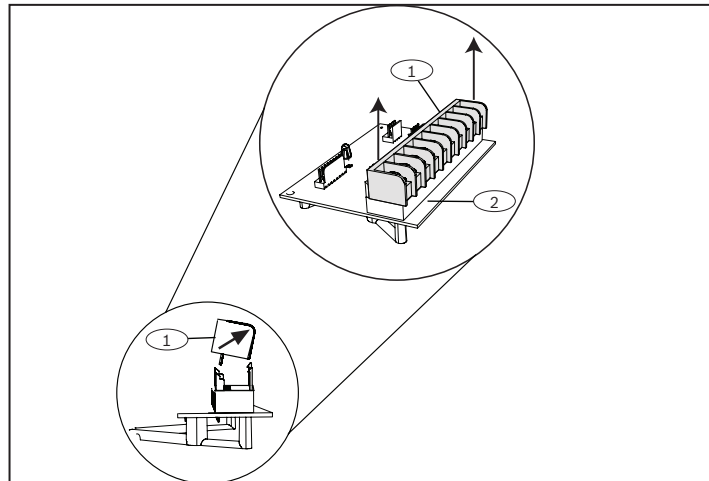


Figure 2.1: Removing the terminal strip from the B600

Callout – Description

- 1 – B600 terminal strip (out of the box)
- 2 – B600 module

3 | Installation

Install the module in the enclosure, and then connect it to the control panel.



CAUTION!

Remove all power (AC and battery) before making any connections. Failure to do so might result in personal injury and/or equipment damage.

3.1 | Mount the module in the enclosure

Mount the module into the lower right area of the control panel enclosure's 3-hole mounting pattern using the supplied screws and mounting bracket. Refer to *Figure 3.1*.

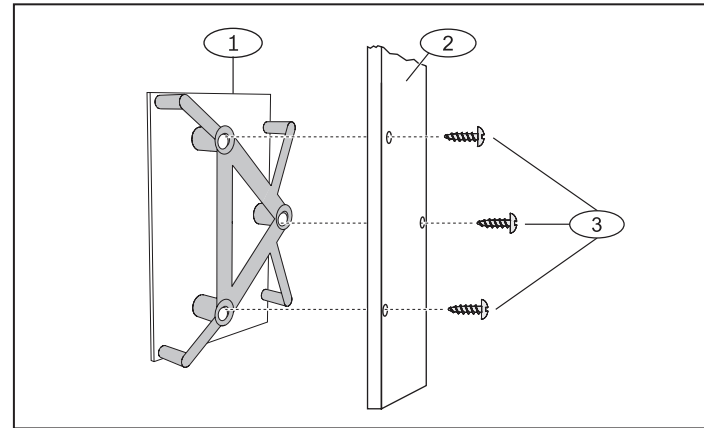


Figure 3.1: Mounting the module in the enclosure

Callout – Description

- 1 – Module and three hole mounting bracket
- 2 – Control panel enclosure
- 3 – Mounting screws (3)

4 | Wiring

Perform the following steps to wire the B600 module.

4.1 | Wiring to the control panel

Use the module's cables provided when you wire the module to a control panel. Program the SDIx bus to operate as the SDI bus. Make cable connections to the control panel as shown in *Figure 4.1*.

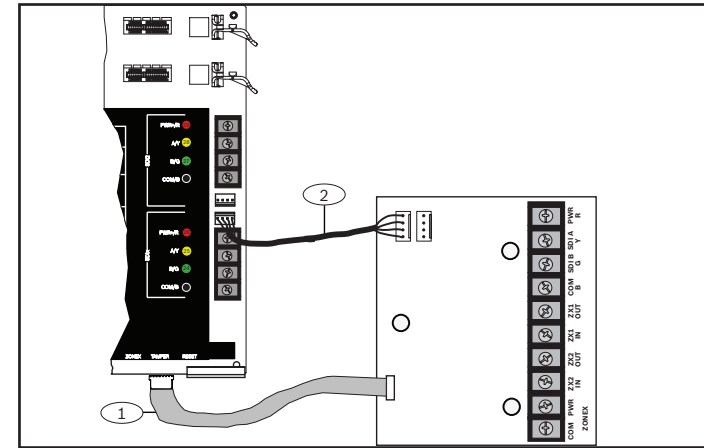


Figure 4.1: Wiring the module to the control panel (B9512G shown)

Callout – Description

- 1 – ZONEX connection cable (P/N: F01U295103 - included)
- 2 – SDI interconnect cable (P/N: F01U079745 - included, also sold in a 10-pack - P/N: B501-10)

4.2 | Wire to legacy ZONEX devices

Use your existing Legacy ZONEX devices to connect to the B600. Refer to the figure below for an example of wiring legacy ZONEX devices.

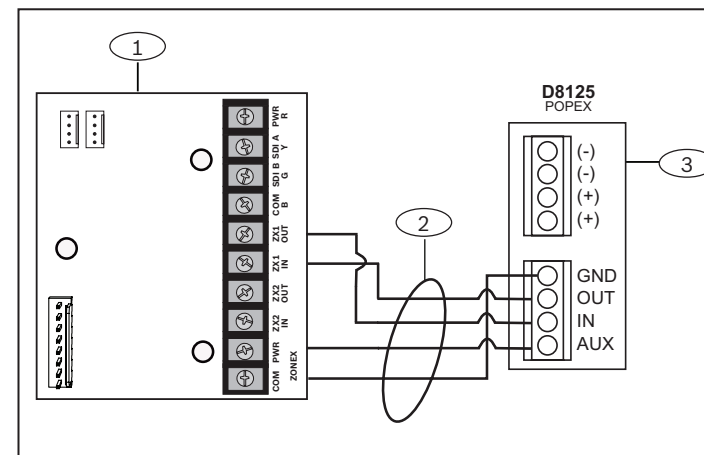


Figure 4.2: Wiring a B600 module to a legacy module (D8125 shown)

Callout – Description

- 1 – B600
- 2 – ZONEX 1 wiring
- 3 – D8125

5 | Retrofit from legacy control panel

Using your existing terminal wiring strip, retrofitting your current ZONEX devices to your new control panel is easy.

Remove the terminal strip which contains the legacy ZONEX devices from the legacy control panel by tilting the strip up and outward. Do not remove the wiring from the terminal strip. Refer to *Figure 5.1*.

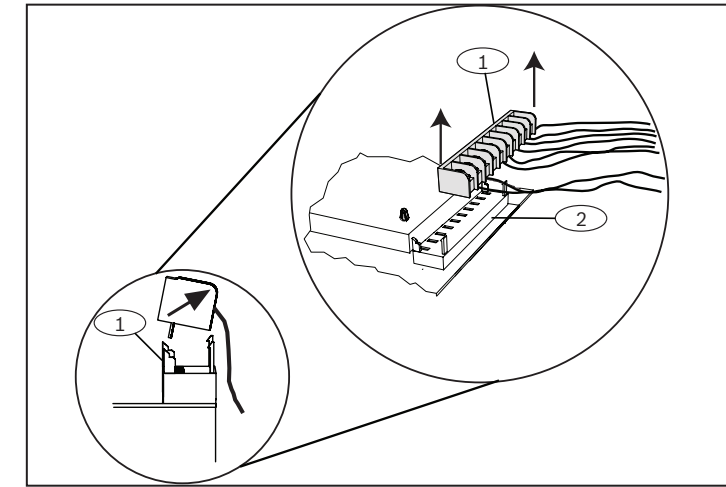


Figure 5.1: Removing terminal strip from legacy control panel

Callout – Description

- 1 – Terminal strip (from legacy control panel)
- 2 – Legacy control panel (for example; D9412GV2)

Insert the terminal strip with the legacy ZONEX devices onto the B600 module. Refer to *Figure 5.2*.

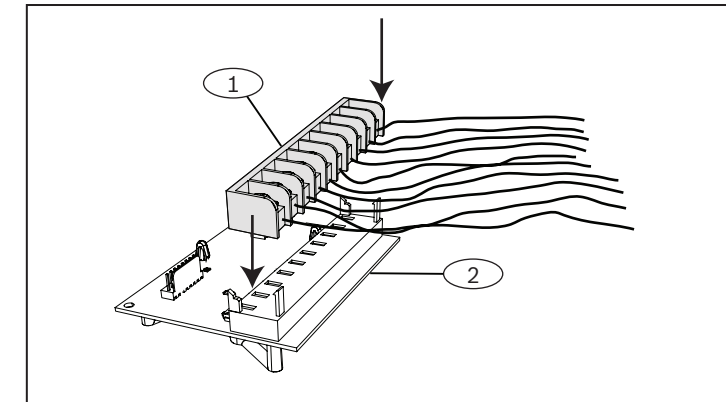


Figure 5.2: Inserting the terminal strip into the B600

Callout – Description

- 1 – Terminal strip (from legacy control panel)
- 2 – B600

6 | Configuration

Use Remote Programming Software (RPS) to configure your new POPEX devices and/or your ZONEX/POPEX devices.

7 | B600 device compatibility list

The B600 ZONEX module includes two ZONEX busses (ZONEX1, ZONEX2). Each ZONEX bus supports up to 15 D8128D modules, and/or up to D8129 Octo-relay modules. D8128D and D8129 modules can be combined on a single ZONEX bus. Total number of modules cannot exceed 15 modules. Refer to the following table for supported compatibilities.



NOTICE!

The total number of both D8128D and D8129 modules cannot exceed 15 on a single ZONEX bus. For example, if you have 10 D8128D modules you can only have 5 D8129 modules.

Compatible module	ZONEX 1	ZONEX 2
D8125 Zone Expansion Module	1	1
D8128D OctoPOPIT Eight-point Expander	15	15
D8129 Octo-relay Module	15	15

Table 7.1: B600 device compatibility list

8 | Certifications

Region	Certification
US	UL 365 - Police Station Connected Burglar Alarm Units and Systems
	UL 609 - Local Burglar Alarm Units and Systems
	UL 636 - Holdup Alarm Units and Systems
	UL 864 - Control Units and Accessories for Fire Alarm Systems
	UL 985 - Household Fire Warning System Units
	UL 1023 - Household Burglar-Alarm System Units
	UL 1076 - Proprietary Burglar Alarm Units and Systems
	UL 1610 - Central Station Burglar Alarm Units
	ANSI/SIA CP-01:2010
	FCC Part 15 Class B
CA	Canada CAN/ULC S303 - Local Burglar Alarm Units and Systems
	CAN/ULC S304 - Signal Receiving Centre and Premise Alarm Control Units
	CAN/ULC S545 - Residential Fire Warning Alarm Systems Control units
	ULC-ORD C1023 - Household Burglar Alarm System Units
	ULC-ORD C1076 - Proprietary Burglar Alarm Units and Systems
	ICES-003 - Digital Apparatus

9 | Specifications

Dimensions	2.76 in x 3.86 in x 1.03 in (70.3 mm x 98.0 mm x 26.0 mm)
Voltage (input)	12 VDC nominal
Current	Standby: 12 mA + total device current Alarm: 12 mA + total device current
Operating temperature	0°C to +50°C (+32°F to +122°F)
Relative humidity	5% to 93% at +32°C (+90°F) non-condensing
Terminal wire size	12 AWG to 22 AWG (2 mm to 0.65 mm)
SDI wiring	Use the supplied interconnect cable (P/N: F01U079745) (also sold in a 10-pack - P/N: B501-10)
ZONEX wiring	Use the supplied ZONEX connection cable (P/N: F01U295103)
Compatible control panels	B9512G/B9512G-E/B8512G/B8512G-E (Refer to the control panel installation document for the number of supported devices.)
Compatible accessories	D8125 Zone Expansion Module D8128D OctoPOPIT Module D8129 Octo-relay Module

Copyright

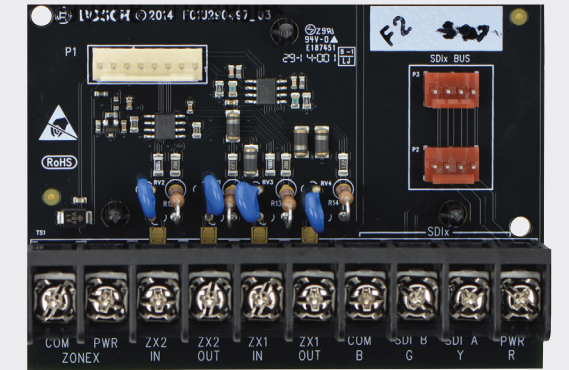
This document is the intellectual property of Bosch Security Systems, Inc. and is protected by copyright. All rights reserved.

Trademarks

All hardware and software product names used in this document are likely to be registered trademarks and must be treated accordingly.

Bosch Security Systems, Inc. product manufacturing dates

Use the serial number located on the product label and refer to the Bosch Security Systems, Inc. website at <http://www.boschsecurity.com/datecodes/>.



Retrofit ZONEX Module B600



en Installation Guide

Bosch Security Systems, Inc.
130 Perinton Parkway
Fairport, NY 14450
USA
www.boschsecurity.com

