

Amber and Clear Strobes and Speaker Strobes with Alert Lettering



Description:

The Wheelock amber and alert notification strobe and speaker strobe appliances are built with the same high quality circuits and parts used in the Wheelock life safety strobes and speakers. They are available with clear or amber lenses, with other colors and lettering available through special order. The amber lens strobe products are listed under UL Standard 1638 for general signaling and the amber lenses been tested to meet UL 1971 light distribution. These appliances are suitable for indoor applications, with specific models available for outdoor/weatherproof applications. All models can be mounted to standard electrical boxes and all wall models can optionally be mounted to Wheelock surface mount boxes. The outdoor models can be wall mounted to standard electrical boxes using the WFP adapter or to Cooper Wheelock's surface mount boxes. The RSS models have an integrated strobe mounting plate that can be mounted to standard electrical boxes or to the Wheelock surface mount boxes.

The strobes have been tested to operate from 16 to 33 vdc (using filtered or FWR voltage). Intensity options for clear lens models include multi-candela models with four field selectable settings of 15, 30, 75, and 110cd. Intensity options for amber lens models include multi-candela models with four field selectable settings of 11, 22, 56, and 82cd.

All inputs are compatible with standard supervision of circuit wiring by an FACP and provide a synchronized strobe appliance when used in conjunction with a Dual Sync Module (DSM), Wheelock power supplies or a panel employing the Wheelock patented sync protocol.

Other Wheelock signaling products can be provided with colored lens strobes - contact Customer Service for availability.

Features:

- Approvals include: UL 1638, UL 1971, UL 1480
- Designed for UFC compliant
- Amber Lenses have been tested to meet UL 1971 light distribution
- Field selectable candela settings of 15/30/75/110cd or 12/22/56/82cd
- 24VDC strobe models operate from 16-33 VDC using filtered DC or unfiltered FWR input voltage
- Weatherproof models
- Clear and amber lenses
- Compatible with reverse polarity supervision circuits
- Strobes can be synchronized with the Wheelock DSM sync modules or panels employing Wheelock sync protocol
- Combination speaker/strobes available for voice messages with visual alerting
- Mount to standard electrical boxes
- High quality designs from the leader in fire notification alarms
- All are 8 watt
 - S8-24MCC-A/W (109944)
 - S8-24MCC-NW (103694)
 - S8-24MCCH-NH-NW

Applications:

The Wheelock colored lens strobe products are designed for effective alerting of employees or personnel in military, government and industrial applications. They are ideal to comply with the UFC (Unified Facilities Criteria) for Mass Notification systems and for emergency, warning or trouble notification in many industrial operations.

NOTE: All CAUTIONS and WARNINGS are identified by the ▲ symbol. All warnings are printed in bold capital letters.

▲WARNING: PLEASE READ THESE SPECIFICATIONS AND ASSOCIATED INSTALLATION INSTRUCTIONS CAREFULLY BEFORE USING, SPECIFYING OR APPLYING THIS PRODUCT. FAILURE TO COMPLY WITH ANY OF THESE INSTRUCTIONS, CAUTIONS OR WARNINGS COULD RESULT IN IMPROPER APPLICATION, INSTALLATION AND/OR OPERATION OF THESE PRODUCTS IN AN EMERGENCY SITUATION, WHICH COULD RESULT IN PROPERTY DAMAGE, AND SERIOUS INJURY OR DEATH TO YOU AND/OR OTHERS.

General Notes:

- Strobes are designed to flash at 1 flash per second minimum over the Regulated Voltage Range.
- Products are listed for indoor use with a temperature range of 32°F to 120°F (0°C to 49°C) and maximum humidity of 93% (± 2%).
- Weatherproof products are listed for use with a temperature range of -31°F to 150°F (-35°C to 66°C) and maximum humidity of 95% RH.

Specification and Ordering Information

Wall Models	Part Number	Candela	Lens Color	Base Color ¹	Lettering Color ²	Speaker Taps	Mounting Options	Agency Approval ³
E50-24MCW-ALW	116397	Multi-15,30,75,110	Clear	White	Red	1/8 to 2 watts	4"x 2-1/8" or E50SSB-W	UL 1480, 1971, FM
E50-ALW	116510	N/A	N/A	White	Red	1/8 to 2 watts	4" x 2-1/8" or E50SB-W	UL 1480, FM
E70-24MCW-ALW	114124	Multi-15,30,75,110	Clear	White	Red	1/8 to 2 watts	4" x 2-1/8" + 1-1/2" ext ring, 4" + SER-W or SBB-W	UL 1480, 1971, FM
E70A-24MCW-ALW	117203	Multi-11,22,56,82	Amber	White	Red	1/8 to 2 watts	4" x 2-1/8" + 1-1/2" ext ring, 4" + SER-W or SBB-W	UL 1480, 1638, FM
ET70-24MCW-ALW	117000	Multi-15,30,75,110	Clear	White	Red	1/8 to 8 Watts	4" x 2-1/8" + 1-1/2" ext ring, 4" + SER-W or SBB-W	UL 1480, 1971, FM
ET70A-24MCW-ALW	116277	Multi-11,22,56,82	Amber	White	Red	1/8 to 8 Watts	4" x 2-1/8" + 1-1/2" ext ring, 4" + SER-W or SBB-W	UL 1480, 1638, FM
ET70A-24MCWH-NW	115550	Multi-101,138	Amber	White	No Lettering	1/8 to 8 Watts	4" x 2-1/8" + 1-1/2" ext ring, 4" + SER-W or SBB-W	UL 1480, 1638, FM
RSS-24MCW-ALW	125842	Multi-15,30,75,110	Clear	White	Red	N/A	1 & 2 gang, 4" SQ or SHBB-W	UL 1971, FM
RSS-24MCWH-ALW	125704	Multi-135,185	Clear	White	Red	N/A	1 & 2 gang, 4" SQ or SHBB-W	UL 1971, FM
RSSA-24MCW-ALW	124019	Multi-11,22,56,82	Amber	White	Black	N/A	1 & 2 gang, 4" SQ or SHBB-W	UL 1638, FM
RSSA-24MCWH-ALW	122750	Multi-101,138	Amber	White	Black	N/A	1 & 2 gang, 4" SQ or SHBB-W	UL 1638, FM
RSSPA-24MCW-ALW	106093	Multi-11,22,56,82	Amber	White	Red	N/A	1 & 2 gang, 4" SQ or SHBB-W	UL 1638, FM
Ceiling Models								
E60-24MCC-ALW	116543	Multi-15,30,75,95	Clear	White	Red	1/8 to 2 watts	4" SQ. x 2-1/8" + 1-1/2" EXT RING or 4" SQ. x 2-1/8" + E60EXT-W	UL 1480, 1971, FM
E90-24MCC-ALW	114189	Multi-15,30,75,95	Clear	White	Red	1/8 to 2 watts	4" x 2-1/8" + 1-1/2" ext ring	UL 1480, 1971, FM
E90A-24MCC-ALW	115900	Multi-11,22,56,71	Amber	White	Black	1/8 to 2 watts	4" x 2-1/8" + 1-1/2" ext ring	UL 1480, 1638, FM
ET90A-24MCC-ALW	110277	Multi-11,22,56,71	Amber	White	Red	1/8 to 8 Watts	4" x 2-1/8" + 1-1/2" ext ring, 4" + SER-W or SBB-W	UL 1480, 1638, FM
RSS-24MCC-ALW	124004	Multi-15, 30, 75, 95	Clear	White	Black	N/A	1 & 2 gang, 4" SQ or SHBB-W	UL 1480, 1971, FM
RSSA-24MCC-ALW	128013	Multi-11,22,56,71	Amber	White	Red	N/A	1 & 2 gang, 4" SQ or SHBB-W	UL 1638, FM
RSSA-24MCCH-ALW	100269	Multi-86,132	Amber	White	Red	N/A	1 & 2 gang, 4" SQ or SHBB-W	UL 1638, FM
S8A-24MCC-NW	103694	Multi-15,30,75,95	Amber	White	No Lettering	1/8 to 8 watts	8" Backbox; 8" & 4" tile bridge	UL 1480
Weatherproof Models								
ET70WP-2475W-ALW	114481	75	Clear	White	Red	1/8 to 8 Watts	IOB-W or WFP + 4" 2-1/8"	UL 1480, 1971, FM
ET70WPA-2475W-ALW	110275	56	Amber	White	Red	1/8 to 8 Watts	IOB-W or WFP + 4" 2-1/8"	UL 1480, 1638, FM
ET70WPA-2475C-ALW	119833	56	Amber	White	Red	1/8 to 8 Watts	IOB-W or WFP + 4" 2-1/8"	UL 1480, 1638, FM
RSSWPA-2475C-ALW	124800	56	Amber	White	Red	N/A	WPSBB-W	UL 1638, FM
RSSWPA-2475W-ALW	125214	56	Amber	White	Red	N/A	WPSBB-W	UL 1638, FM
RSSWP-2475W-ALW	125793	75	Clear	White	Red	N/A	WPSBB-W	UL 1971, FM

Note 1: Models available with red base, may be subject to minimum quantity order.

Note 2: Models available with no lettering, may be subject to minimum quantity order.

Note 3: UL 1638 models tested to UL 1971 standards.

Mounting Options Backboxes (ordered separately)

Indoor - E60 / Same As E50 / NA

Series	Flush Mount	Surface Mount
RSS	4" x 1-1/2", 1-gang or 2-gang box	SHBB-W
AS	4" x 1-1/2", 1-gang or 2-gang box	SHBB-W
E50	4" x 2-1/8" (with extension ring)	E509B-W
E70	4" x 2-1/8" with extension ring	SBB-W
E90	4" x 2-1/8" with extension ring	SBB-W
RSSP	4" x 1-1/2", 4" x 2 1/8"	SBL-2

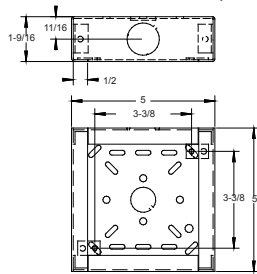
Weatherproof

Series	Flush Mount	Surface Mount	
		Exposed Conduit	Concealed Conduit
ET70WP	WFP	IOB	IOB+WP-KIT
MTWP	WFP	IOB	IOB+WP-KIT
RSSWP	WFP	WPSBB	WPSBB+WP-KIT

UL Max. Current Ratings (Maximum RMS Current Draw)											
Voltage		15cd	30cd	75cd	95cd	110cd	1575cd	115cd	177cd	135cd	185cd
RSSX-24MCC	16-33VDC	0.065	0.105	0.189	0.249	-	-	-	-	-	-
E70X-24MCC											
E90X-24MCC											
S8X-24MCC											
RSSPX-24MCC	16-33VDC	0.065	0.105	0.189	0.249	-	-	-	-	-	-
RSSWPX-2475W											
MTWPX-2475W	16-33VDC	-	-	0.138	-	-	-	-	-	-	-
RSSWPX-24MCCH											
MTWPX-24MCCH	16-33 VDC	0.060	0.092	0.165	-	0.220	-	-	-	-	-
RSSX-24MCW											
E50X-24MCW											
E70X-24MCW											
ET70X-24MCW											
ET70X-24MCWH	16-33 VDC	-	-	-	-	-	-	-	-	0.300	0.420

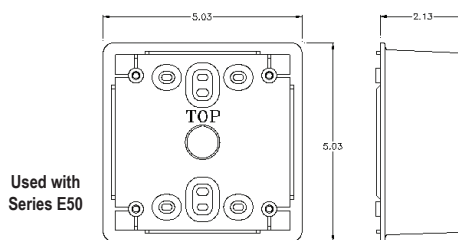
Models	Voltage (VRMS)	Reverberant dBA at 10 Feet Per UL 1480 (Rated Watts)							
		1/8W	1/4W	1/2W	1W	2W	4W	8W	
E50X-24MCC	25/70	77	79.5	82.5	85	88	-	-	
E70X-24MCC	25/70	75	78	81	84	87	-	-	
E90X-24MCC	25/70	75	78	81	84	87	-	-	
ET70WPA-2475	25/70	77	80	83	86	88	91	93	
ET70	25/70	77	80	83	86	88	91	93	
ET90	25/70	77	80	83	86	88	91	93	

(X) SHBB SQUARE, SURFACE BACKBOX
(Order Codes: Red 7254, White 7255)



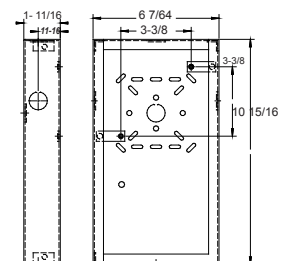
Used with Series 43T, AH, AS, MB, NH, NS, RSS

(AA) E50SB-R (Order Codes: Red 0230, White 0231)



Used with Series E50

(Z) SBL-2 BACKBOX
(Order Codes: Red 6988, White 6989)



Used with Series RSSP

For details using DSM Sync Modules refer to data sheet S3000 or Installation Instructions P83177 for DSM. For wiring information on the power supply refer to Installation Instructions P84905.

Wheelock products must be used within their published specifications and must be PROPERLY specified, applied, installed, operated, maintained and operationally tested in accordance with their installation instructions at the time of installation and at least twice a year or more often and in accordance with local, state and federal codes, regulations and laws. Specification, application, installation, operation, maintenance and testing must be performed by qualified personnel for proper operation in accordance with all of the latest National Fire Protection Association (NFPA), Underwriters' Laboratories (UL), National Electrical Code (NEC), Occupational Safety and Health Administration (OSHA), local, state, county, province, district, federal and other applicable building and fire standards, guidelines, regulations, laws and codes including, but not limited to, all appendices and amendments and the requirements of the local authority having jurisdiction (AHJ).

Architects and Engineers Specifications

The visual notification appliances shall be Wheelock colored lens strobe products or approved equals. These appliances shall be listed under UL Standard 1638. The amber lens shall be tested to meet UL 1971 light distribution.

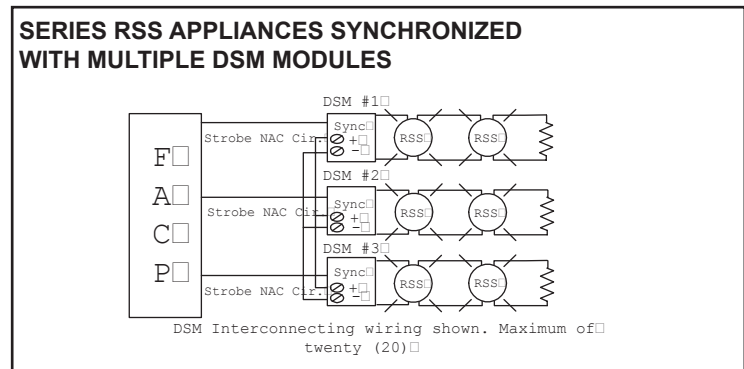
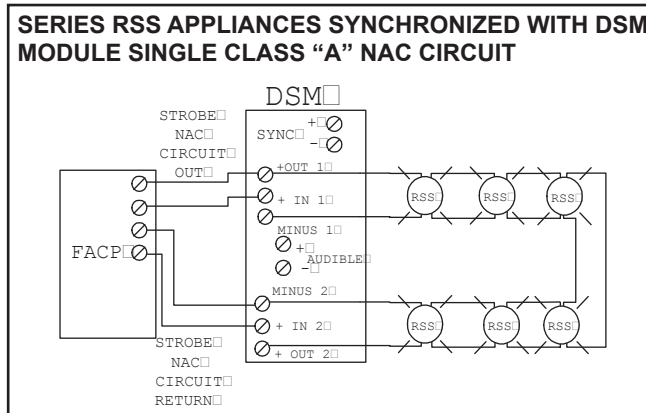
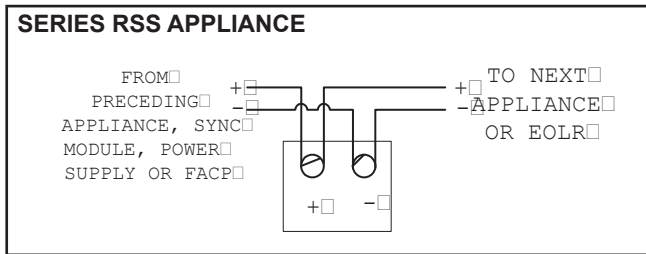
The strobe appliances shall produce a minimum flash rate of 60 flashes per minute (1 flash per second) over the Regulated Voltage Range of 16 to 33 VDC and shall incorporate a Xenon flash tube enclosed in a rugged lexan lens. Strobe intensity shall be field selectable for 4 intensity levels. The strobes shall operate over a temperature range of 32°F to 120°F (0°C to 49°C) and shall be listed for maximum humidity of 93%RH. Weatherproof strobe appliances shall operate over an extended temperature range of -31°F to +150°F (-35°C to +66°C) and maximum humidity of 95% RH.

Speaker strobes shall be able to have field selectable input voltage of 25/70 VRMS and field selectable taps of 1/8, 1/4, 1/2, 1 and 2 watts or field selectable taps of 1/8, 1/4, 1/2, 1, 2, 4, and 8 watts.

Speakers and strobes shall be capable of supervision through industry standard technique of reverse polarity voltage to ensure wiring integrity of the circuits.

NOTE: Due to continuous development of our products, specifications and offerings are subject to change without notice in accordance with Wheelock, Inc. standard terms and conditions.

Wiring Diagrams



WE ENCOURAGE AND SUPPORT NICET CERTIFICATION
3 YEAR WARRANTY

Alert 07/11

NJ Location
273 Branchport Ave.
Long Branch, NJ 07740
P: 800-631-2148
F: 732-222-8707
www.coopernotification.com