

INSTALLATION MANUAL

AV1455DN-F

AV2455DN-F

AV2456DN-F

AV3455DN-F

AV3456DN-F

AV5455DN-F



Made in the USA



MicroDome™ Recess Mount Installation

Contents

Package Contents..... 3

Warranty Information..... 3

Installation Overview 4

Installation 5

Focusing the Camera..... 6

Changing the Lens 7

Focusing Alternate Lenses 7

Removing the Bubble..... 8

Digital Input and Output 9

LED Indicators 10

Support 11

Mounting Template 12

Camera Discovery, Setup, and Configuration 13

Package Contents

Item	Description
MegaPixel Camera	MicroDome™
Mounting Kit	Ceiling template Hex key, 0.9mm
I/O Plug	4 Position External Plug
Arecont Vision CD	Manual, Warranty, Installation Software

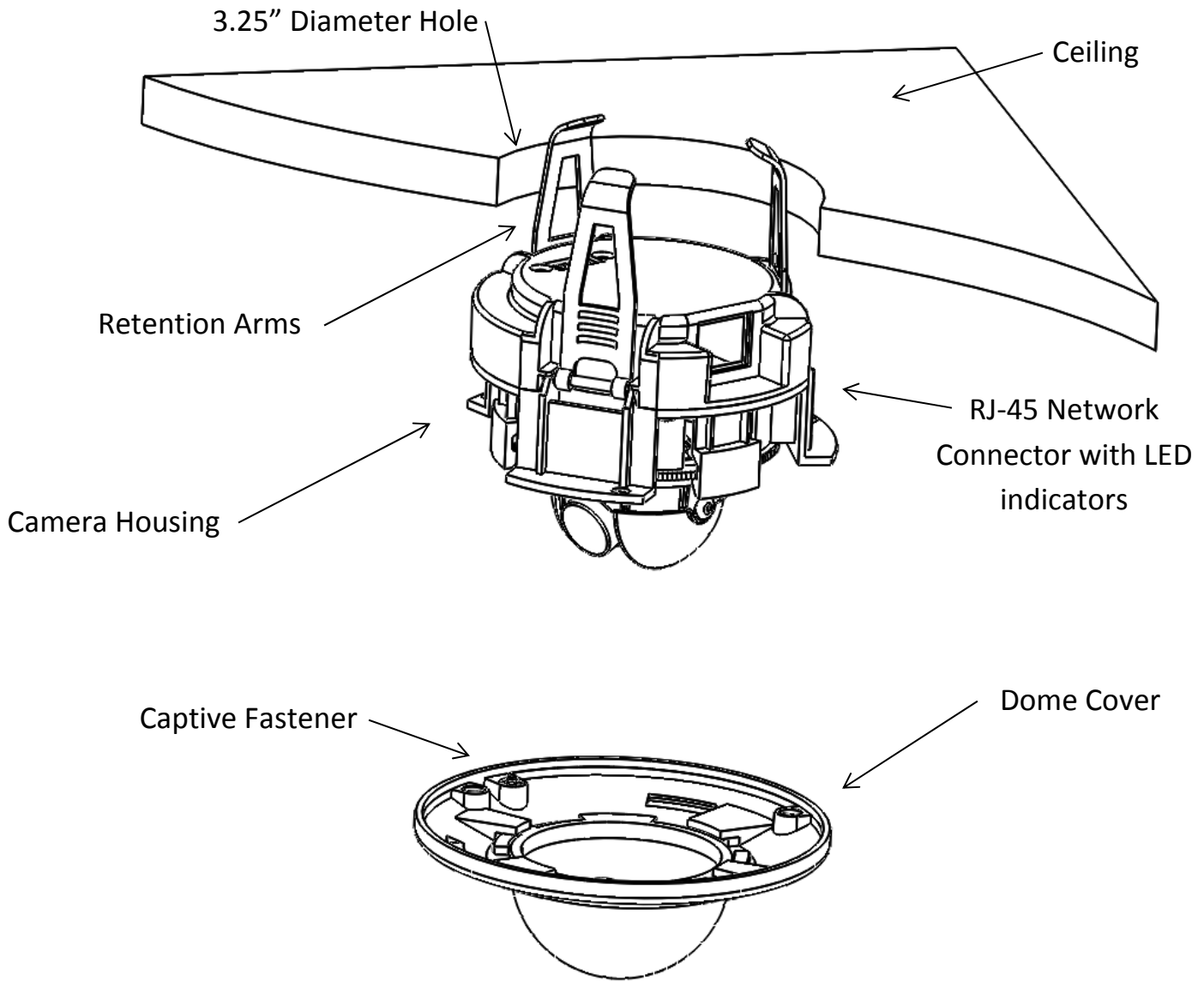
Warranty Information

3 Year Limited Warranty

ARECONT VISION warrants to Purchaser (and only Purchaser) (the “Limited Warranty”), that: (a) each Product shall be free from material defects in material and workmanship for a period of **thirty-six (36) months** from the date of shipment (the “Warranty Period”); (b) during the Warranty Period, the Products will materially conform with the specification in the applicable documentation; (c) all licensed programs accompanying the Product (the “Licensed Programs”) will materially conform with applicable specifications. Notwithstanding the preceding provisions, ARECONT VISION shall have no obligation or responsibility with respect to any Product that (i) has been modified or altered without ARECONT VISION’s written authorization; (ii) has not been used in accordance with applicable documentation; (iii) has been subjected to unusual stress, neglect, misuse, abuse, improper storage, testing or connection; or unauthorized repair; or (iv) is no longer covered under the Warranty Period. ARECONT VISION MAKE NO WARRANTIES OR CONDITIONS, EXPRESS, IMPLIED, STATUTORY OR OTHERWISE, OTHER THAN THE EXPRESS LIMITED WARRANTIES MADE BY ARECONT VISION ABOVE, AND ARECONT VISION HEREBY SPECIFICALLY DISCLAIMS ALL OTHER EXPRESS, STATUTORY AND IMPLIED WARRANTIES AND CONDITIONS, INCLUDING THE IMPLIED WARRANTIES OF MERCHANTABILITY, FITNESS FOR A PARTICULAR PURPOSE, NON-INFRINGEMENT AND THE IMPLIED CONDITION OF SATISFACTORY QUALITY. ALL LICENSED PROGRAMS ARE LICENSED ON AN “AS IS” BASIS WITHOUT WARRANTY. ARECONT VISION DOES NOT WARRANT THAT (I) THE OPERATION OF THE PRODUCTS OR PARTS WILL BE UNINTERRUPTED OR ERROR FREE; (II) THE PRODUCTS OR PARTS AND DOCUMENTATION WILL MEET THE END USERS’ REQUIREMENTS; (III) THE PRODUCTS OR PARTS WILL OPERATE IN COMBINATIONS AND CONFIGURATIONS SELECTED BY THE END USER; OTHER THAN COMBINATIONS AND CONFIGURATIONS WITH PARTS OR OTHER PRODUCTS AUTHORIZED BY ARECONT VISION OR (IV) THAT ALL LICENSED PROGRAM ERRORS WILL BE CORRECTED.

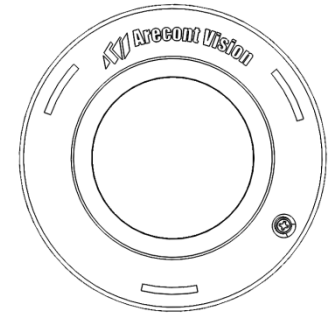
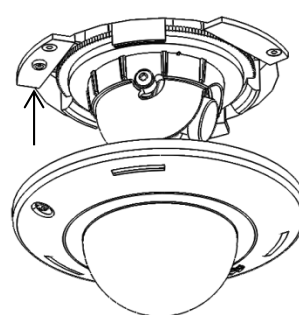
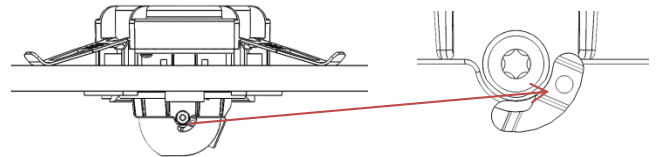
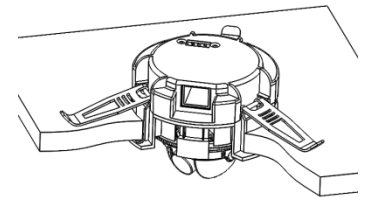
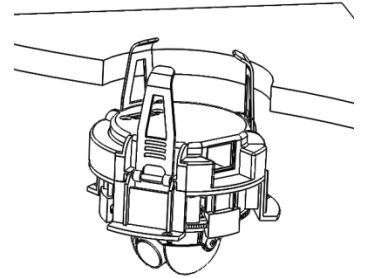
For RMA and Advance Replacement information visit ArecontVision.com

Installation Overview

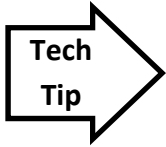
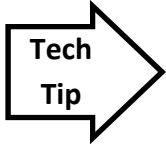


Installation

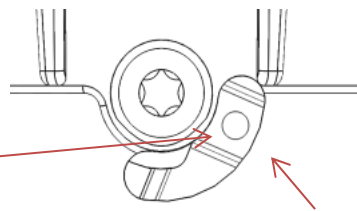
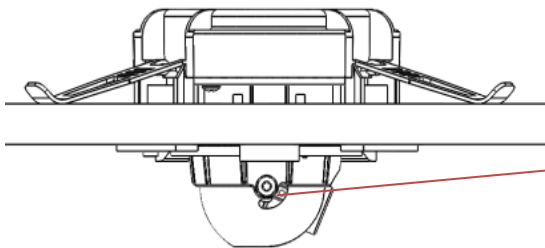
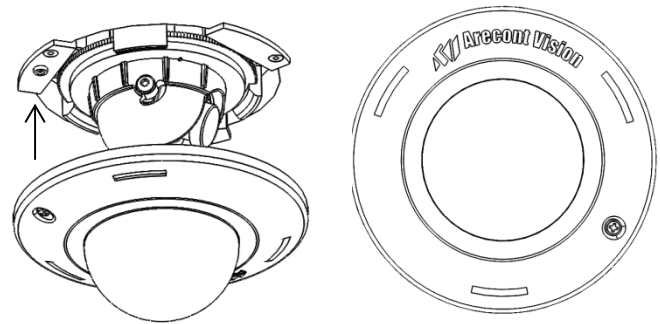
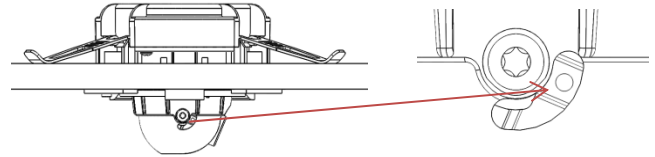
1. Cut a hole in the ceiling using the template provided on [page 12](#) (3.25 inches in diameter) to fit the camera housing.
2. Pull the network cable through the ceiling and plug it into the network connector on the camera housing (Note: this can be done at a later time if there is access to the network connector on the camera housing after installation into the ceiling).
3. Check that the indicator LED's are indicating the desired conditions (see LED Indicator table).
4. Push the three spring actuated retention arms into the upward position as shown in the diagram to the right.
5. Insert the camera housing through the ceiling until the retention arms lock into place.
6. Use Arecont Vision software AV100 or AV200 located on the CD or available for download at our website (www.arecontvision.com) for camera discovery and setup (see Instruction Manual located on CD or available on our website).
7. Adjust the pan and tilt to obtain the desired field of view (see Focusing Instructions).
8. Lens may be further secured by tightening the lens lock screw using Phillips head screwdriver.
9. Install the Dome Cover by aligning the captive fastener with the mating threaded insert on the camera housing. The cover will be held in place by magnets.
10. Tighten the captive fastener to secure the Dome Cover in place. **CAUTION:** The magnets are meant to hold the Dome Cover in place during installation. The captive fastener must be used to properly secure the Dome Cover. Failure to use the captive fastener may result in serious injury.
11. Tap Dome Cover with finger to ensure proper installation.



Focusing the Camera



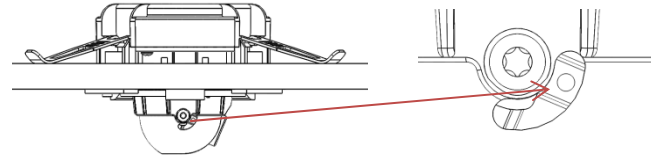
1. Open a live view of the camera from your web browser or the AV Software provided (AV100 or AV200).
2. Loosen the lens lock screw using a phillips head screwdriver (if necessary). Only do so if lens seems very tight when turning. Lock screw should be tightened enough to provide some friction against the lens to avoid focusing problems.
3. Manually rotate the lens to adjust the focus until the desired image is obtained.
4. For some lenses a focus shift will occur once the bubble is in place. Hold the bubble up to the lens when focusing to account for the focus shift or see the "Focusing Alternate Lenses" section below for further instruction.
5. Retighten the lock screw if necessary.
6. Install the Dome Cover by aligning the captive fastener with the mating threaded insert on the camera housing. The cover will be held in place by magnets.
7. Tighten the captive fastener to secure the Dome Cover in place. **CAUTION:** The magnets are meant to hold the Dome Cover in place during installation. The captive fastener must be used to properly secure the Dome Cover. Failure to use the captive fastener may result in serious injury.
8. Tap Dome Cover with finger to ensure proper installation.



Lens locking screw location

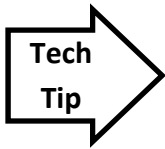
Changing the Lens

1. Remove the Dome Cover by loosening the captive fastener.
2. Loosen the lens lock screw using a phillips head screwdriver (if necessary). Only do so if lens seems very tight when turning.
3. Manually unscrew the lens, this may take several seconds.
4. Replace lens.
5. Retighten the lock screw if necessary.
6. Reinstall Dome Cover per instructions outlined above.



Focusing Alternate Lenses

When focusing the 6mm, 8mm, 12mm or 16mm lens options you will encounter a focus shift when using the bubble. To account for this follow these steps:



1. Focus the camera without the bubble.
2. Rotate the lens per the chart below. The rotation will account for most of the focus shift.
3. Put cover with bubble on. You should be close to being focused.
4. Remove cover and rotate a couple degrees at a time in either direction until you gain the desired image.

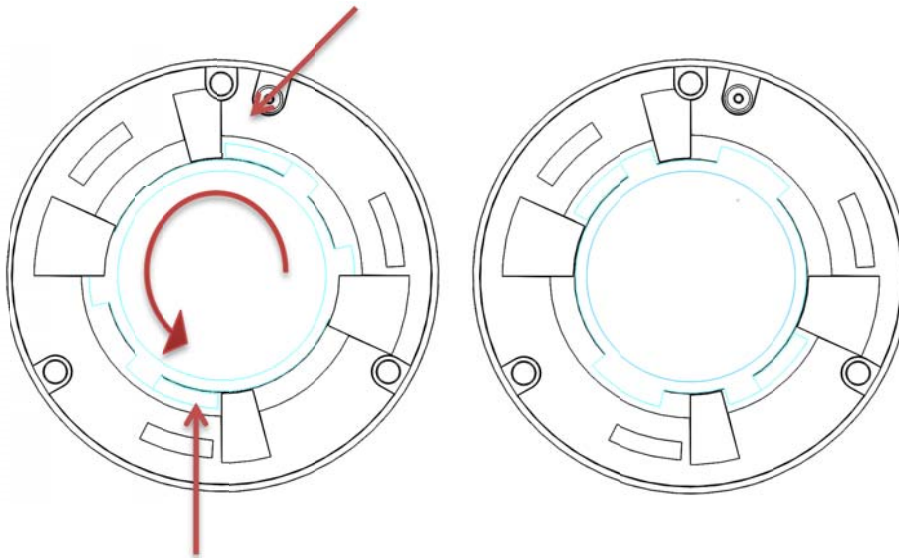
Lens		Rotation	
MPM16.0	16mm	<3/4 CCW	250°
MPM12.0	12mm	1/4 CCW	90°
MPM8.0	8mm	>1/8 CCW	60°
MPM6.0	6mm	1/8 CCW	45°

Example: Using a 16mm lens you will focus the lens without the bubble until you get the desired image. Rotate the lens almost ¾ of a turn (250°). Put the bubble on and view the image. It should be almost in focus. Remove the bubble and rotate a degree or two in one direction and view the image with the bubble on. Depending on the image you may need to adjust in the opposite direction or continue in the same direction until the desired image is obtained.

Removing the Bubble

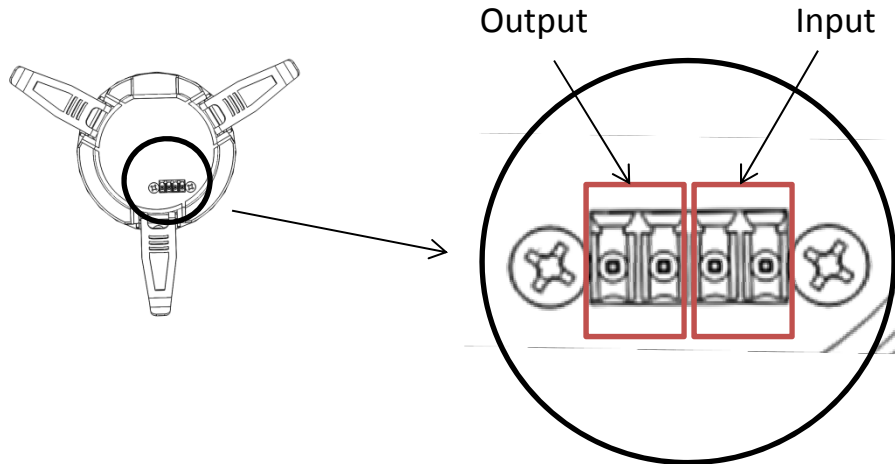
For best image quality in an indoor environment the bubble can be easily removed.

1. Press down on the 2 locking tabs.
2. Rotate bubble counterclockwise until it becomes free.



Digital Input and Output

Use 4 position connector provided in box to interface with Digital I/O on camera housing.



Electrical Characteristics		MIN	MAX
Input Voltage (V) (Measured between + and – terminals)	ON	2.9	6.3
	OFF	0	1.3
Output Current (mA) (Measured between + and – terminals) Applied Voltage Range : 0-80V	ON	-	50
	OFF	-	0.1

NOTE: Both the input and the output are electrically isolated from the rest of the camera’s electrical circuitry via general-purpose photo couplers. The input is additionally protected with a serial 250 Ohm resistor and a debouncing circuit. Duration of any input signal should be at least 5ms to comply with the requirements of the debouncing circuit.

LED Indicators

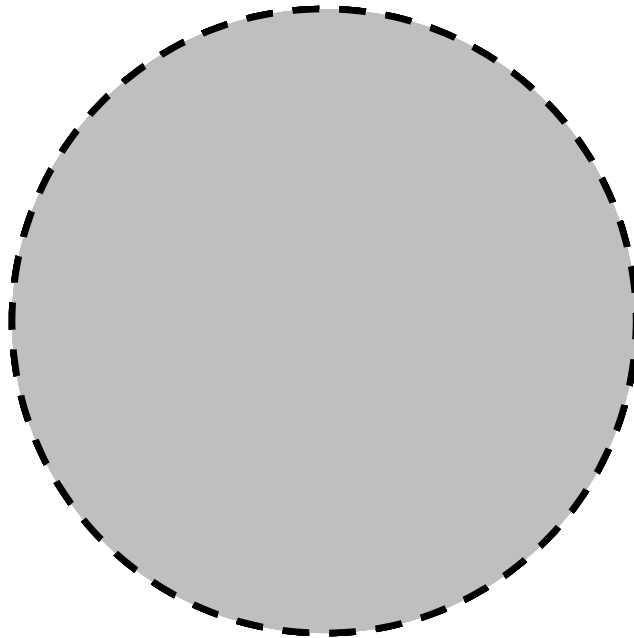
LED	Status	Description
Yellow	Flashing	Link has been established.
	Solid	Normal Operation.
	None	No connection.
Green	Flashing	Camera has been accessed. Normal operation.
	Solid	N/A
	None	No Connection.

Support

1. Arecont Vision FAQ Page Located at ArecontVision.com
2. Check the following before you call:
 - ✓ Restore camera to factory default with AV100, AV200 or the camera webpage.
 - ✓ Upgrade to the latest firmware by visiting ArecontVision.com.
 - ✓ Isolate the camera on a dedicated network and test with AV100 or AV200.
 - ✓ Swap the “troubled” camera with a known good camera to see if the problem follows the camera or stays at the location.
3. Contact Arecont Vision Technical Support one of three ways:
 1. Online Portal : Support.ArecontVision.com
 2. Phone : 1.818.937.0700 (option #1)
 3. Email : support@arecontvision.com

Mounting Template

For best results use 3.25" hole saw



Camera Discovery, Setup, and Configuration

For camera discovery and setup please use Arecont Vision software AV200 which you can find on the CD included with your camera or at:

<http://www.arecontvision.com/software.php>

The user manual for the AV200 software is included on the CD and is also located on our website.

To configure the camera use either the AV200 software or the web interface utility. The web interface can be accessed by typing the camera IP address into your web browser or by clicking on the web interface button in AV200. The user manual for our web interface is included on the CD and is also located on our website.