

MegaView® 2

1.2–10MP H.264 All-in-One Motorized P-Iris Lens Day/Night IR Indoor/Outdoor Bullet-Style IP Cameras with Optional Wide Dynamic Range (WDR) and STELLAR™ Low Light Models

Camera Models

1.2 Megapixel	1080p	1080p WDR	3 Megapixel	3 Megapixel WDR	5 Megapixel	10 Megapixel
AV1225PMIR-S	AV2225PMIR-S	AV2226PMIR-S	AV3225PMIR-S	AV3226PMIR-S	AV5225PMIR-S	AV10225PMIR-S
	AV2225PMIR-SA	AV2226PMTIR-S	AV3225PMTIR-S	AV3226PMIR-SA	AV5225PMIR-SA	AV10225PMTIR-S
	AV2225PMTIR-S			AV3226PMTIR-S	AV5225PMTIR-S	



MegaView® 2 multi-megapixel cameras provide ample resolution to zoom-in for details in live or recorded video. These indoor/outdoor all-in-one solutions integrate a 1.2-, 1080p, 3-, 5-, or 10-megapixel camera with fast frame rates and an IR corrected motorized wide angle or telephoto, P-iris lens into an IP66 environmental rated, tamper-resistant bullet-style housing. H.264 compression reduces bandwidth and storage requirements while delivering full frame rates and full resolution without sacrificing image quality.

Integrated Lens
with Remote Focus and Zoom

P-Iris Control for Best Depth of Field and Image Clarity

WDR
Wide Dynamic Range Available on AV2226 AV3226 Models

10M/30P
Dual Mode: 1080p/10MP on 10MP Models

STELLAR™
Low Light Technology on 1.2MP Models

Wide Angle or Telephoto Lens Option

IR LEDs

Weather Resistant IP66 Rated

True Day/Night with IR Cut Filter

All-in-One Bullet-Style Solution

Pixel Binning Mode on 3, 5, and 10MP Models

CorridorView™ with 90° Image Flip (-S Models)

SDHC Card Slot (-S Models)

Dual Encoder H.264/MJPEG

Casino Mode™ Maintains at Least 30fps on 1080p Models

Audio Input/Output (-A Models)

Features:

- Remote Focus/Zoom Motorized P-Iris Lens
- P-Iris Control to Get Best Depth of Field and Image Clarity
- Optional True WDR up to 100dB at Full Resolution Available on Some 1080p and 3MP Models: See Clearly in Shaded and Bright Light Conditions Simultaneously
- STELLAR™ Low Light Technology Reduces Motion Blur, Noise and Storage Requirements, While Enhancing Contrast and Allowing Color Imaging in Near Complete Darkness on 1.2MP Models
- Fast Frame Rates
- Privacy Mask, Motion Detection, Flexible Cropping, Bit Rate Control, Multi-Streaming, Forensic Zooming and Non-Integer Scaling
- Dual Encoder H.264/MJPEG
- CorridorView™ Allows 90° Image Rotation for Better Coverage in Hallways and Corridors
- Casino Mode™ Guarantees Continuous 30fps Frame Rate Required by Gaming Industry Regulations (AV2225 Models)
- Binning Mode for Strong Low Light Performance on 3MP, 5MP and 10MP Resolutions
- True Day/Night Functionality with Mechanical IR Cut Filter and IR LEDs
- Wide Angle or Telephoto Lens Options
- Outdoor Rated IP66 and Tamper-Resistant Housing
- PoE and Auxiliary Power: 12–48V DC/24V AC
- Easily Adjustable 3-Axis Wall Mount, Junction Box Included
- SDHC Card Slot for Onboard Storage (-S Models)
- PSIA Conformant
- User-Friendly Web Interface
- Made in the USA



Model Specific Features

Model	Resolution	Frame Rate	Features		
AV1225	1.2MP	42fps	–	–	STELLAR™
AV2225	1080p	31fps	–	Casino Mode™	–
AV2226	1080p	30fps	WDR	–	–
AV3225	3MP	21fps	–	–	Binning
AV3226	3MP	21fps	WDR	–	Binning
AV5225	5MP	14fps	–	–	Binning
AV10225	10MP	7fps	–	–	Binning

Options

Option	Description
PMIR	Wide Angle Lens w/ Remote Focus/Zoom, P-Iris, Day/Night, IR LEDs
PMTIR	Telephoto Lens w/ Remote Focus/Zoom, P-Iris, Day/Night, IR LEDs
-A	Audio
-S	SDHC Card Slot, CorridorView™ w/ 90° Image Flip, Non-Integer Scaling



Camera Imaging Specifications

WDR

WDR

Model	AV1225	AV2225	AV2226	AV3225	AV3226	AV5225	AV10225	
Image Sensor (CMOS)	1.2MP*	2.07MP (1080p)	2.07MP (1080p)**	3MP**	3MP	5MP	10MP	
Optical Format	1/3"	1/2.7"	1/3.2"	1/2.5"	1/3.2"	1/2.5"	1/2.3"	
Pixel Pitch	3.75µm	3µm	2.2µm	2.2µm	2.2µm	2.2µm	1.67µm	
Minimum Illumination	Color (Day Mode)	0.02 Lux	0.1 Lux	0.3 Lux	0.3 Lux	0.3 Lux	0.42 Lux	
	Color Binning (Day Mode)	-	-	-	0.15 Lux	0.15 Lux	0.21 Lux	
	B/W (Night Mode)	0.002 Lux, 0 Lux, IR sensitive	0 Lux, IR sensitive	0 Lux, IR sensitive	0 Lux, IR sensitive	0 Lux, IR sensitive	0 Lux, IR sensitive	
Full FOV Resolution	1280 H x 960 V	1920 H x 1080 V	1920 H x 1080 V	2048 H x 1536 V	2048 H x 1536 V	2592 H x 1944 V	3648 H x 2752 V	
1/4 Resolution	640 H x 480 V	960 H x 540 V	960 H x 540 V	1024 H x 768 V	1024 H x 768 V	1296 H x 972 V	1824 H x 1376 V	
Scaling	-	See: Scaling Resolution Chart	See: Scaling Resolution Chart	See: Scaling Resolution Chart	See: Scaling Resolution Chart	See: Scaling Resolution Chart	See: Scaling Resolution Chart	
Dynamic Range	83.5dB	69dB	WDR up to 100dB	70.1dB	WDR up to 100dB	70.1dB	57.2dB	
Maximum SNR	54dB	45dB	49dB	45dB	49dB	45dB	40dB	
Frame Rates	At Max Resolution	37fps (1280 x 960)	31fps (1920 x 1080)	30fps (1920 x 1080)	21fps (2048 x 1536)	21fps (2048 x 1536)	14fps (2592 x 1944)	7fps (3648 x 2752)
	Cropped	-	42fps (1280 x 1024)	41fps (1280 x 1024)	29fps (1920 x 1080) 41fps (1280 x 1024)	30fps (1920 x 1080) 41fps (1280 x 1024)	21fps (2048 x 1536) 29fps (1920 x 1080) 41fps (1280 x 1024)	12fps (2592 x 1944) 18fps (2048 x 1536) 25fps (1920 x 1080) 37fps (1280 x 1024)
	Binning Mode	-	-	-	46fps (1024 x 768) 64fps (960 x 540)	21fps (1024 x 768) 27fps (800 x 600) 31fps (960 x 540) 32fps (640 x 512)	34fps (1296 x 972) 46fps (1024 x 768) 64fps (960 x 540)	29fps (1920 x 1080) 26fps (1824 x 1376) 43fps (1296 x 972) 54fps (1024 x 768)
Lens	Wide Angle Motorized (PMIR Models)	3-9mm, F1.2, RZ, RF, P-iris H-FOV = 92°-31°	3-9mm, 1/2.7", F1.2, RZ, RF, P-iris H-FOV = 115°-37°	3-9mm, 1/2.7", F1.2, RZ, RF, P-iris H-FOV = 82°-27°	3-9mm, 1/2.7", F1.2, RZ, RF, P-iris H-FOV = 87°-29°	3-9mm, 1/2.7", F1.2, RZ, RF, P-iris H-FOV = 87°-29°	3.6-9mm, 1/2.5", F1.3, RZ, RF, P-iris H-FOV = 96°-36°	4.7-9mm, 1/2.3", F1.5, RZ, RF, P-iris H-FOV = 78.8°-37°
	Telephoto Motorized (PMTIR Models)	-	8-22mm, 1/2.7", F1.6, RZ, RF, P-iris H-FOV = 42°-16°	8-22mm, 1/2.7", F1.6, RZ, RF, P-iris H-FOV = 30°-12°	8-22mm, 1/2.7", F1.6, RZ, RF, P-iris H-FOV = 28°-12°	8-22mm, 1/2.7", F1.6, RZ, RF, P-iris H-FOV = 32°-12°	9-22mm, 1/2.5", F2.0, RZ, RF, P-iris H-FOV = 38°-16°	12-22mm, 1/2.3", F2.2, RZ, RF, P-iris H-FOV = 30°-17°

* STELLAR™ Model ** Effective

Scaling Resolution Chart

Scaled Resolution	H	V	Pixel Count
720p	1280	720	921600
XVGA	1024	768	786432
DVGA (16:9)	1136	640	727040
DVGA (3:2)	960	640	614400
SVGA	800	600	480000
D1 (PAL)	720	576	414720
4CIF (PAL)	704	576	405504
D1 (NTSC)	720	480	345600
4CIF (NTSC)	704	480	337920
VGA	640	480	307200
2CIF (PAL)	704	288	202752
HVGA (4:3)	480	360	172800
2CIF (NTSC)	704	240	168960
HVGA (8:3)	640	240	153600
HVGA (3:2)	480	320	153600
HVGA (16:9)	480	272	130560
CIF (PAL)	352	288	101376
CIF (NTSC)	352	240	84480
QVGA (SIF)	320	240	76800
QCIF (PAL)	176	144	25344
QCIF (NTSC)	176	120	21120
SQCIF	128	96	12288

Data Transmission

Compression Type	H.264 (MPEG-4, Part 10)/Motion JPEG 21 levels of quality
Protocols	RTSP, RTP/TCP, RTP/UDP, HTTP, DHCR, TFTP
Network Interface	100Base-T Ethernet Network Interface
Multi-Streaming	8 non-identical streams

Programmability

Remote focus, remote zoom and P-iris Control
Motion detection and privacy mask with up to 1024 detection zones
Non-integer scaling down to 128x96
Auto adjustment between WDR and LDR modes (WDR models only)
Programmable shutter speed to help control motion blur
Pixel binning mode (3, 5 and 10MP)
Casino Mode™ maintains 30fps (AV2225 model)
Flexible Cropping (resolution windowing down to 1x1 pixel for JPEG and 2x2 pixels for H.264)
Low light noise filter control
Bit rate and bandwidth limitation control
Backlight compensation and multi-matrix white balance
50/60Hz selectable flicker control
Electronic pan, tilt, zoom (PTZ)
180° image flip or CorridorView™ (90°, 180° and 270° image rotation) on -S models
Programmable resolution, brightness, saturation, gamma, sharpness, tint

Compliance	Industry Standard	PSIA Conformant
	Listings	UL (CB)
	FCC Compliance	47 CFR 15 Class A
	Environmental	RoHS, REACH, WEEE
	Markings	(CE) EN55022 Class A, EN55024, EN61000-3-2, EN61000-3-3, EN60950-1
	Mechanical	IP66 (EN60529)

Environmental	Operating temperature	-40°C (-40°F) to +50°C (122°F)
	Stable image temperature	0°C (32°F) to +50°C (122°F)
	Storage temperature	-40°C (-40°F) to +60°C (140°F)
	Humidity	0% to 90% (non-condensing)

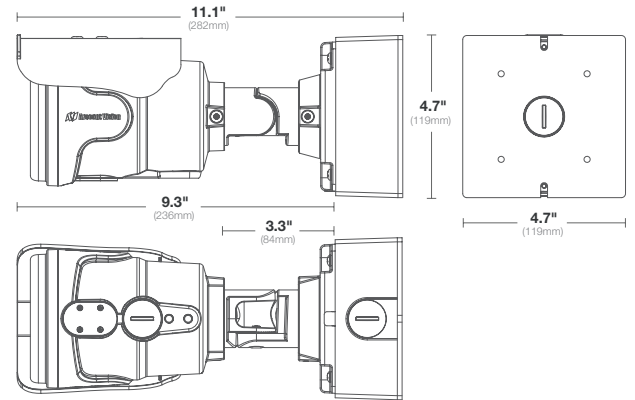
Electrical	Alarm Input/Output	General purpose opto-coupled input
	Power Over Ethernet	PoE 802.3af, Class 2
	Auxiliary Power	12-48V DC, 24V AC

Max Power Consumption (Watts DC power)	Model	Watts
	AV1225/AV2225	11.3
	AV2226/AV3226	12.4
	AV3225/AV5225	11.5
	AV10225	11.8

IR Illuminator	PMIR	48 pcs 850nm LEDs / 30 meter IR distance (max) / 50° IR angle
	PMTIR	4 pcs 850nm LEDs / 60 meter IR distance (max) / 33° IR angle
	Total PoE Solution (No external power requirement)	

Audio Electrical (-A models only)	Streaming	Two-way
	Compression	G.711 PCM 8 kHz
	Input/output	Microphone in / line output

Mechanical	Casing	Die-cast aluminum cylindrical (Bullet-style) housing	
		IP66 weather proof standard	
		Tamper resistant	
	Mount	Easily adjustable 3-axis with 360° pan, 90° tilt and 360° z-axis	
	Total Unit Dimensions	Unit	4.7" H (119mm) x 4.7" W (119mm) x 11.11" D (282mm)
		Packaged	7.1" H (180mm) x 7.1" W (180mm) x 13.5" D (342.9mm)
	Weight	Unit	3.9 lb (1.76 kg)
		Packaged	5.2 lb (2.35 kg)
	On Board Storage	SDHC slot up to 32GB (Card not included)	



Accessories	SV-EBA	Electrical Box Adapter
	AV-PMA	Pole Mount Adapter
	AV-CRMA	Corner Mount Adapter