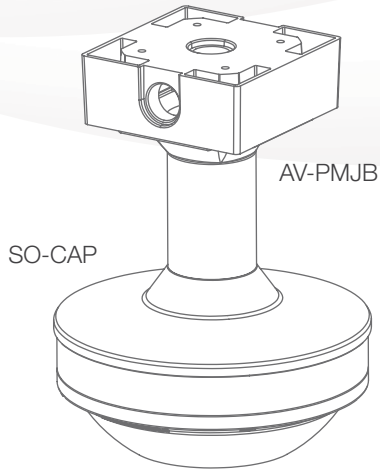
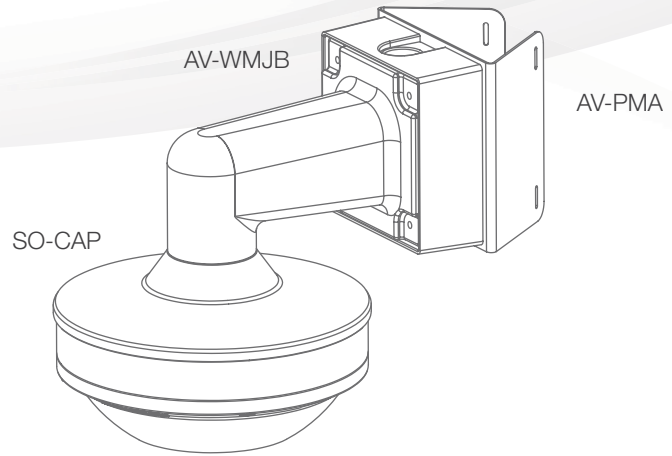


# SurroundVideo® Omni Accessories

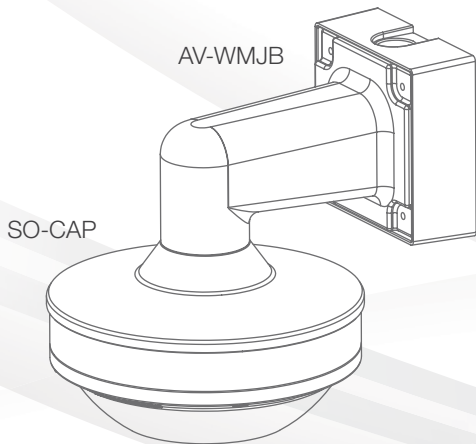
Accessories for Indoor/Outdoor Ceiling, Wall, Pole and Corner Mounting Solutions



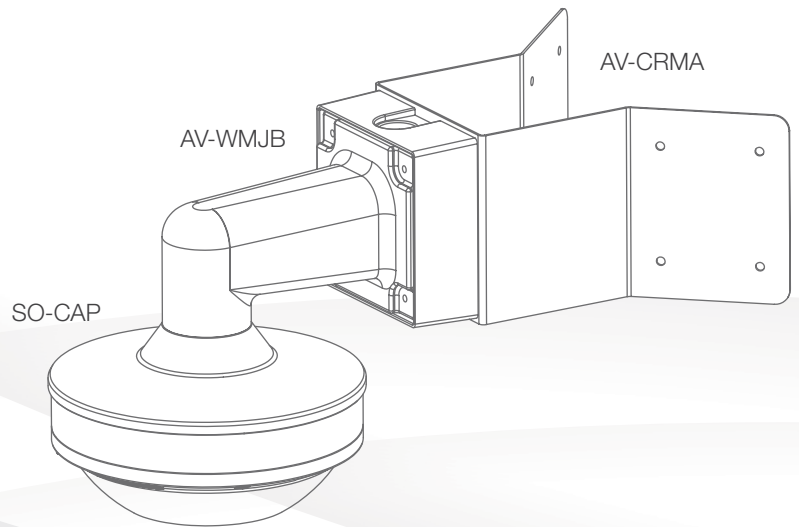
**Ceiling Mount Configuration**



**Wall Mount Configuration with Pole Mount Adapter**



**Wall Mount Configuration**



**Wall Mount Configuration with Corner Mount Adapter**

**Model Compatibility**

12 Megapixel	20 Megapixel
AV12176DN-NL	AV20175DN-NL
AV12176DN-28	AV20175DN-28
AV12176DN-08	AV20175DN-08



Multi-Sensor Omni

## AV-PMJB

Pendant Mount Bracket with Junction Box

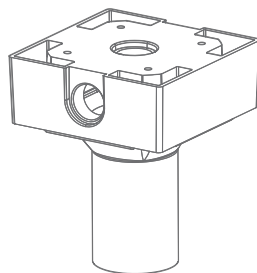
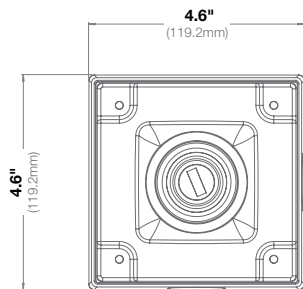
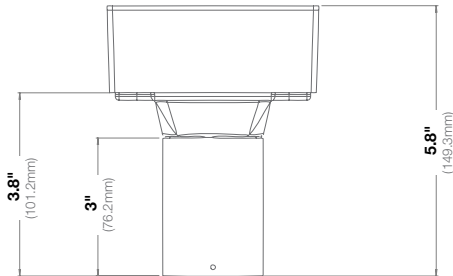


**Features:**

- Easy Installation and Superior Design
- Heavy Duty Enclosure Protection for Applications in Harsh Environments
- Di-Cast Aluminum is Resistant to Impact and Salt Damage

<b>Compatibility</b>	Compatible with 1.5" NPT Female
	Works with SurroundVideo® Omni Series

<b>Mechanical</b>	<b>Casing Material</b>	Aluminum
	<b>Color</b>	Ivory (Pantone cool gray 1c)
	<b>Dimensions</b>	5.87" H (149.31mm) x 4.69" W (119.20mm)
	<b>Weight</b>	<b>w/o Camera</b> 2.12lbs (0.96kg)



## AV-WMJB

Wall Mount Bracket with Junction Box

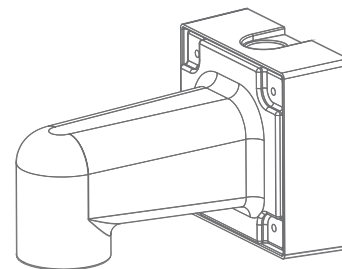
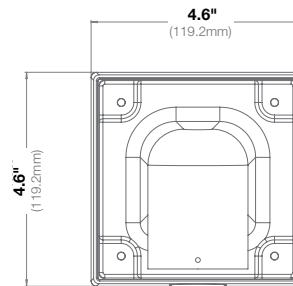
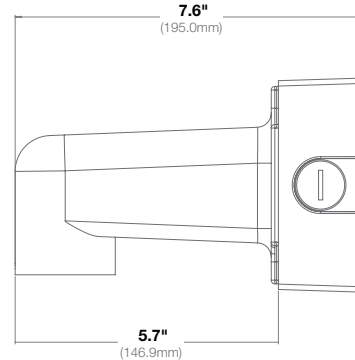


**Features:**

- Easy Installation and Superior Design
- Heavy Duty Enclosure Protection for Applications in Harsh Environments
- Di-Cast Aluminum is Resistant to Impact and Salt Damage

<b>Compatibility</b>	Compatible with 1.5" NPT Female
	Works with SurroundVideo® Omni Series

<b>Mechanical</b>	<b>Casing Material</b>	Aluminum
	<b>Color</b>	Ivory (Pantone cool gray 1c)
	<b>Dimensions</b>	7.68" L (195.05mm) x 4.69" W (119.20mm)
	<b>Weight</b>	<b>w/o Camera</b> 2.49lbs (1.13kg)



## SO-CAP

Mounting Cap for SurroundVideo® Omni

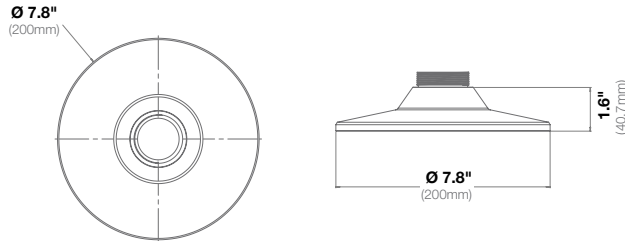


### Features:

- Easy Installation and Superior Design
- Heavy Duty Enclosure Protection for Applications in Harsh Environments
- Di-Cast Aluminum is Resistant to Impact and Salt Damage

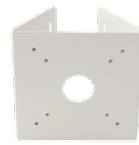
<b>Compatibility</b>	Compatible with 1.5" NPT Male
	Works with SurroundVideo® Omni Series

<b>Mechanical</b>	<b>Casing Material</b>	Aluminum
	<b>Color</b>	Ivory (Pantone cool gray 1c)
	<b>Dimensions</b>	Ø 7.87" (200mm) x 1.6" H (40.79mm)
	<b>Weight</b>	<b>w/o Camera</b> 0.85lbs (0.39kg)



## AV-PMA

Pole Mount Adapter

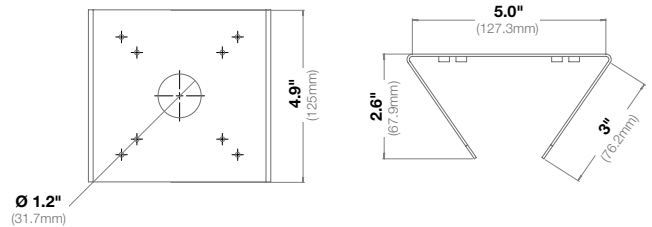


### Features:

- Easy Installation and Superior Design
- Heavy Duty Enclosure Protection for Applications in Harsh Environments
- Di-Cast Aluminum is Resistant to Impact and Salt Damage

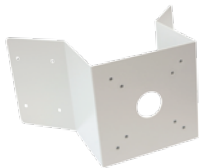
<b>Compatibility</b>	Works with AV-PMJB and AV-WMJB
----------------------	--------------------------------

<b>Mechanical</b>	<b>Casing Material</b>	Aluminum
	<b>Color</b>	Ivory (Pantone cool gray 1c)
	<b>Dimensions</b>	5.01" W (127.32mm) x 4.92" H (125mm)
	<b>Weight</b>	<b>w/o Camera</b> 0.32lbs (0.15kg)



## AV-CRMA

Corner Mount Adapter

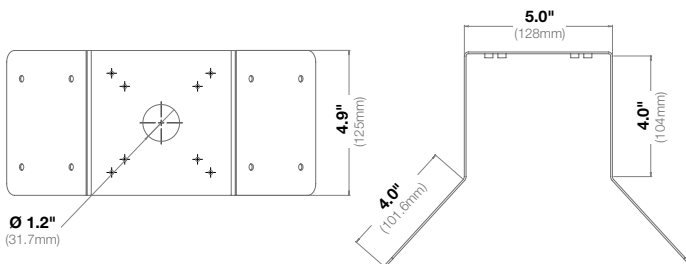


### Features:

- Easy Installation and Superior Design
- Heavy Duty Enclosure Protection for Applications in Harsh Environments
- Di-Cast Aluminum is Resistant to Impact and Salt Damage

<b>Compatibility</b>	Works with AV-PMJB and AV-WMJB
----------------------	--------------------------------

<b>Mechanical</b>	<b>Casing Material</b>	Aluminum
	<b>Color</b>	Ivory (Pantone cool gray 1c)
	<b>Dimensions</b>	13.04" W (331.25mm) x 4.92" H (125mm)
	<b>Weight</b>	<b>w/o Camera</b> 0.59lbs (0.27kg)



## SV-EBA

Electrical Box Adapter



### Features:

- Easy Installation and Superior Design
- Heavy Duty Enclosure Protection for Applications in Harsh Environments
- Di-Cast Aluminum is Resistant to Impact and Salt Damage

<b>Compatibility</b>	Compatible with Common Electrical Box, such as single gang box, double gang box or 4" square electrical box, etc.
----------------------	---

<b>Mechanical</b>	<b>Casing Material</b>	Aluminum
	<b>Color</b>	Ivory (Pantone cool gray 1c)
	<b>Dimensions</b>	4.7" L (120mm) x 4.7" W (120mm) x 0.15" H (4mm)
	<b>Weight</b>	<b>w/o Camera</b> 0.3lbs (0.13kg)

