



PRODUCT FEATURES

- Dual voltage 6 Amp 12 or 24VDC field selectable continuous output
- Tolerates brownout or overvoltage input $\pm 15\%$ of nominal voltage
- Thermal shutdown protection with auto restart
- Circuit breaker protects against overcurrent and reverse battery faults
- Dedicated battery charging circuit prevents overvoltage on locking devices
- Expandable up to 16 outputs; Class 2 power limited outputs available
- Available with a single relay fire trigger or individually fire trigger relayed outputs
- MagnaCare® Lifetime Replacement No Fault Warranty

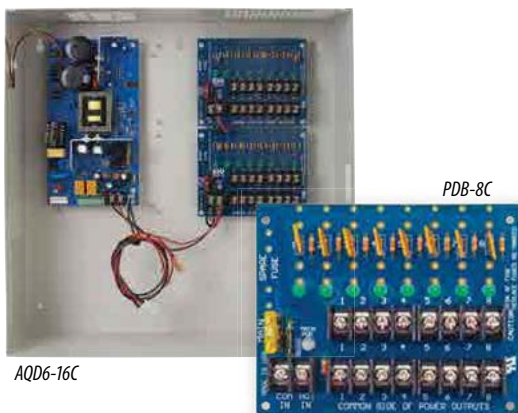
SPECIFICATIONS

- UL 294 (Rev. 6) Listed
 - UL 603 Listed
 - ULC S318 Listed
 - UL 1481 Listed
 - RoHS Lead Free
- Electrical:**
- 6 Amp @ 12VDC or 24VDC output
 - 115 or 230VAC/50 or 60Hz input
 - Supports up to two (2) sealed gel, AGM or wet lead acid batteries
 - High efficiency: 90% @ 24V output, full load
 - Output voltage ripple at full load 240mV p-p

Operating Temperature:
-4 to +122F [-20 to +50C]

Dimensions:
14" x 14" x 4-3/4" enclosure

Shipping Weight:
12.7lbs [5.76kg]



AQD6 SERIES

Switching Power Supply

6 Amp / 12 or 24VDC Dual Voltage

The Securiton AQD6 Series of switching power supplies are dual voltage supervised units with a battery charger designed to power magnetic locks, electric strikes, card readers, sensors, access control boards and other devices in access control systems. The AQD6 Series can also be used to power DC cameras and other DC locking equipment.

These units provide field selectable 6 Amps at 12 or 24VDC with up to 16 independently controlled power limited outputs. The AQD6 is Securiton's first power supply series that meets UL 294 (6th Edition).

Product Number	Amps	Outputs	Class 2 Power Limited	Fuse Rating	Fuse Type	# of Relays	Relay Type	UL294	UL603	ULCS18-96	UL1481
AQD6	6	1	N	-	-	-	-	L	L	L	L
AQD6-8F	6	8	Y	2A	Fuse	0	-	L	L	L	L
AQD6-8C	6	8	Y	1.4A	PTC	0	-	L	L	L	L
AQD6-8F8R	6	8	Y	2A	Fuse	8	Access control w/ Fire	L	L	L	L
AQD6-8C1R	6	8	Y	1.04A	PTC	1	Access control w/ Fire	L	L	L	L
AQD6-16F	6	16	Y	2A	Fuse	0	-	L	L	L	L
AQD6-16C	6	16	Y	1.4A	PTC	0	-	L	L	L	L

L: Listed R: Recognized



AMPERAGE



BATTERY BACKUP



DUAL VOLTAGE



SUPERVISION

