

FIRE·LITE® ALARMS by Honeywell

ANN-I/O LED I/O Module Installation Instructions

The ANN-I/O provides a way to customize your remote annunciator when used with a compatible addressable fire alarm control panel (FACP). This document is for quick reference. For more detailed information, refer to the FACP installation manual.

Note: Installation and wiring of this device must be done in accordance with NFPA 72 and local ordinances.

Specifications

Table 1: ANN-I/O Specifications

Max. ANN-BUS Voltage		24 VDC
Max. Current	Alarm	200 mA
	Standby	35 mA
	Each LED	10 mA
Operating Temperature		0° to 49° C (32° to 120° F)
Max Wiring Distance from FACP		6,000 ft (1,829 m)
Indoor Use Only		

Mounting the ANN-I/O Enclosure

The ANN-I/O comes in a plastic enclosure which must be mounted inside the annunciator or accessory cabinet.

To mount the ANN-I/O plastic enclosure into the appropriate cabinet:

1. Remove the ANN-I/O cover. Use a small screw driver if necessary.
2. Remove the ANN-I/O circuit board from the base by pushing outward on the base snap retaining tabs and lifting the circuit board out.

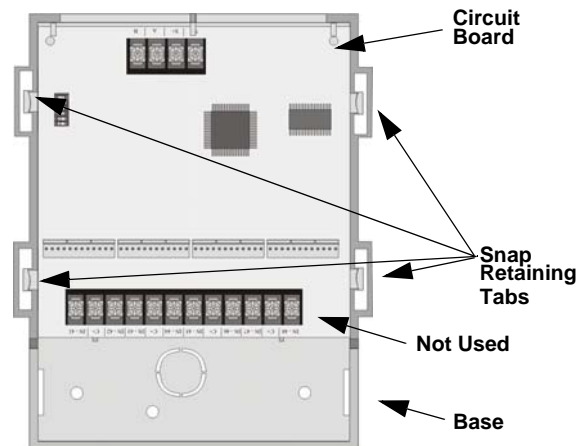


Figure 1: ANN-I/O Circuit Board And Plastic Base

3. Mount the plastic base into the appropriate accessory cabinet.
4. Replace the circuit board in the plastic base.

Note: It may be necessary to connect the wiring to the circuit board before the board is replaced into the base.

Wiring the ANN-I/O to the FACP

Terminate the wiring as shown in Figure 2 and Table 2.

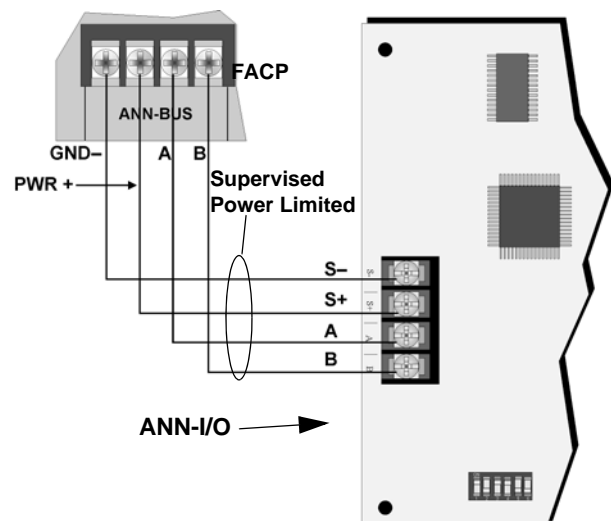


Figure 2: ANN-I/O Connection to the FACP

Table 2: ANN-I/O to FACP Connections

ANN-I/O Terminals	FACP Terminals
B	B
A	A
S+	PWR+
S-	GND –

Wiring the LED Outputs

The ANN-I/O has four 12-pin connectors (P/N 130092) used to connect LEDs. All LED outputs use a common pin on each connector for LED power (see Figure 3). Current is limited through each output so no series resistor is required.

Wire the LED outputs as shown in Figure 3.

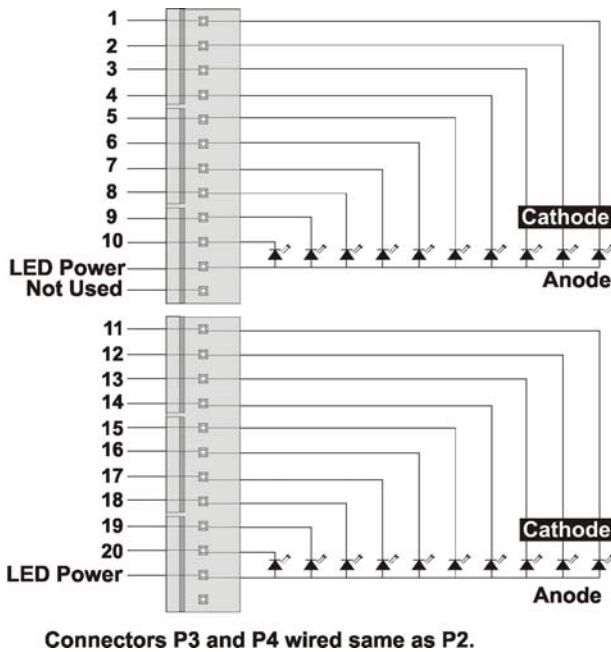
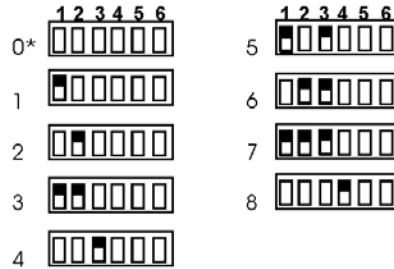


Figure 3: ANN-I/O LED Outputs

Setting DIP Switches

Each ANN-I/O requires a unique ID number which is set using the DIP switches on the ANN-I/O circuit board. See Figure 4 for DIP switch settings.

ON
 OFF Number Next to DIP Switch is the Corresponding ID Number



*Note: Address 0 cannot be used

Figure 4: DIP Switch Settings



One Fire Lite Place
 Northford, CT 06472
 USA TEL: (203) 484-7161
 www.firelite.com