



T2428175C - AC Power Supply

Specifications:

Input:

- 120VAC 50/60Hz, 2 amp.

Output:

- 24VAC @ 7.25 amp or 28VAC @ 6.25 amp supply current.
- In-line fuse is rated @ 3.5 amp/250V.
220VAC models are available upon request.

Installation Instructions:

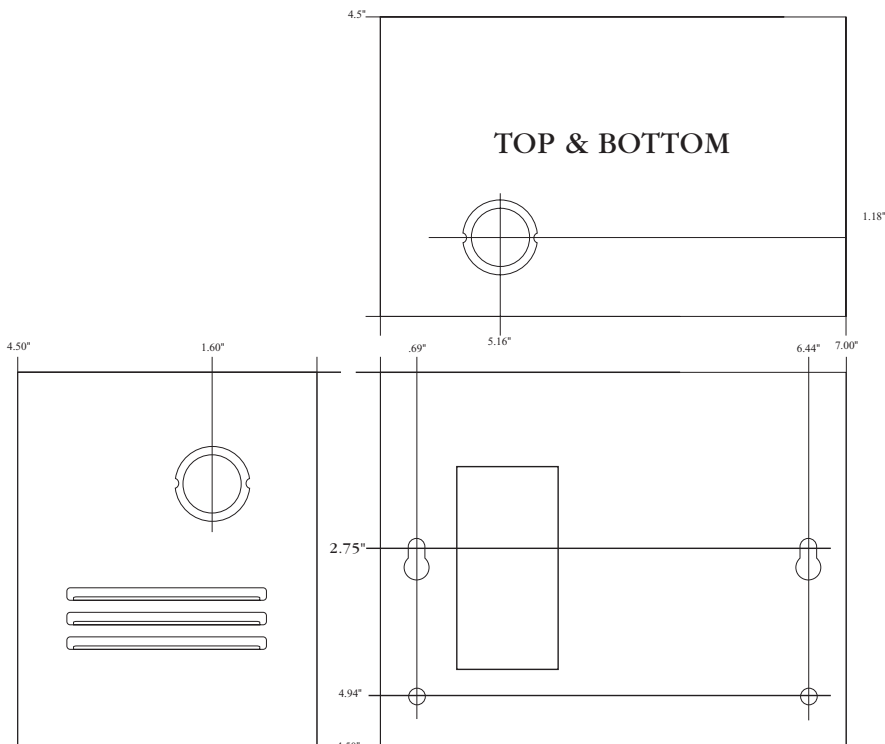
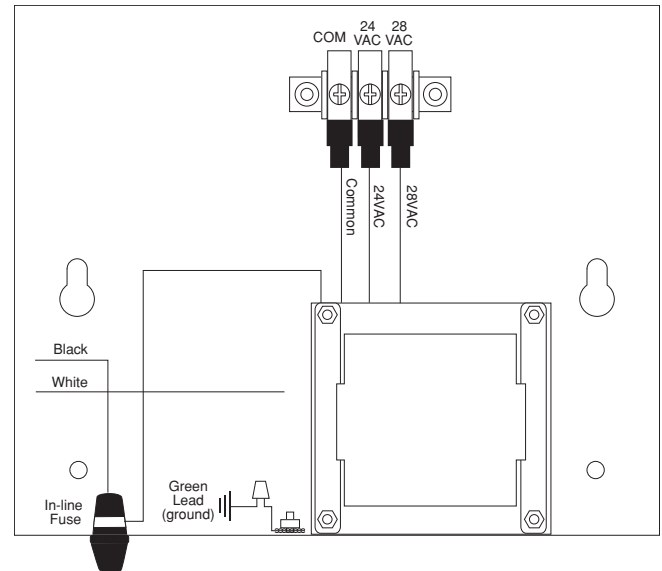
1. Mount T2428175C in desired location.
2. Connect the AC (120VAC 50/60 Hz) to the black and white flying leads of the transformer (Fig. 1).
3. Measure output voltage before connecting device.
This helps avoid potential damage.

WARNING: This installation should be made by qualified service personnel and should conform to all local codes and in accordance with the National Electrical Codes.

Enclosure Dimensions:

5.75"H x 7"W x 4.5"D

Low Voltage AC Output



Altronix is not responsible for any typographical errors. Product specifications are subject to change without notice.

