

## Specifications:

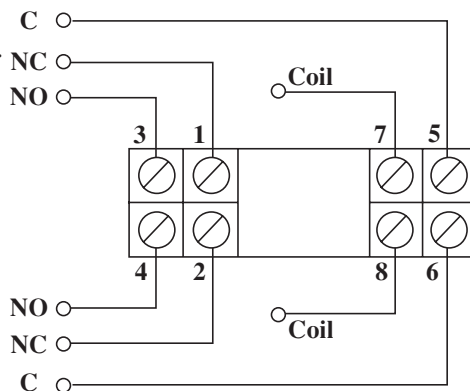
- UL and cUL Recognized.
- CE - European Conformity.
- 120VAC operation.
- Current draw: 12mA.
- 10 amp/220VAC or 28VAC DPDT contacts.
- DIN Rail mountable.



Dimensions (L x W x H): 2.7" x 1.375" x 2.375" (68.58mm x 34.93mm x 60.32mm)

## Installation Instructions:

1. Mount RAC120 in the desired location.
2. Plug-in relay into base.
3. Relay will activate upon applying 120VAC to the terminals marked [7 and 8].
4. Use output contacts to make and break load circuits.



Altronix is not responsible for any typographical errors. Product specifications are subject to change without notice.