

## Overview:

The PD8CB power distribution module converts a single AC or DC output into eight (8) PTC protected outputs.

## Specifications:

### Input:

- 28VAC or 28VDC up to 14 amp.

### Output:

- Eight (8) PTC protected outputs (PTC's are rated @ 2.5 amp).
- Surge suppression.

### Visual Indicators:

- Power output LED indicator.

### Additional Features:

- Power ON / OFF switch.

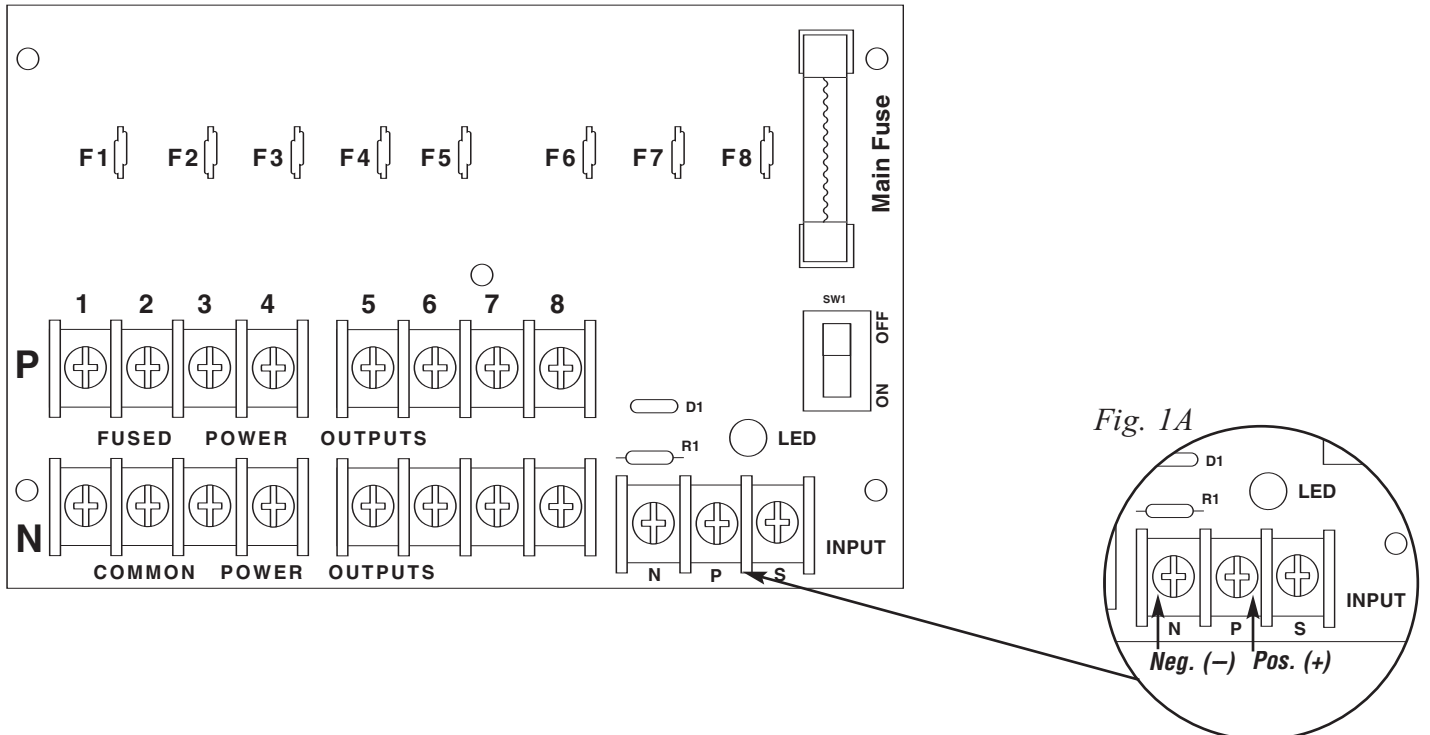
### Board Dimensions (approximate):

5.25"L x 3.25"W x 1"H

## Installation Instructions:

1. Mount PD8CB in desired location/enclosure.
2. Connect the desired power supply output to terminals marked [INPUT] (*Fig. 1A*).
3. If using DC voltage, left terminal is NEG. (-) and right terminal is POS. (+) (*Fig. 1A*).
4. Measure output voltage before connecting devices. This helps avoid potential damage.  
All terminals with common suffix P 1P, 2P..." are same polarity.
5. Set power switch [SW1] to the OFF position.
6. Connect each device to terminal pairs 1 to 8 marked [1P-1N thru 8P - 8N].
7. Set power switch [SW1] to the ON position.

Fig. 1



Altronix is not responsible for any typographical errors. Product specifications are subject to change without notice.